

1673956-1



Modular Jack Lacing Fixture for SL Tool

OBSOLETE

This product was discontinued on: June 19, 2019

Replaced By:

1673956-6

Modular Jack Lacing Fixture for Jack Termination Tool

Product Classification

Regional Availability Australia/New Zealand | EMEA | Latin America | North America

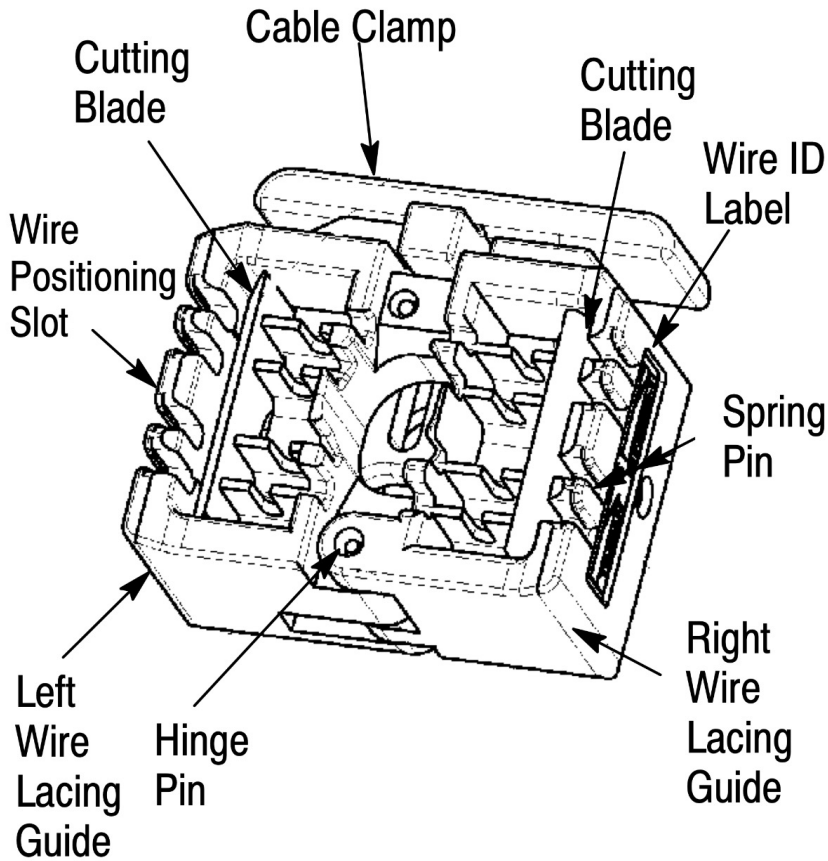
Portfolio CommScope®

Product Type Modular jack tooling

General Specifications

Application For use with SL Series outlets

Outline Drawing



Environmental Specifications

Environmental Space Indoor

Packaging and Weights

Packaging quantity 1

Packaging Type Box | Carton

Regulatory Compliance/Certifications

Agency

REACH-SVHC

Classification

Compliant as per SVHC revision on www.commscope.com/ProductCompliance