

E15Z01P61



Quad Band TMA, 850/900/1800/2100, 3 devices - 2 subunits each

- Industry leading PIM performance
- Designed to boost UP-Link Coverage and KPIs
- 2 input ports and 4 output ports
- TMA is operating in AISG & CWA mode, Alarm Current consumption CWA mode 190 mA

OBSOLETE

This product was discontinued on: June 30, 2022

Product Classification

Product Type 1-BTS:2-ANT (Diplex) | Tower mounted amplifier

General Specifications

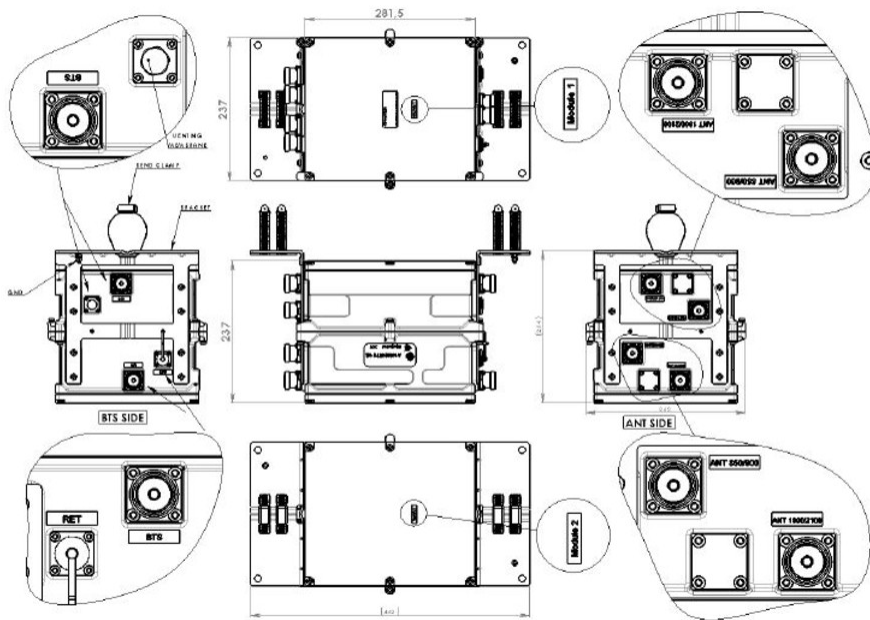
Color Gray
Modularity 2-Twin
Mounting Pole | Wall
Mounting Pipe Hardware Band clamps (2)
RF Connector Interface 7-16 DIN Female

Dimensions

Height 281.5 mm | 11.083 in
Width 237 mm | 9.331 in
Depth 237 mm | 9.331 in
Mounting Pipe Diameter Range 42.6–122 mm

Outline Drawing

E15Z01P61



Electrical Specifications

License Band, Band Pass CEL 850 | CEL 900 | DCS 1800 | IMT 2100
License Band, LNA DCS 1800 | IMT 2100 | IMT 2600

Electrical Specifications, dc Power/Alarm

dc Switching/Redundancy Yes
Lightning Surge Current 10 kA
Lightning Surge Current Waveform 8/20 waveform
Alarm Current, CWA Mode 190 mA ±15 mA

Electrical Specifications, AISG

AISG Connector 8-pin DIN Female
AISG Connector Standard IEC 60130-9
Protocol AISG 2.0
Voltage, AISG Mode 7–30 Vdc

Electrical Specifications

Sub-module	1 2	1 2	1 2	1 2
Branch	1	2	3	4
Port Designation	ANT	ANT	ANT	ANT

E15Z01P61

License Band	CEL 850, Band Pass	CEL 900, Band Pass	DCS 1800, Band Pass	IMT 2100, Band Pass
Return Loss, typical, dB	20	20	20	20
Return Loss - Bypass Mode, typical, dB	16	16	16	16

Electrical Specifications Rx (Uplink)

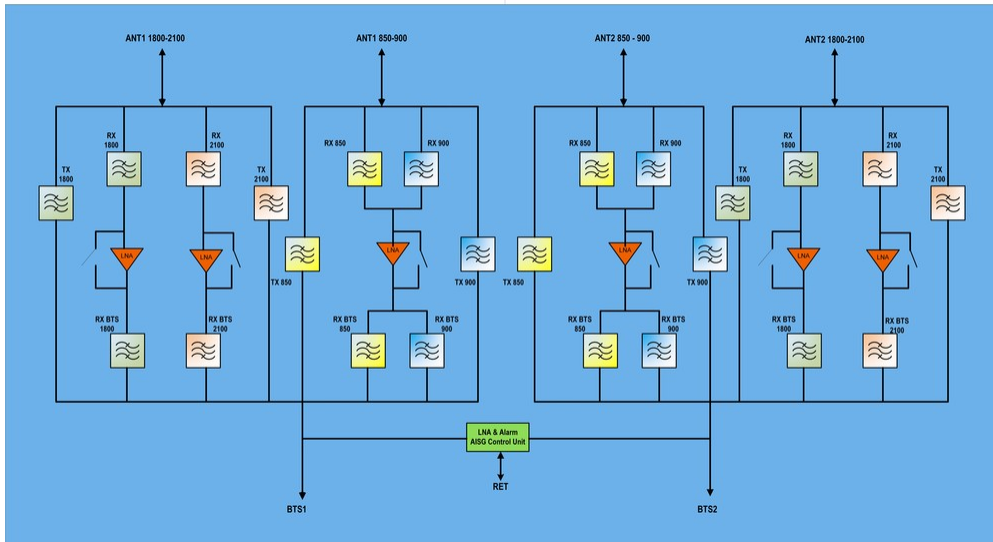
Frequency Range, MHz	825–835	906.8–915	1710–1785	1920–1980
Bandwidth, MHz	10	8.2	75	60
Gain, nominal, dB	12	12	12	12
Noise Figure, typical, dB	1.3	1.4	1.3	1.4
Total Group Delay, typical, ns	180	150	100	70
Insertion Loss - Bypass Mode, typical, dB	2.1	2.1	2.1	2

Electrical Specifications Tx (Downlink)

Frequency Range, MHz	870–880	951.8–960	1805–1880	2110–2170
Bandwidth, MHz	10	8.2	75	60
Insertion Loss, typical, dB	0.35	0.5	0.5	0.4
Total Group Delay, typical, ns	60	180	50	25
Return Loss, typical, dB	20	20	20	20
Input Power, RMS, maximum, W	200	200	200	200
Input Power, PEP, maximum, W	2500	2500	2500	2500
3rd Order PIM, typical, dBc	-160	-160	-160	-160
3rd Order PIM Test Method	2 x 20 W CW tones	2 x 20 W CW tones	2 x 20 W CW tones	2 x 20 W CW tones

Block Diagram

E15Z01P61



Environmental Specifications

Operating Temperature	-40 °C to +65 °C (-40 °F to +149 °F)
Relative Humidity	Up to 100%
Corrosion Test Method	IEC 60068-2-11, 30 days
Ingress Protection Test Method	IEC 60529:2001, IP67

Packaging and Weights

Included	Mounting hardware
Volume	15.8 L
Weight, net	22.8 kg 50.265 lb

Regulatory Compliance/Certifications

Agency	Classification
ISO 9001:2015	Designed, manufactured and/or distributed under this quality management system



* Footnotes

License Band, Band Pass	License Bands that are to be passed through with no amplification
License Band, LNA	License Bands that have RxUplink amplification