

# E15Z01P19

---



## Tower Mounted Amplifier, Cellular 850

### **OBSOLETE**

This product was discontinued on: June 30, 2022

## Product Classification

**Product Type** 1-BTS:1-ANT (Uniplex) | Tower mounted amplifier

## General Specifications

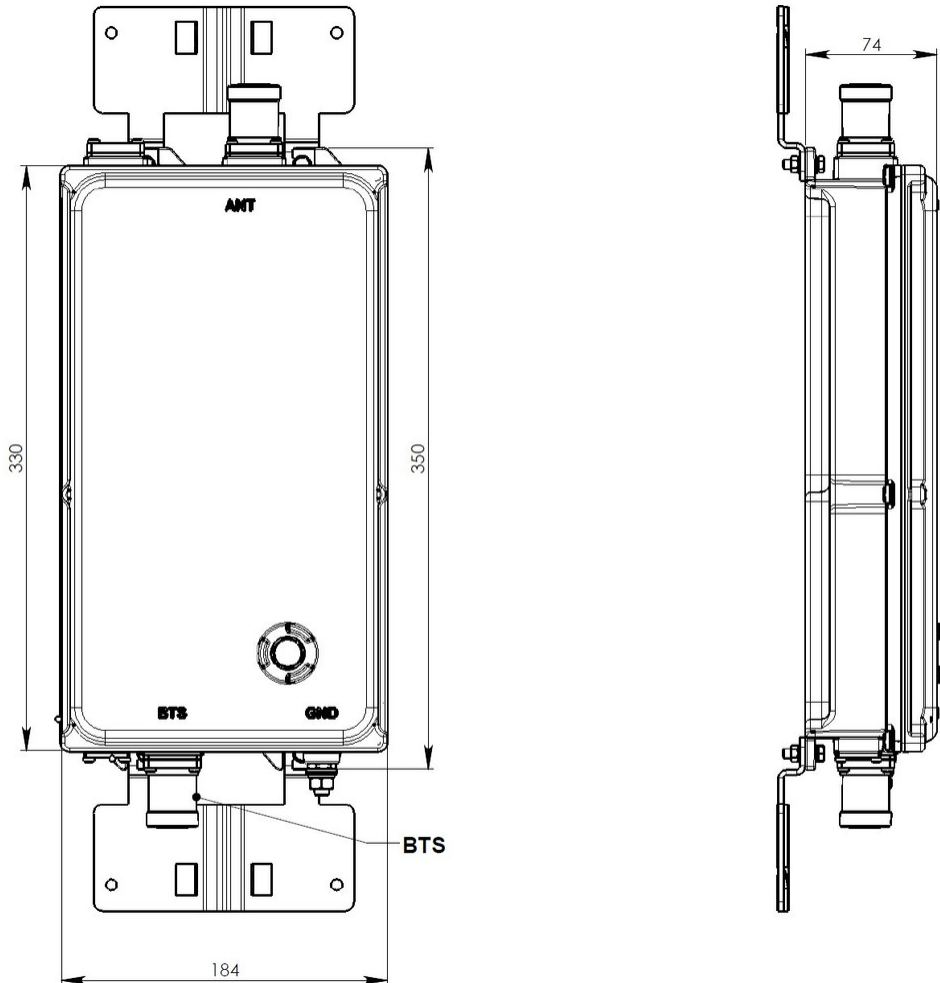
**Color** Gray  
**Modularity** 1-Single  
**Mounting Pipe Hardware** Band clamps (2)  
**RF Connector Interface** 7-16 DIN Female  
**RF Connector Interface Body Style** Long neck

## Dimensions

**Height** 330 mm | 12.992 in  
**Width** 184 mm | 7.244 in  
**Depth** 74 mm | 2.913 in  
**Ground Screw Diameter** 6 mm | 0.236 in  
**Mounting Pipe Diameter Range** 50–120 mm

# E15Z01P19

## Outline Drawing



## Electrical Specifications

**License Band, LNA** CEL 850

## Electrical Specifications, dc Power/Alarm

<b>dc Switching/Redundancy</b>	No
<b>Lightning Surge Current</b>	5 kA
<b>Lightning Surge Current Waveform</b>	8/20 waveform
<b>Operating Current at Voltage</b>	100 mA @ 12 V
<b>Operating Current Tolerance</b>	±15 mA
<b>Voltage</b>	7–30 Vdc

# E15Z01P19

---

<b>Voltage, CWA Mode</b>	10–18 Vdc
<b>Alarm Current, CWA Mode</b>	180–200 mA @ 10–18 V

## Electrical Specifications

<b>Sub-module</b>	1
<b>Branch</b>	1
<b>Port Designation</b>	ANT
<b>License Band</b>	CEL 850, LNA

## Electrical Specifications Rx (Uplink)

<b>Frequency Range, MHz</b>	<b>824–849</b>
<b>Bandwidth, MHz</b>	25
<b>Gain, nominal, dB</b>	12
<b>Gain Tolerance, dB</b>	±1.0
<b>Noise Figure, typical, dB</b>	1.1
<b>Group Delay Variation, maximum, ns</b>	270
<b>Group Delay Variation Bandwidth, MHz</b>	5
<b>Total Group Delay, maximum, ns</b>	370
<b>Output IP3, minimum, dBm</b>	25
<b>Return Loss, minimum, dB</b>	18

## Electrical Specifications Tx (Downlink)

<b>Frequency Range, MHz</b>	<b>869–894</b>
<b>Bandwidth, MHz</b>	25
<b>Insertion Loss, maximum, dB</b>	0.5
<b>Group Delay Variation, maximum, ns</b>	25
<b>Group Delay Variation Bandwidth, MHz</b>	5
<b>Total Group Delay, maximum, ns</b>	65
<b>Return Loss, minimum, dB</b>	18
<b>Input Power, RMS, maximum, W</b>	500
<b>Input Power, PEP, maximum,</b>	5000

# E15Z01P19

---

W

**3rd Order PIM, maximum, dBc** -155

**3rd Order PIM Test Method** 2 x 20 W CW tones

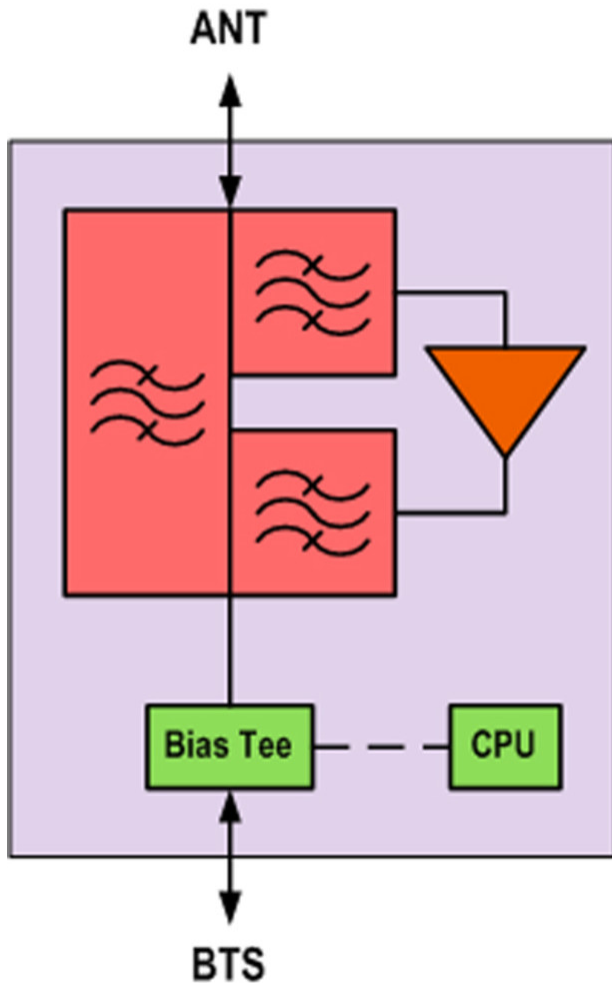
## Electrical Specifications, Band Reject

**Frequency Range, MHz** 851–856

**Attenuation, minimum, dB** 30

# E15Z01P19

## Block Diagram



## Material Specifications

**Finish** Painted

## Mechanical Specifications

**Wind Loading @ Velocity, maximum** 60.0 N @ 115 km/h (13.5 lbf @ 115 km/h)

## Environmental Specifications

**Operating Temperature** -40 °C to +65 °C (-40 °F to +149 °F)

**Relative Humidity** Up to 100%

**Corrosion Test Method** IEC 60068-2-11, 30 days

# E15Z01P19

---

**Ingress Protection Test Method** IEC 60529:2001, IP67

## Packaging and Weights

**Included** Mounting hardware

**Weight, net** 5 kg | 11.023 lb

## Regulatory Compliance/Certifications

### Agency

ISO 9001:2015



### Classification

Designed, manufactured and/or distributed under this quality management system

## \* Footnotes

**License Band, LNA** License Bands that have RxUplink amplification