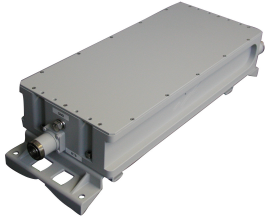


E15Z01P05



Tower Mounted Amplifier, PCS

OBSOLETE

Replaced By:

E15S09P80	Tower Mounted Amplifier, PCS
ETW190VS12UB E15S09P94	Tower Mounted Amplifier, Twin PCS with AISG

Product Classification

Product Type Tower mounted amplifier

General Specifications

Color Gray

Connector Interface 7-16 DIN Female

Connector Interface Style Long neck

Dimensions

Height 402 mm | 15.827 in

Depth 74 mm | 2.913 in

Ground Screw Diameter 6 mm | 0.236 in

Mounting Pipe Diameter Range 40–120 mm

E15Z01P05

Outline Drawing

Electrical Specifications

Alarm Functionality	Failure current
Failure Current Consumption	190–280 mA
Lightning Surge Capability Test Method	IEEE C62.42-1991
Lightning Surge Current	5 kA
Lightning Surge Current Waveform	8/20 waveform
Operating Current at Voltage	110 mA @ 12 V
Operating Current Tolerance	±15 mA
Voltage	10–18 Vdc

Electrical Specifications, Rx (Uplink)

Bandwidth	60 MHz
Frequency Band	1850 – 1910 MHz
Gain	12 dB
Gain Tolerance	+1.3/-1.0
Group Delay Variation at Frequency, maximum	100 ns @ 5.00 MHz
Return Loss, minimum	18 dB
License Band	PCS
Noise Figure, Full Band at Gain, typical	2.40 dB @ 12 dB
Noise Figure, Mid Band, typical	1.50 dB @ 12 dB
Output IP3, specific	21 dBm @ 12 dB
Total Group Delay, maximum	195 ns

Electrical Specifications, Tx (Downlink)

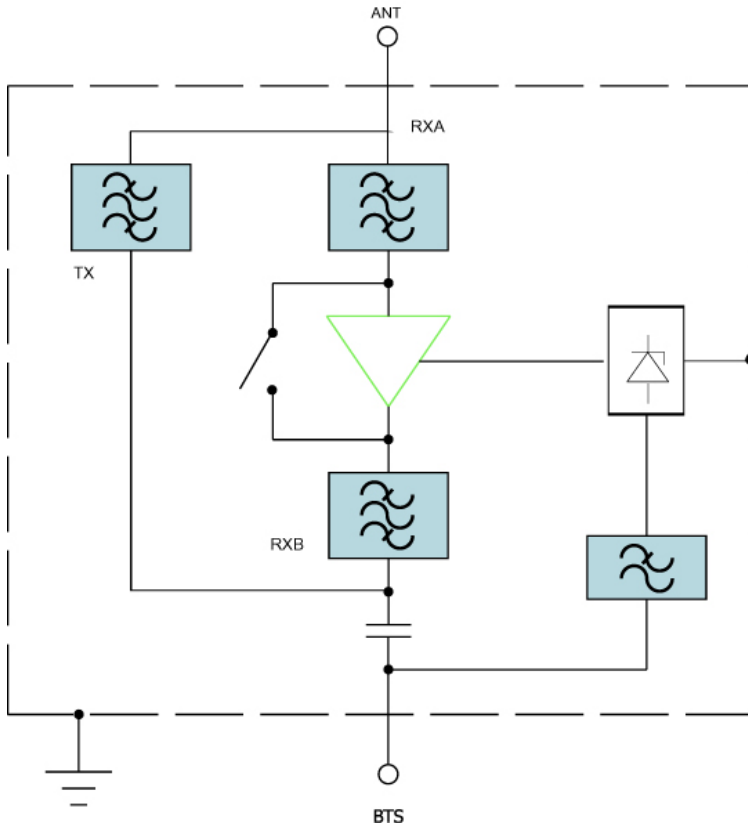
3rd Order IMD	-158 dBm
3rd Order IMD Test Method	Two +43 dBm carriers
Bandwidth	60 MHz
Frequency Band	1930 – 1990 MHz
Group Delay Variation at Frequency, maximum	13 ns @ 5.00 MHz
License Band	PCS

E15Z01P05

Input Power, PEP, maximum	3000 W
Input Power, RMS, maximum	300 W
Total Group Delay, maximum	50 ns
Insertion Loss, maximum	0.6 dB
Return Loss, minimum	18 dB

E15Z01P05

Block Diagram



Material Specifications

Finish Painted

Environmental Specifications

Operating Temperature -40 °C to +65 °C (-40 °F to +149 °F)

Relative Humidity Up to 100%

Ingress Protection Test Method IEC 60529:2001, IP68

Packaging and Weights

Height, packed 590 mm | 23.228 in

E15Z01P05

Weight, net

7.2 kg | 15.873 lb