

E15S09P52



Tower Mounted Amplifier, Dual DCS 1800 with AISG 2.0 (CWA 250 mA)

OBSOLETE

This product was discontinued on: June 30, 2022

Replaced By:

E14R00P02

Tower Mounted Amplifier, Dual DCS 1800 with AISG 2.0, with 4.3-10 connectors

Product Classification

Product Type 1-BTS:1-ANT (Uniplex) | Tower mounted amplifier

General Specifications

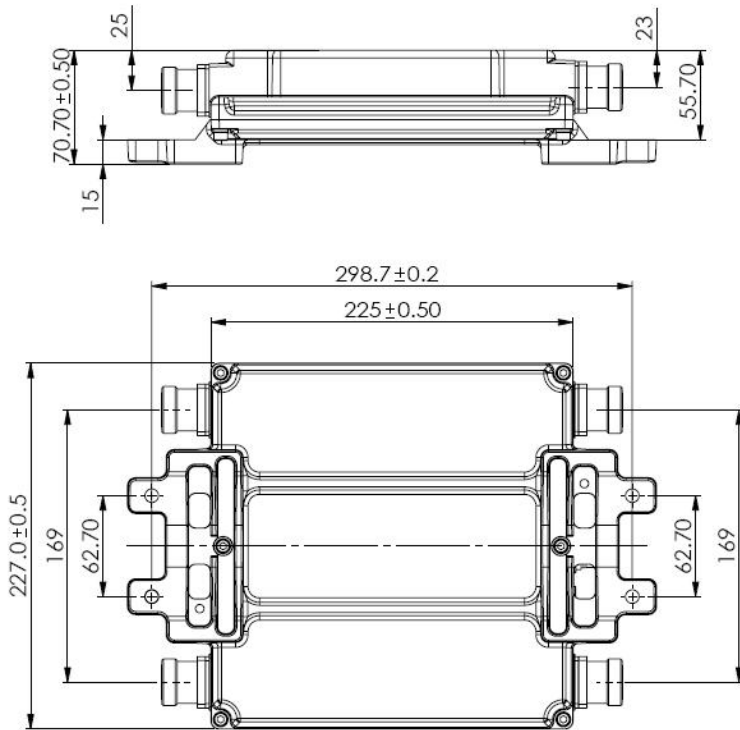
Color Gray
Modularity 2-Twin
Mounting Pole | Wall
Mounting Pipe Hardware Band clamps (2)
RF Connector Interface 7-16 DIN Female

Dimensions

Height 225 mm | 8.858 in
Width 227 mm | 8.937 in
Depth 56 mm | 2.205 in
Ground Screw Diameter 8 mm | 0.315 in
Mounting Pipe Diameter Range 40–160 mm

Outline Drawing

E15S09P52



Electrical Specifications

License Band, LNA DCS 1800

Electrical Specifications, dc Power/Alarm

dc Switching/Redundancy Yes
Lightning Surge Current 10 kA
Lightning Surge Current Waveform 8/20 waveform
Operating Current at Voltage 110 mA @ 12 V
Operating Current Tolerance ±20 mA
Voltage 7–30 Vdc
Alarm Current, CWA Mode 250 mA ±10 mA

Electrical Specifications, AISG

AISG Connector 8-pin DIN Female
AISG Connector Standard IEC 60130-9

E15S09P52

Protocol	AISG 2.0
Voltage, AISG Mode	10–30 Vdc

Electrical Specifications

Sub-module	1 2
Branch	1
Port Designation	ANT
License Band	DCS 1800, LNA
Return Loss - Bypass Mode, typical, dB	14
TX Band Rejection, minimum, dB	75

Electrical Specifications Rx (Uplink)

Frequency Range, MHz	1710–1785
Bandwidth, MHz	75
Gain, nominal, dB	12
Gain Tolerance, dB	±1
Noise Figure, maximum, dB	1.8
Noise Figure, typical, dB	1.4
Group Delay Variation, maximum, ns	50
Group Delay Variation Bandwidth, MHz	5
Total Group Delay, maximum, ns	150
Output IP3, minimum, dBm	23
Return Loss, minimum, dB	18
Insertion Loss - Bypass Mode, typical, dB	3

Electrical Specifications Tx (Downlink)

Frequency Range, MHz	1805–1880
Bandwidth, MHz	75
Insertion Loss, maximum, dB	0.7
Insertion Loss Ripple, maximum, dB	0.5
Group Delay Variation,	13

E15S09P52

maximum, ns

Group Delay Variation 5

Bandwidth, MHz

Total Group Delay, maximum, ns 45

Return Loss, minimum, dB 18

RX Band Rejection, minimum, dB 45

Input Power, RMS, maximum, W 200

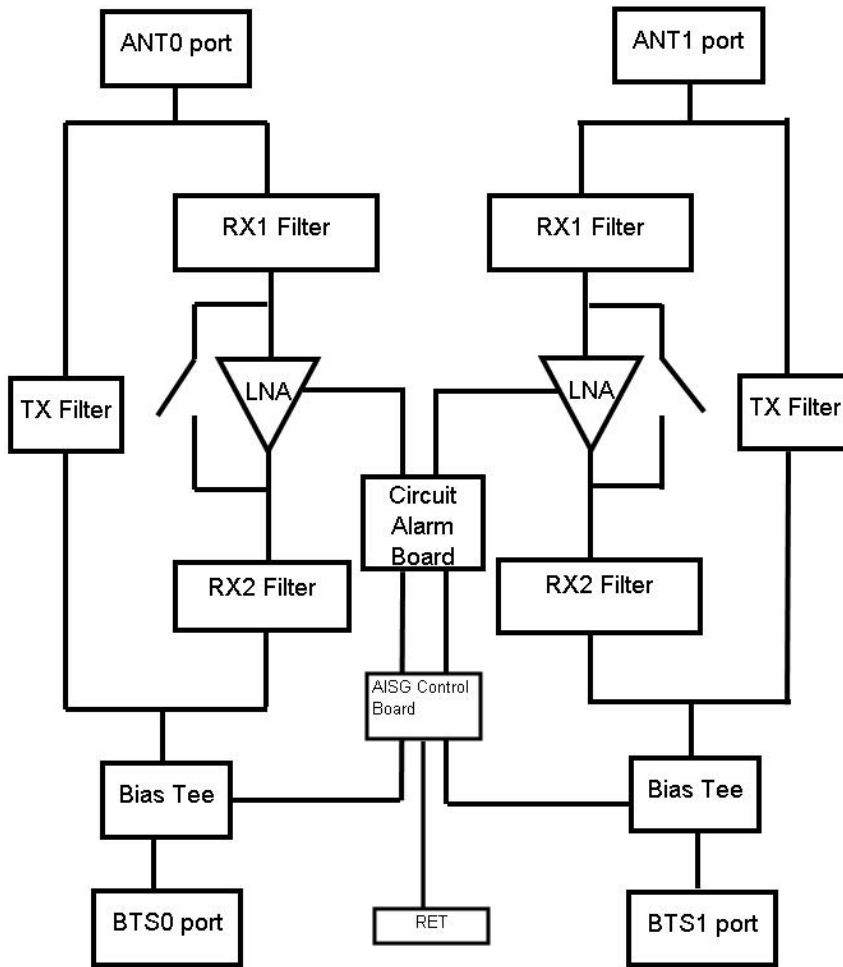
Input Power, PEP, maximum, W 5000

3rd Order PIM, maximum, dBc -153

3rd Order PIM Test Method Two +43 dBm carriers

E15S09P52

Block Diagram



Material Specifications

Finish Painted

Environmental Specifications

Operating Temperature -40 °C to +65 °C (-40 °F to +149 °F)

Relative Humidity Up to 100%

Corrosion Test Method IEC 60068-2-11, 30 days

Ingress Protection Test Method IEC 60529:2001, IP67

Packaging and Weights

Included Mounting hardware

E15S09P52

Volume 2.8 L
Weight, net 4.5 kg | 9.921 lb

Regulatory Compliance/Certifications

Agency

ISO 9001:2015



Classification

Designed, manufactured and/or distributed under this quality management system

* Footnotes

License Band, LNA License Bands that have RxUplink amplification