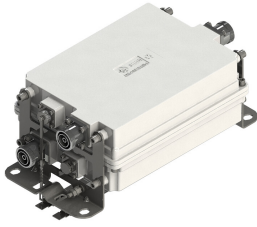


E15R07P12



Tower Mounted Amplifier, Twin 800MHz with AISG 2.0

- Industry leading PIM performance

OBSOLETE

This product was discontinued on: July 1, 2022

Replaced By:

E14R50P01

Tower Mounted Amplifier, Twin 800MHz with AISG 2.0, with 4.3-10 connectors

Product Classification

Product Type 1-BTS:1-ANT (Uniplex) | Tower mounted amplifier

General Specifications

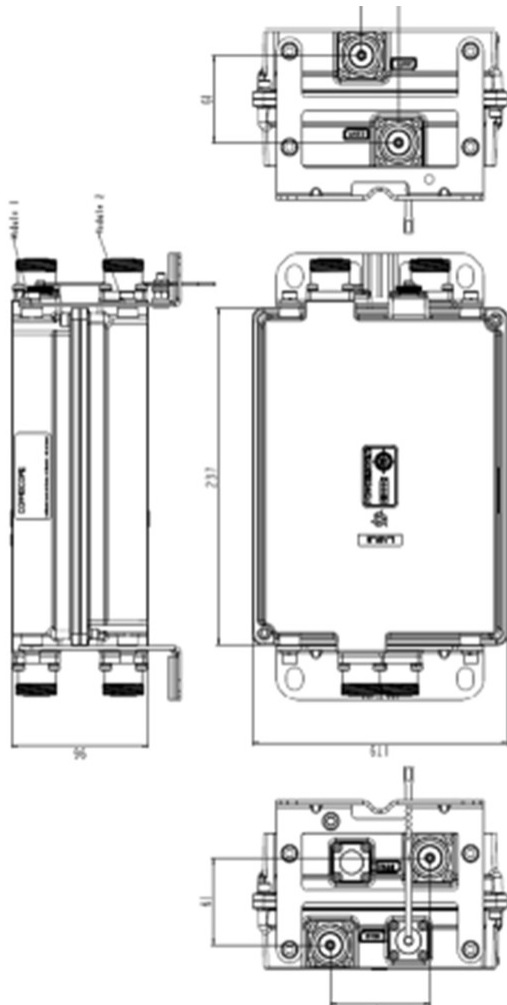
Color Gray
Modularity 2-Twin
Mounting Pole | Wall
Mounting Pipe Hardware Band clamps (2)
RF Connector Interface 7-16 DIN Female

Dimensions

Height 237 mm | 9.331 in
Width 179 mm | 7.047 in
Depth 96 mm | 3.78 in

E15R07P12

Outline Drawing



Electrical Specifications

License Band, Band Pass EDD 800

Electrical Specifications, dc Power/Alarm

Lightning Surge Current 10 kA

Lightning Surge Current Waveform 8/20 waveform

Electrical Specifications, AISG

AISG Carrier 2.176 MHz \pm 100 ppm

AISG Connector 8-pin DIN Female

AISG Connector Standard IEC 60130-9

E15R07P12

Default Protocol	AISG 2.0
Protocol	AISG 1.1 AISG 2.0
Voltage, AISG Mode	10–30 Vdc

Electrical Specifications

Sub-module	1
Branch	1
Port Designation	ANT
License Band	EDD 800, Band Pass
Return Loss, typical, dB	20

Electrical Specifications Rx (Uplink)

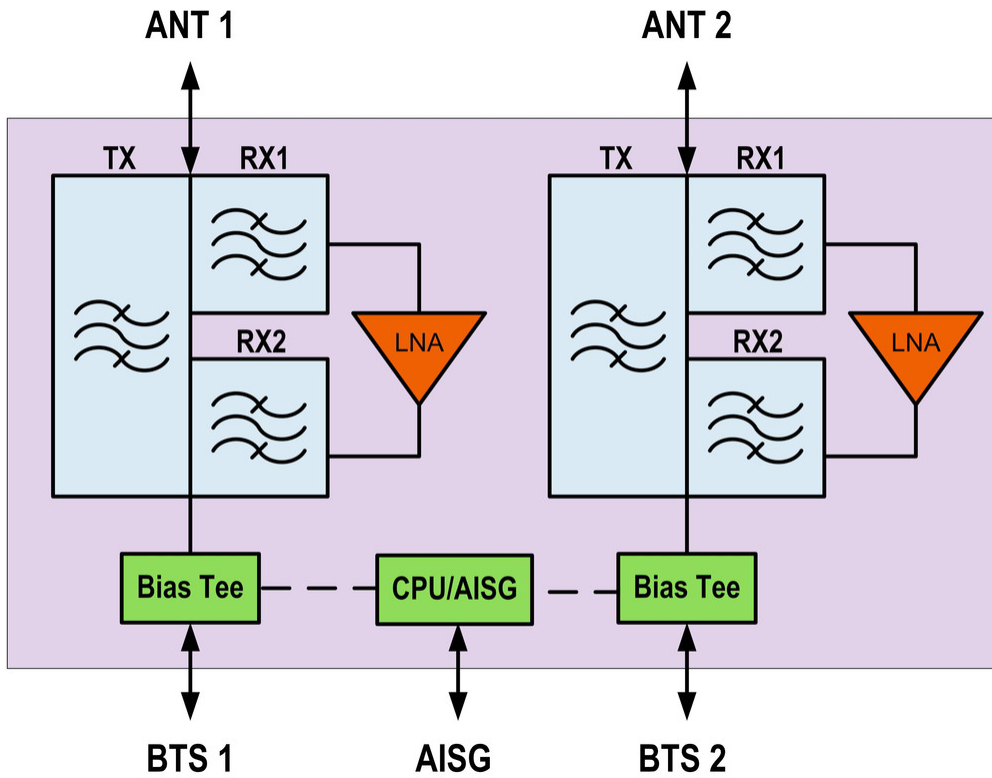
Frequency Range, MHz	832–862
Bandwidth, MHz	30
Gain, nominal, dB	12
Gain Tolerance, dB	±1.0
Noise Figure, typical, dB	1.5
Total Group Delay, typical, ns	193
Insertion Loss - Bypass Mode, typical, dB	2.5

Electrical Specifications Tx (Downlink)

Frequency Range, MHz	791–821
Bandwidth, MHz	30
Insertion Loss, typical, dB	0.5
Total Group Delay, typical, ns	72
Return Loss, typical, dB	20
Input Power, RMS, maximum, W	150
Input Power, PEP, maximum, W	3000
3rd Order PIM, typical, dBc	-160
5th Order PIM Test Method	2 x 20 W CW tones

Block Diagram

E15R07P12



Material Specifications

Finish Painted

Environmental Specifications

Operating Temperature -40 °C to +65 °C (-40 °F to +149 °F)

Corrosion Test Method IEC 60068-2-11, 30 days

Ingress Protection Test Method IEC 60529:2001, IP67

Packaging and Weights

Included Mounting hardware

Weight, net 6 kg | 13.228 lb

* Footnotes

License Band, Band Pass License Bands that are to be passed through with no amplification