

E15R02P28



Dual Band Tower Mounted Amplifier, 700//900 MHz, 12 dB, 2 BTS & 2 ANT ports, AISG with 1 RET connector (2 device with 2 sub-units)

- TMA is operating in AISG & CWA mode, Alarm Current consumption CWA mode 190 mA
- 2 input ports and 2 output ports
- Designed to boost UP-Link Coverage and KPIs
- Automatic LNA by-pass function
- Connectors "in line"
- Single AISG with 1 RET connector
- 2 devices with 2 sub-units
- Built in lightning protection

OBSOLETE

This product was discontinued on: December 31, 2023

Replaced By:

E16R02P28

Dual Band Tower Mounted Amplifier, 700//900 MHz, 12 dB, 2 BTS & 2 ANT ports, AISG with 1 RET connector (2 device with 2 sub-units), with 4.3-10 connectors

Product Classification

Product Type 1-BTS:1-ANT (Uniplex) | Tower mounted amplifier

General Specifications

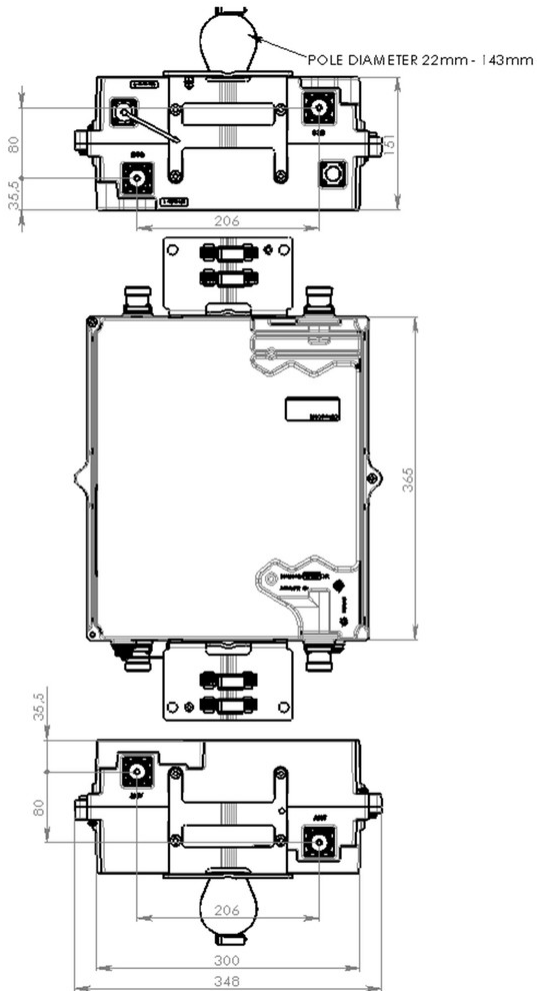
Color Gray
Modularity 2-Twin
Mounting Pipe Hardware Band clamps (2)
RF Connector Interface 7-16 DIN Female

Dimensions

Height 151 mm | 5.945 in
Width 305 mm | 12.008 in
Depth 370 mm | 14.567 in
Mounting Pipe Diameter Range 42.6–122 mm

Outline Drawing

E15R02P28



Electrical Specifications

License Band, LNA APT 700 | CEL 900 | EDD 800

Electrical Specifications, dc Power/Alarm

dc Switching/Redundancy Yes

Lightning Surge Current 10 kA

Lightning Surge Current Waveform 8/20 waveform

Alarm Current, CWA Mode 190 mA \pm 10 mA

Electrical Specifications, AISG

AISG Connector 8-pin DIN Female

AISG Connector Standard IEC 60130-9

E15R02P28

Protocol	AISG 2.0
Voltage, AISG Mode	10–30 Vdc

Electrical Specifications

Sub-module	1 2	1 2
Branch	1	2
Port Designation	ANT 700	ANT 900
License Band	APT 700, LNA	CEL 900, LNA
Return Loss, typical, dB	20	20
Return Loss - Bypass Mode, typical, dB	18	18

Electrical Specifications Rx (Uplink)

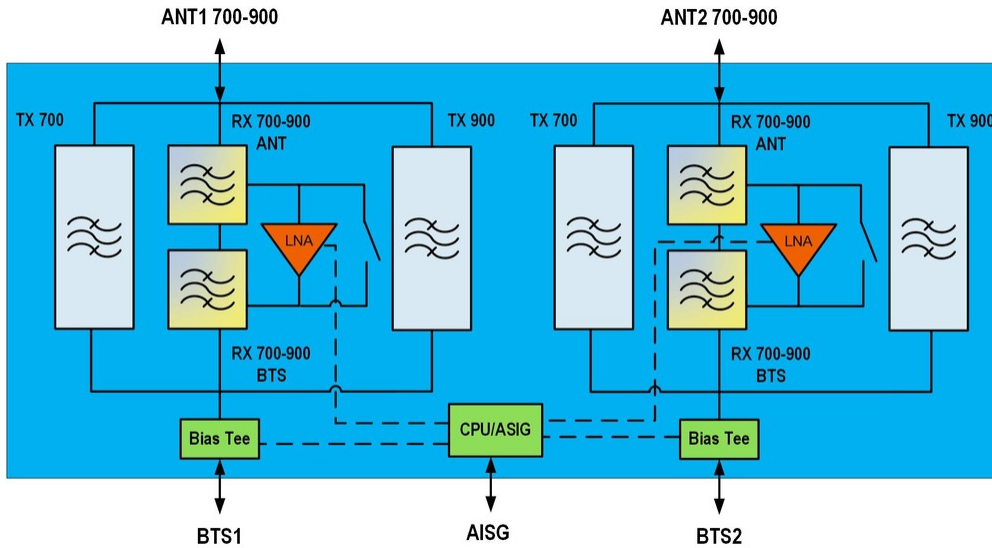
Frequency Range, MHz	703–748	898–915
Bandwidth, MHz	45	16.6
Gain, nominal, dB	13	13
Noise Figure, maximum, dB	2	2
Noise Figure, typical, dB	1.5	1.5
Group Delay Variation, maximum, ns	190	60
Group Delay Variation Bandwidth, MHz	5	5
Return Loss, minimum, dB	18	16
Insertion Loss - Bypass Mode, typical, dB	1.3	1.8

Electrical Specifications Tx (Downlink)

Frequency Range, MHz	758–803	943–960
Bandwidth, MHz	45	16.6
Insertion Loss, maximum, dB	0.6	0.6
Insertion Loss, typical, dB	0.5	0.5
Group Delay Variation, maximum, ns	35	35
Group Delay Variation Bandwidth, MHz	5	5
Return Loss, minimum, dB	16	16
Return Loss, typical, dB	20	20
Input Power, RMS, maximum, W	200	200
Input Power, PEP, maximum, W	2500	2500
3rd Order PIM, typical, dBc	-153	-153
3rd Order PIM Test Method	Two +43 dBm carriers	Two +43 dBm carriers

E15R02P28

Block Diagram



Environmental Specifications

Operating Temperature	-40 °C to +65 °C (-40 °F to +149 °F)
Relative Humidity	Up to 100%
Corrosion Test Method	IEC 60068-2-11, 30 days
Ingress Protection Test Method	IEC 60529:2001, IP67

Packaging and Weights

Included	Mounting hardware
Volume	16.7 L
Weight, net	18 kg 39.683 lb

Regulatory Compliance/Certifications

Agency	Classification
ISO 9001:2015	Designed, manufactured and/or distributed under this quality management system



* Footnotes

License Band, LNA	License Bands that have RxUplink amplification
--------------------------	--