

SMA Female to SMA Male Right Angle Adapter

Product Classification

Product Type Adapter

General Specifications

Body Style Right angle

Inner Contact Plating Gold

Interface SMA Female

Interface 2 SMA Male

Mounting Angle Right angle

Outer Contact Plating Trimetal

Pressurizable No

Dimensions

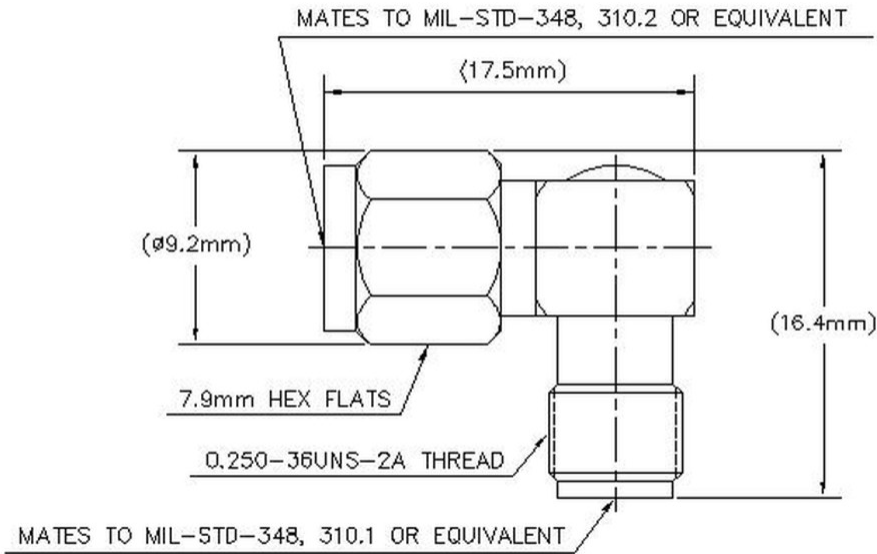
Width 16.37 mm | 0.644 in

Length 29.97 mm | 1.18 in

Diameter 7.92 mm | 0.312 in

Outline Drawing

CA-SFSR



Electrical Specifications

| | |
|---------------------------------------------|-------------------|
| Average Power at Frequency | 100.0 W @ 900 MHz |
| Connector Impedance | 50 ohm |
| dc Test Voltage | 1000 V |
| Inner Contact Resistance, maximum | 3 mOhm |
| Insulation Resistance, minimum | 5000 MOhm |
| Operating Frequency Band | 0 – 6000 MHz |
| Outer Contact Resistance, maximum | 2.5 mOhm |
| Peak Power, maximum | 5 kW |
| RF Operating Voltage, maximum (vrms) | 500 V |

VSWR/Return Loss

| Frequency Band | VSWR | Return Loss (dB) |
|----------------|-------|------------------|
| 0-3000 MHz | 1.083 | 27.99 |
| 3000-6000 MHz | 1.083 | 27.99 |

Mechanical Specifications

| | |
|-----------------------------------------|------------------------|
| Coupling Nut Proof Torque | 1.7 N-m 15.046 in lb |
| Coupling Nut Proof Torque Method | IEC 61169-15:9.3.6 |
| Coupling Nut Retention Force | 180 N 40.466 lbf |

CA-SFSR

| | |
|--------------------------------------------|---------------------|
| Coupling Nut Retention Force Method | IEC 61169-15:9.3.11 |
| Insertion Force | 22 N 4.946 lbf |
| Insertion Force Method | IEC 61169-15:9.3.5 |
| Interface Durability | 500 cycles |
| Interface Durability Method | IEC 61169-15:9.5 |
| Mechanical Shock Test Method | IEC 60068-2-27 |

Environmental Specifications

| | |
|---------------------------------------------------|---------------------------------------|
| Operating Temperature | -55 °C to +85 °C (-67 °F to +185 °F) |
| Storage Temperature | -65 °C to +125 °C (-85 °F to +257 °F) |
| Attenuation, Ambient Temperature | 20 °C 68 °F |
| Average Power, Ambient Temperature | 40 °C 104 °F |
| Average Power, Inner Conductor Temperature | 100 °C 212 °F |
| Climatic Sequence Test Method | IEC 60068-1 |
| Corrosion Test Method | IEC 60068-2-11 |
| Damp Heat Steady State Test Method | IEC 60068-2-3 |
| Thermal Shock Test Method | IEC 60068-2-14 |
| Vibration Test Method | IEC 60068-2-6 |

Packaging and Weights

| | |
|--------------------|-------------------|
| Weight, net | 8.21 g 0.018 lb |
|--------------------|-------------------|

Regulatory Compliance/Certifications

| Agency | Classification |
|---------------|--------------------------------------------------------------------------------|
| ISO 9001:2015 | Designed, manufactured and/or distributed under this quality management system |

