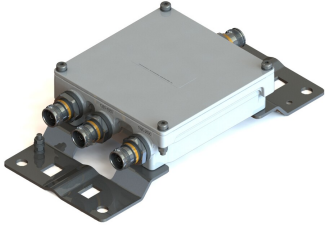


# E14F10P81

---



Ultra Compact Single Triplexer 380-960/1350-1880/1920-2690, DC bypass on all ports, 4.3-10 connectors

- New 4.3-10 connectors for improved PIM performance and size reduction
- Single configuration
- dc/AISG pass-through on all frequency ports

## Product Classification

**Product Type** Triplexer

## General Specifications

**Color** Gray

**Modularity** 2-Twin

**Mounting** Pole | Wall

**Mounting Pipe Hardware** Band clamps (2)

**RF Connector Interface** 4.3-10 Female

## Dimensions

**Height** 66 mm | 2.598 in

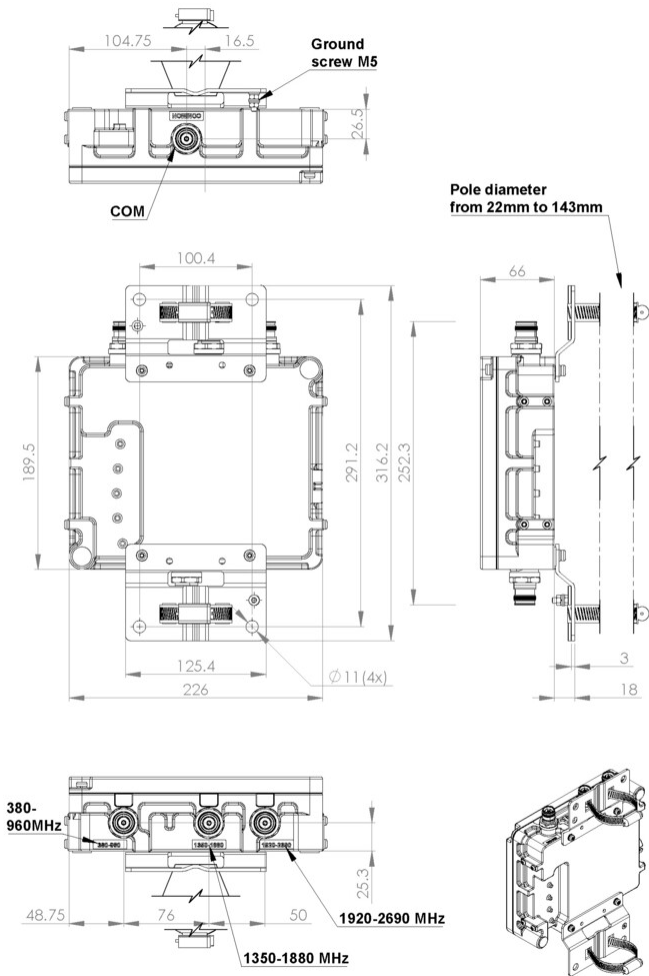
**Width** 226 mm | 8.898 in

**Depth** 189.5 mm | 7.461 in

**Mounting Pipe Diameter Range** 42.6–122 mm

## Outline Drawing

# E14F10P81



## Electrical Specifications

**Impedance** 50 ohm

## Electrical Specifications, dc Power/Alarm

**dc/AISG Pass-through Path** Branch 1 | Branch 2 | Branch 3

**dc/AISG Pass-through, combiner** Branch 1 | Branch 2 | Branch 3

**dc/AISG Pass-through, demultiplexer** Branch 1 | Branch 2 | Branch 3

**Lightning Surge Current** 10 kA

**Lightning Surge Current Waveform** 8/20 waveform

## Electrical Specifications

**Sub-module**

1 | 2

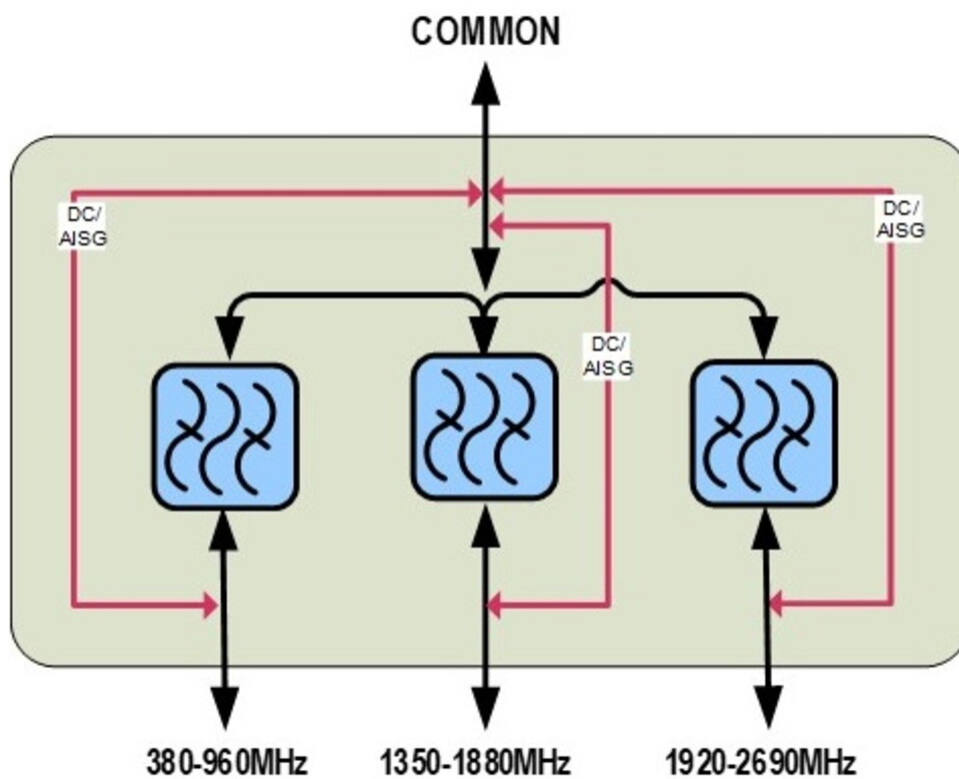
1 | 2

1 | 2

# E14F10P81

Branch	1	2	3
Port Designation	698-960	1350-1880	1920-2690
Electrical Specifications, Band Pass			
Frequency Range, MHz	<b>698-960</b>	<b>1350-1880</b>	<b>1920-2690</b>
Insertion Loss, typical, dB	0.25	0.35	0.35
Return Loss, typical, dB	20	20	20
Isolation, typical, dB	52	52	52
Input Power, RMS, maximum, W	200	200	200
Input Power, PEP, maximum, W	2000	2000	2000
3rd Order PIM, typical, dBc	-162	-162	-162
3rd Order PIM Test Method	Two +43 dBm carriers	Two +43 dBm carriers	Two +43 dBm carriers

## Block Diagram



## Environmental Specifications

**Operating Temperature** -40 °C to +65 °C (-40 °F to +149 °F)

# E14F10P81

---

<b>Corrosion Test Method</b>	IEC 60068-2-11, 30 days
<b>Environmental Test Method</b>	ETSI EN 300 019-1-4
<b>Ingress Protection Test Method</b>	IEC 60529:2001, IP67

## Packaging and Weights

<b>Included</b>	Mounting hardware
<b>Volume</b>	2.83 L
<b>Weight, with mounting hardware</b>	4.3 kg   9.48 lb
<b>Weight, without mounting hardware</b>	3.8 kg   8.378 lb