

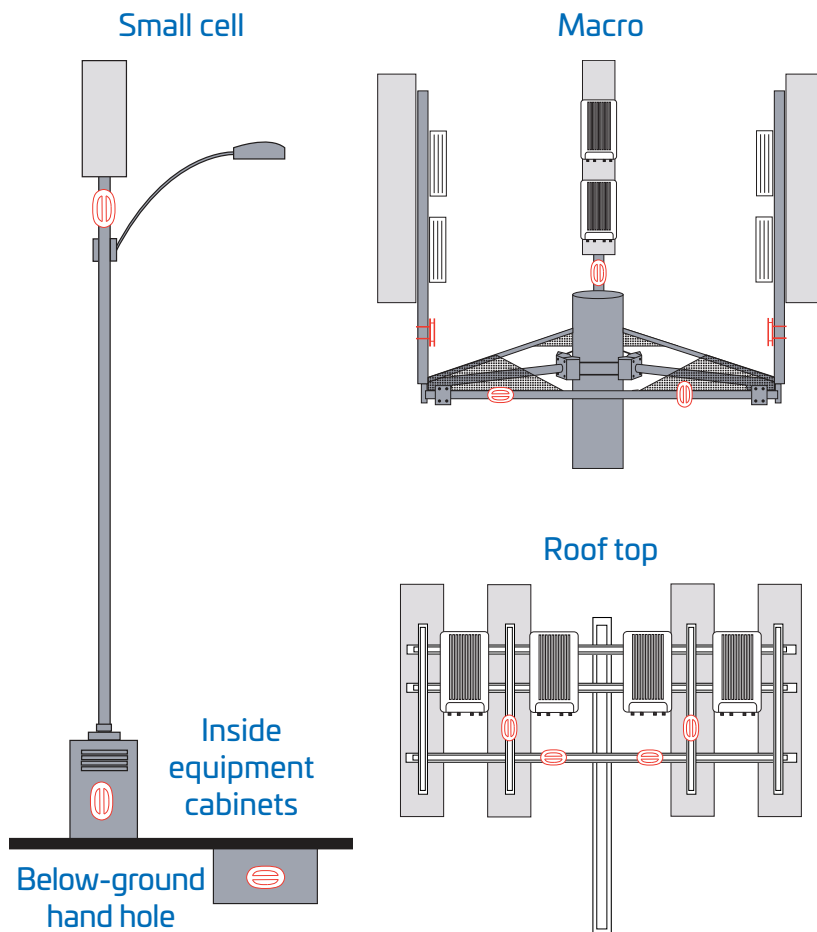
HELIAX® discrete fiber storage coiler

The secure, stackable, PIM-free solution for FTTA deployments

Secure slack fiber and eliminate PIM with one compact solution

CommScope's HELIAX® FBR-COIL-S solution offers network operators and OEMs an innovative new way to manage slack fiber storage in both macro and outdoor small cell site deployments.

Compact, mountable and metal-free, the FBR-COIL-S storage coiler helps speed up FTTA deployments by providing a simple, secure way to store slack fiber and standardize jumper lengths.



- Organized cable management for confined spaces, storing up to 5 meters (16 feet) of fiber-optic cable in diameters up to 7 millimeters
- Metal-free construction (UV-stable polymers) with secure fit eliminates risk of additional PIM
- Easily recognized as non-active component, reducing leasing costs and, in effect, lowering total cost of ownership
- Lightweight, low-profile design reduces wind load—weighs only 2.27 kilograms (5 pounds) fully loaded
- Mounts on platforms, in cabinets, or in below-ground hand holes
- Stackable up to three deep (FBR-COIL-SK3 kit available)

Faster installations, better network performance

CommScope's FBR-COIL-S discrete fiber storage coiler helps simplify and accelerate FTTA deployments and ensure optimal infrastructure performance.

To learn how much easier and more economical your FTTA deployments could be, contact your local CommScope representative.

CommScope pushes the boundaries of communications technology with game-changing ideas and ground-breaking discoveries that spark profound human achievement. We collaborate with our customers and partners to design, create and build the world's most advanced networks. It is our passion and commitment to identify the next opportunity and realize a better tomorrow. Discover more at commscope.com.

COMMSCOPE®

commscope.com

Visit our website or contact your local CommScope representative for more information.

© 2020 CommScope, Inc. All rights reserved.

Unless otherwise noted, all trademarks identified by ® or ™ are registered trademarks, respectively, of CommScope, Inc. This document is for planning purposes only and is not intended to modify or supplement any specifications or warranties relating to CommScope products or services. CommScope is committed to the highest standards of business integrity and environmental sustainability with a number of CommScope's facilities across the globe certified in accordance with international standards, including ISO 9001, TL 9000, and ISO 14001. Further information regarding CommScope's commitment can be found at www.commscope.com/About-Us/Corporate-Responsibility-and-Sustainability.

CO-115226-EN (11/20)