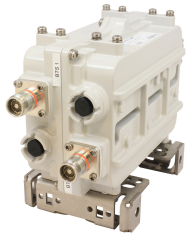


# WCS-IMFT-AMT-43 | E15V87P72



## Twin WCS IMF for Aeronautical Mobile Telemetry Band Co-Location, 4.3-10

- New 4.3-10 connectors for improved PIM performance and size reduction
- DC/AISG passing capability from BTS port to ANT port
- Convertible mounting brackets

### OBSOLETE

This product was discontinued on: May 1, 2020

#### Replaced By:

SIMFT-WCS-AMT-R40  
E14V00P18

Compact Twin WCS IMF for Aeronautical Mobile Telemetry Band Co-Location, 4.3-10

## Product Classification

**Product Type** Interference mitigation filter

## General Specifications

**Color** Gray

**Modularity** 2-Twin

**Mounting Pipe Hardware** Band clamps (2)

**RF Connector Interface** 4.3-10 Female

## Dimensions

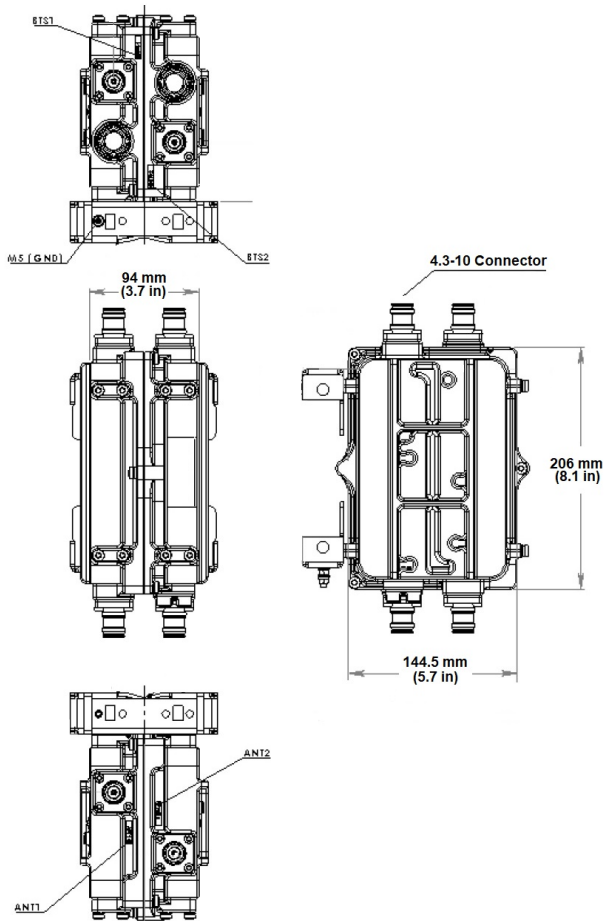
**Height** 206 mm | 8.11 in

**Width** 144.5 mm | 5.689 in

**Depth** 94 mm | 3.701 in

# WCS-IMFT-AMT-43 | E15V87P72

## Outline Drawing



## Electrical Specifications, dc Power/Alarm

<b>dc/AISG Pass-through Path</b>	Branch 1
<b>Lightning Surge Current</b>	8 kA
<b>Lightning Surge Current Waveform</b>	8/20 waveform

## Electrical Specifications

<b>Sub-module</b>	1   2	1   2	1   2	1   2	1   2
<b>Branch</b>	1	1	1	1	1
<b>License Band</b>		WCS 2300, Band Pass	WCS 2300, Band Pass	WCS 2300, Band Pass	WCS 2300, Band Pass

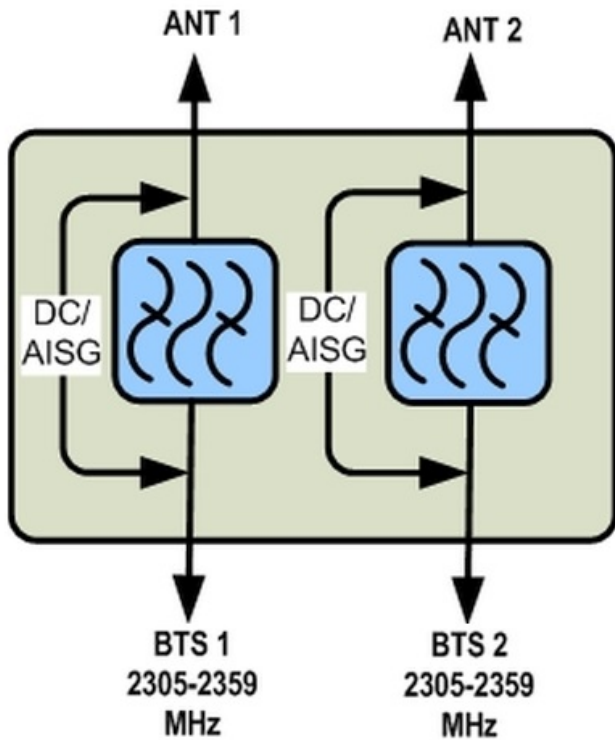
## Electrical Specifications, Band Pass

Frequency Range, MHz	2305–2315	2350–2357	2357–2358.6	2358.6–2358.96
Insertion Loss, maximum, dB	0.3	0.9	1.6	2.2
Insertion Loss, typical, dB	0.2	0.7	1.3	1.8
Total Group Delay, maximum, ns	10	250	250	400
Return Loss, minimum, dB	18	18	16	16
Return Loss, typical, dB	20	20	20	20
Input Power, RMS, maximum, W		100	100	100
Input Power, PEP, maximum, W		1000	1000	1000
Higher Order PIM, minimum, dBc		-153	-153	-153
Higher Order PIM Test Method		2 x 20 W CW tones	2 x 20 W CW tones	2 x 20 W CW tones

## Electrical Specifications, Band Reject

Frequency Range, MHz	2360–2395	2360–2395	2360–2395	2360–2395
Attenuation, minimum, dB	30	30	30	30

Block Diagram



Environmental Specifications

<b>Operating Temperature</b>	-40 °C to +65 °C (-40 °F to +149 °F)
<b>Relative Humidity</b>	Up to 100%
<b>Ingress Protection Test Method</b>	IEC 60529:2001, IP67

Packaging and Weights

<b>Included</b>	Mounting hardware
<b>Mounting Hardware Weight</b>	0.7 kg   1.543 lb
<b>Weight, without mounting hardware</b>	4 kg   8.818 lb

Regulatory Compliance/Certifications

<b>Agency</b>	<b>Classification</b>
CHINA-ROHS	Below maximum concentration value
REACH-SVHC	Compliant as per SVHC revision on <a href="http://www.commscope.com/ProductCompliance">www.commscope.com/ProductCompliance</a>
ROHS	Compliant

UK-ROHS

Compliant

