

# TD-PCS-1-A3A4-A5D

---

Twin Inband Diplexer PCS A3A4-A5D, DC sense

**OBSOLETE**

**Replaced By:**

CHB626-43-2X  
D15T01P38

Twin Hybrid Combiner

## Product Classification

**Product Type** Diplexer

## General Specifications

**Color** Gray

**Connector Interface** 7-16 DIN Female

## Dimensions

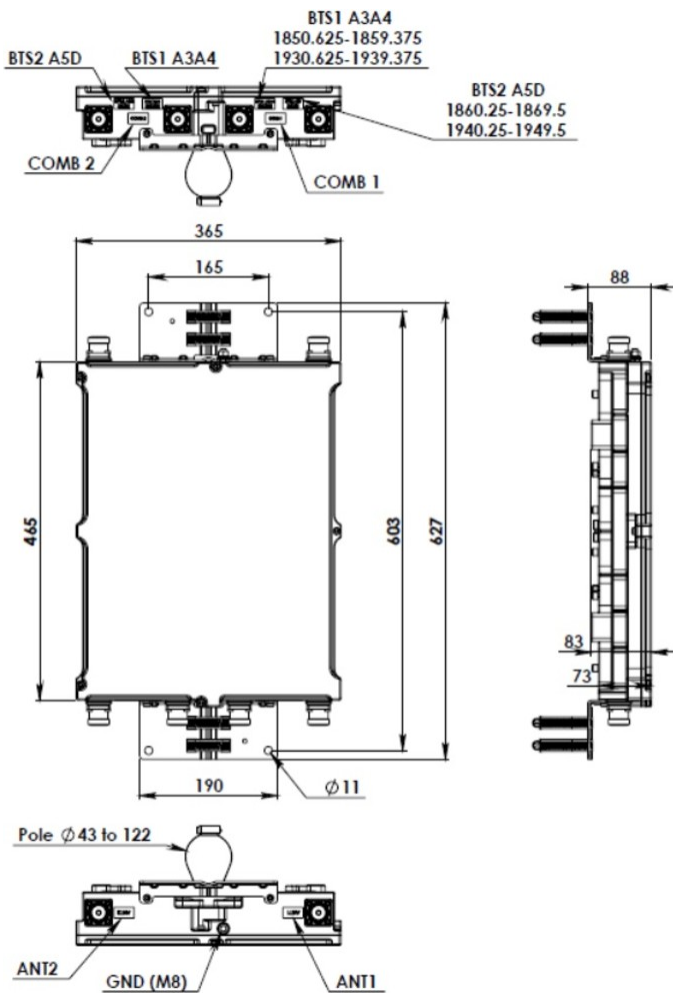
**Height** 465 mm | 18.307 in

**Width** 365 mm | 14.37 in

**Depth** 90 mm | 3.543 in

## Outline Drawing

# TD-PCS-1-A3A4-A5D



## Electrical Specifications

<b>5th Order IMD, maximum</b>	-153 dBc
<b>Lightning Surge Current</b>	10 kA
<b>Lightning Surge Current Waveform</b>	8/20 waveform

## Electrical Specifications, Rx (Uplink)

<b>Frequency Band</b>	1850.625 – 1859.375 MHz
<b>Insertion Loss, typical</b>	0.8 dB
<b>Return Loss, typical</b>	18 dB
<b>Isolation, minimum</b>	28 dB
<b>Isolation, typical</b>	28 dB
<b>Total Group Delay, maximum</b>	250 ns

# TD-PCS-1-A3A4-A5D

---

## Electrical Specifications 2, Rx (Uplink)

<b>Frequency Band</b>	1860.25 – 1869.5 MHz
<b>Isolation, minimum</b>	28 dB
<b>Isolation, typical</b>	28 dB
<b>Total Group Delay, maximum</b>	250 ns
<b>Insertion Loss, typical</b>	0.8 dB
<b>Return Loss, minimum</b>	18 dB

## Electrical Specifications, Tx (Downlink)

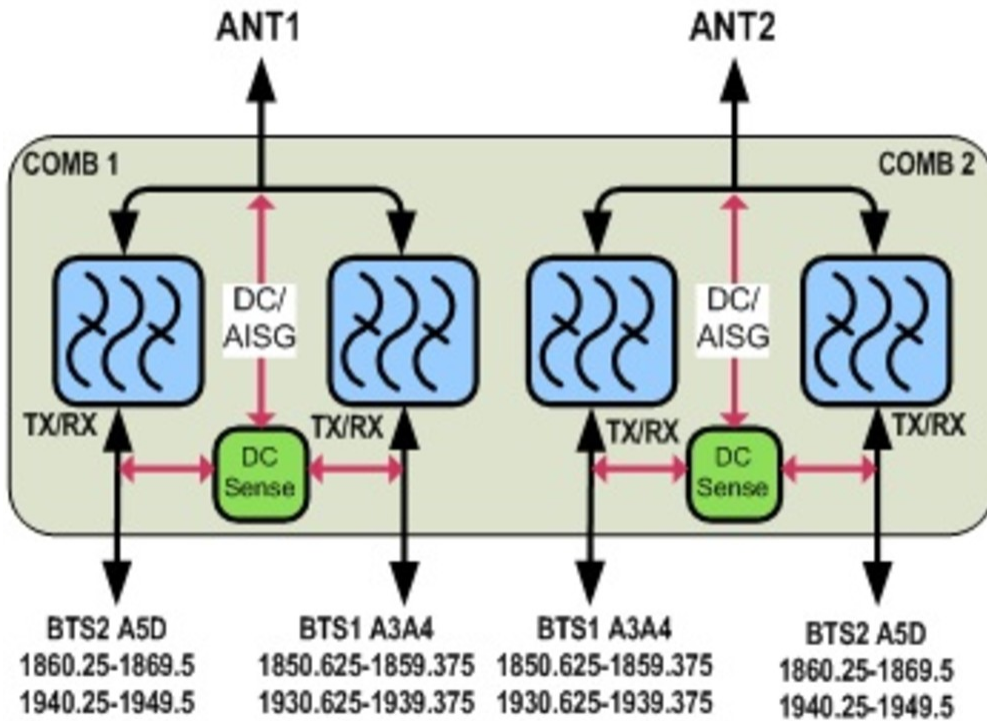
<b>Frequency Band</b>	1930.625 – 1939.375 MHz
<b>Input Power, PEP, maximum</b>	100 W
<b>Input Power, RMS, maximum</b>	3000 W
<b>Total Group Delay, maximum</b>	210 ns
<b>Insertion Loss, typical</b>	0.8 dB
<b>Return Loss, typical</b>	18 dB

## Electrical Specifications 2, Tx (Downlink)

<b>Frequency Band</b>	1940.25 – 1949.5 MHz
<b>Insertion Loss, typical</b>	0.8 dB
<b>Return Loss, minimum</b>	18 dB
<b>Return Loss, typical</b>	18 dB
<b>Total Group Delay, maximum</b>	250 ns

## Block Diagram

# TD-PCS-1-A3A4-A5D



## Environmental Specifications

**Operating Temperature** -40 °C to +65 °C (-40 °F to +149 °F)

**Ingress Protection Test Method** IEC 60529:2001, IP67

## Packaging and Weights

**Weight, net** 15.8 kg | 34.833 lb