

# TD-AWS-5-ABC-EF | E15Z50P13



AWS Twin In-Band Diplexer Tuning version 4, AWS ABC/EF Bands with AISG/DC Sense

**OBSOLETE**

**Replaced By:**

CHB626-43-2X  
D15T01P38

Twin Hybrid Combiner

## Product Classification

**Product Type** Diplexer

## General Specifications

**Application** Indoor | Outdoor

**Antenna Interface** 7-16 DIN Female

**Connector Interface Style** Long neck

**Rx Interface** 7-16 DIN Female

## Dimensions

**Height** 231 mm | 9.094 in

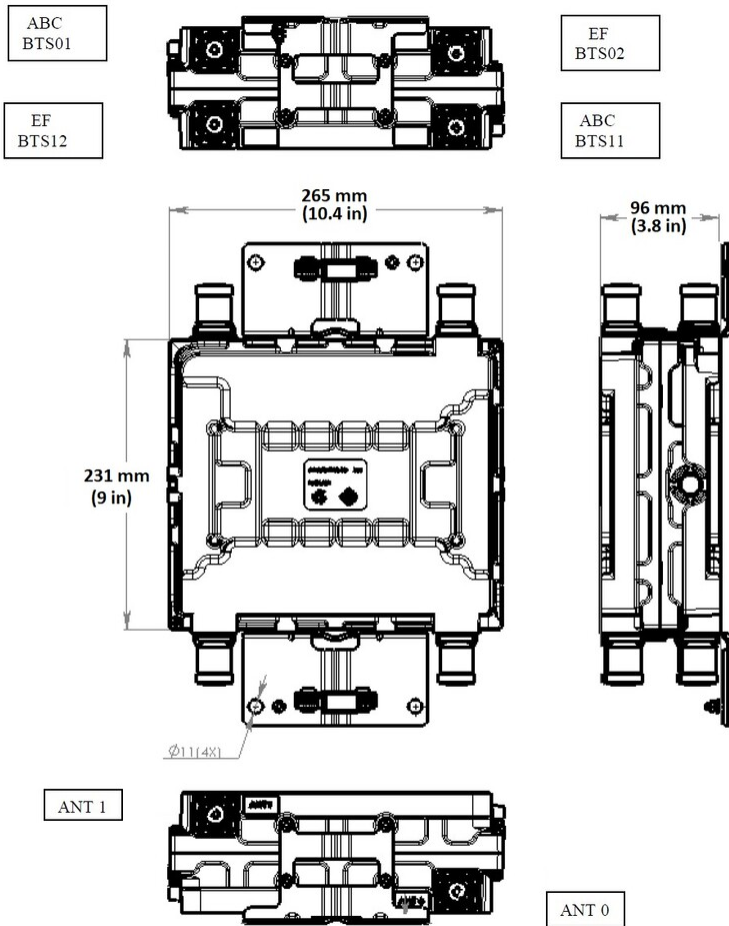
**Width** 265 mm | 10.433 in

**Depth** 96 mm | 3.78 in

**Ground Screw Diameter** 5 mm | 0.197 in

## Outline Drawing

# TD-AWS-5-ABC-EF | E15Z50P13



## Electrical Specifications, Rx (Uplink)

<b>Frequency Band</b>	1710 – 1734.75 MHz
<b>Insertion Loss, typical</b>	0.8 dB
<b>Return Loss, minimum</b>	18 dB
<b>Isolation, minimum</b>	28 dB

## Electrical Specifications 2, Rx (Uplink)

<b>Frequency Band</b>	1740.25 – 1754.75 MHz
<b>Isolation, minimum</b>	28 dB
<b>Insertion Loss, typical</b>	0.8 dB
<b>Return Loss, minimum</b>	18 dB

# TD-AWS-5-ABC-EF | E15Z50P13

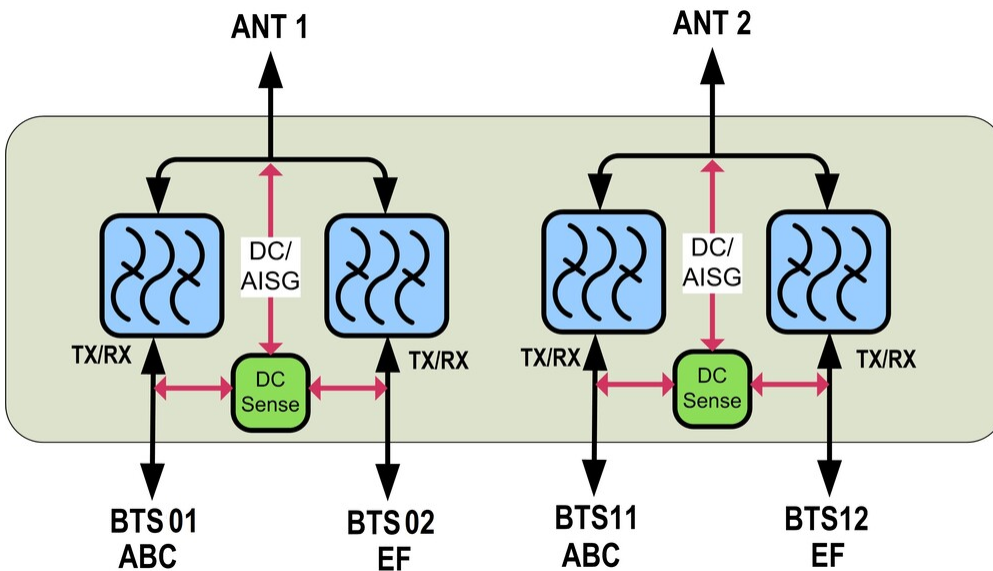
## Electrical Specifications, Tx (Downlink)

<b>Frequency Band</b>	2110 – 2134.75 MHz
<b>Isolation, minimum</b>	28 dB
<b>Input Power, PEP, maximum</b>	5000 W
<b>Total Group Delay, maximum</b>	60 ns
<b>Insertion Loss, typical</b>	0.8 dB
<b>Return Loss, minimum</b>	18 dB

## Electrical Specifications 2, Tx (Downlink)

<b>Frequency Band</b>	2140.25 – 2154.75 MHz
<b>Input Power, PEP, maximum</b>	5000 W
<b>Insertion Loss, typical</b>	0.8 dB
<b>Isolation, minimum</b>	28 dB
<b>Return Loss, minimum</b>	18 dB
<b>Total Group Delay, maximum</b>	60 ns

## Block Diagram



## Environmental Specifications

<b>Operating Temperature</b>	-40 °C to +60 °C (-40 °F to +140 °F)
------------------------------	--------------------------------------

# TD-AWS-5-ABC-EF | E15Z50P13

---

**Ingress Protection Test Method** IEC 60529:2001, IP67

## Packaging and Weights

**Included** Brackets

**Weight, without mounting hardware** 8.3 kg | 18.298 lb