

SDX1926T-43 | E14F05P85



Ultra Compact Twin Diplexer PCS/AWS+WCS+BRS, DC AWS/WCS/BRS, 4.3-10

- Twin configuration
- Ideal for small cell applications
- DC/AISG pass on 1695-1780/2110-2700 MHz
- New 4.3-10 connectors for improved PIM performance and size reduction
- Industry leading PIM performance
- BTS-to-feeder and feeder-to-antenna application

Product Classification

Product Type Diplexer

General Specifications

Color Gray

Common Port Label Common

Modularity 2-Twin

RF Connector Interface 4.3-10 Female

RF Connector Interface Body Style Long neck

Dimensions

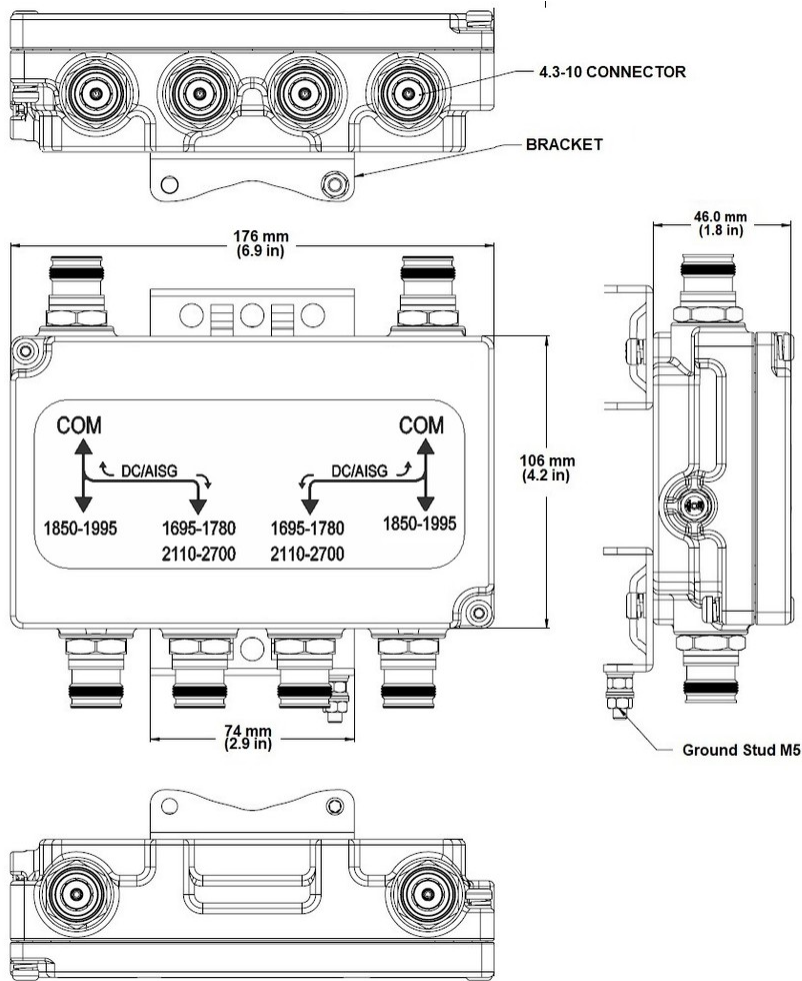
Height 106 mm | 4.173 in

Width 176 mm | 6.929 in

Depth 46 mm | 1.811 in

Outline Drawing

SDX1926T-43 | E14F05P85



Electrical Specifications

| | |
|--------------------------------|---|
| Impedance | 50 ohm |
| License Band, Band Pass | AWS 1700 IMT 2600 PCS 1900 TDD 1900 TDD 2600 WCS 2300 |

Electrical Specifications, dc Power/Alarm

| | |
|--|---------------|
| dc/AISG Pass-through Method | Factory set |
| dc/AISG Pass-through Path | Branch 2 |
| dc/AISG Pass-through, combiner | Branch 2 |
| dc/AISG Pass-through, demultiplexer | Branch 2 |
| Lightning Surge Current | 5 kA |
| Lightning Surge Current Waveform | 8/20 waveform |
| Voltage | 7–30 Vdc |

SDX1926T-43 | E14F05P85

Electrical Specifications, AISG

AISG Carrier 2176 KHz ± 100 ppm

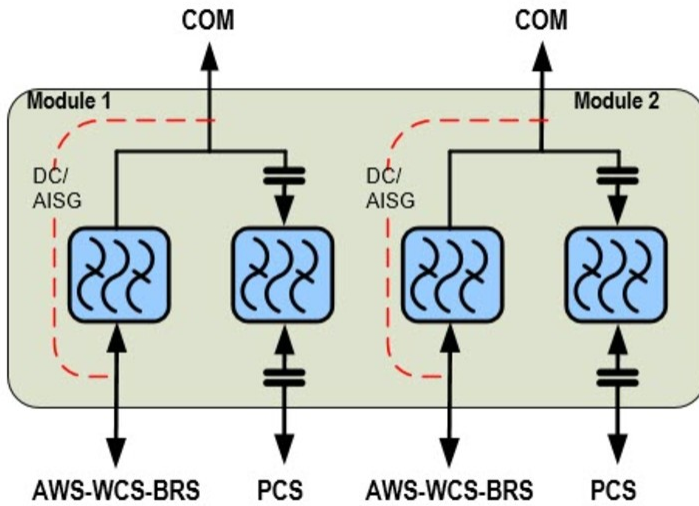
Electrical Specifications

| Sub-module | 1 2 | 1 2 |
|-------------------------|---------------------|--|
| Branch | 1 | 2 |
| Port Designation | PCS | AWS-WCS-BRS |
| License Band | PCS 1900, Band Pass | WCS 2300, Band Pass AWS 1700, Band Pass TDD 2600, Band Pass IMT 2600, Band Pass |

Electrical Specifications, Band Pass

| Frequency Range, MHz | 1850-1995 | 1695-1780 2110-2700 |
|---------------------------------------|-------------------|--------------------------------|
| Insertion Loss, typical, dB | 0.2 | 0.15 |
| Total Group Delay, maximum, ns | 15 | 15 |
| Return Loss, typical, dB | 22 | 22 |
| Isolation, typical, dB | 42 | 42 |
| Input Power, RMS, maximum, W | 100 | 100 |
| Input Power, PEP, maximum, W | 1500 | 1500 |
| 3rd Order PIM, minimum, dBc | -161 | -161 |
| 3rd Order PIM Test Method | 2 x 20 W CW tones | 2 x 20 W CW tones |

Block Diagram



Mechanical Specifications

| | |
|---|--|
| Wind Loading @ Velocity, frontal | 24.0 N @ 150 km/h (5.4 lbf @ 150 km/h) |
| Wind Loading @ Velocity, lateral | 4.0 N @ 150 km/h (0.9 lbf @ 150 km/h) |

Environmental Specifications

| | |
|---------------------------------------|--------------------------------------|
| Operating Temperature | -40 °C to +65 °C (-40 °F to +149 °F) |
| Relative Humidity | Up to 100% |
| Corrosion Test Method | IEC 60068-2-11, 30 days |
| Ingress Protection Test Method | IEC 60529:2001, IP67 |

Packaging and Weights

| | |
|--|-------------------|
| Mounting Hardware Weight | 0.2 kg 0.441 lb |
| Volume | 0.9 L |
| Weight, without mounting hardware | 1.7 kg 3.748 lb |

Regulatory Compliance/Certifications

| Agency | Classification |
|------------|-----------------------------------|
| CHINA-ROHS | Above maximum concentration value |
| ROHS | Compliant/Exempted |
| UK-ROHS | Compliant/Exempted |



