

# S-4-CPUSE-H-NI6



Four-way Reactive Power Splitter, 555–2700 MHz, DC Pass all ports  
(Additional mounting bracket PN:42396A-17 sold separately)

## OBSOLETE

This product was discontinued on: October 31, 2019

### Replaced By:

S-4-UW-H-NI6

Ultra Wideband Four-way Low PIM Reactive High Power Splitter, 555–6000 MHz (Additional mounting bracket PN:42396A-17 sold separately)

## Product Classification

### Regional Availability

Asia | Australia/New Zealand | EMEA | Latin America | North America

### Product Type

Power splitter

## General Specifications

### Device Type

Splitter

### Application

Indoor/Outdoor

### Color

Silver

### Inner Contact Plating

Silver

### Interface

N Female

### Outer Contact Plating

Trimetal

## Dimensions

### Height

43 mm | 1.693 in

### Width

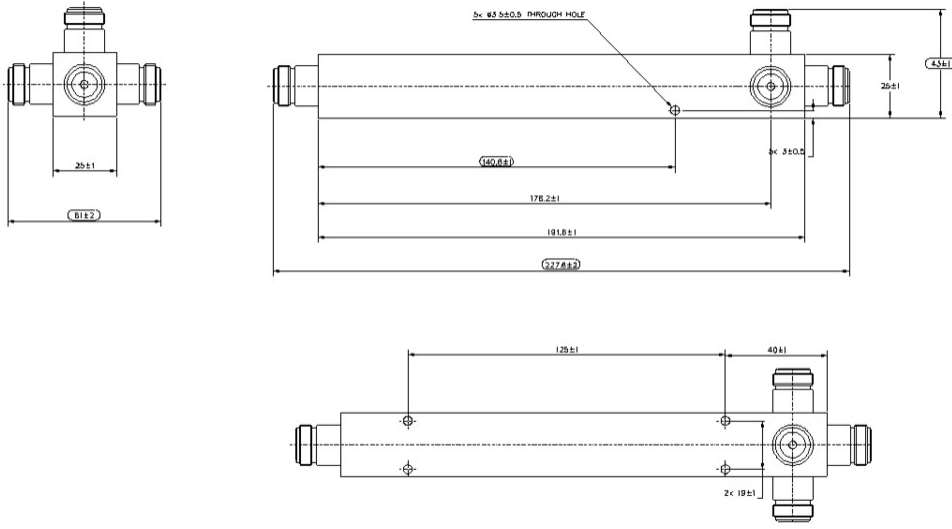
61 mm | 2.402 in

### Length

227 mm | 8.937 in

## Outline Drawing

# S-4-CPUSE-H-NI6



## Electrical Specifications

|   |  |
|---|--|
| <b>3rd Order IMD</b>                    | -160 dBc                                     |
| <b>3rd Order IMD Test Method</b>        | Two +43 dBm carriers                         |
| <b>Insertion Loss at Frequency Band</b> | 0.3 dB @ 698–2700 MHz   0.4 dB @ 555–698 MHz |
| <b>Average Power, maximum</b>           | 300 W  |
| <b>Impedance</b>                        | 50 ohm                                       |
| <b>Operating Frequency Band</b>         | 555 – 2700 MHz                               |
| <b>Peak Power, maximum</b>              | 3 kW   |
| <b>Power Rating, Splitting</b>          | 300 W  |
| <b>Reflected Power, maximum</b>         | 300 W  |
| <b>Split Loss</b>                       | 6 dB   |
| <b>VSWR at Frequency Band</b>           | 1.3:1 @ 698–2700 MHz   1.93:1 @ 555–698 MHz  |

## Mechanical Specifications

|                                  |                        |
|----------------------------------|------------------------|
| <b>Coupling Nut Proof Torque</b> | 4.5 N-m   39.828 in lb |
|----------------------------------|------------------------|

## Environmental Specifications

|                                       |                                      |
|---------------------------------------|--------------------------------------|
| <b>Operating Temperature</b>          | -35 °C to +85 °C (-31 °F to +185 °F) |
| <b>Relative Humidity</b>              | Up to 100%                           |
| <b>Ingress Protection Test Method</b> | IEC 60529:2001, IP65                 |

# S-4-CPUSE-H-NI6

---

## Packaging and Weights

|                       |  |
|-----------------------|--|
| <b>Height, packed</b> | 62 mm   2.441 in                                 |
| <b>Width, packed</b>  | 82 mm   3.228 in                                 |
| <b>Length, packed</b> | 260 mm   10.236 in                               |
| <b>Volume</b>         | 1321800 mm <sup>3</sup>   80.662 in <sup>3</sup> |
| <b>Weight, gross</b>  | 0.47 kg   1.036 lb                               |
| <b>Weight, net</b>    | 0.39 kg   0.86 lb                                |

## Regulatory Compliance/Certifications

### Agency

ISO 9001:2015

ROHS



### Classification

Designed, manufactured and/or distributed under this quality management system

Compliant/Exempted