

S-3-CPUSE-H-NI6



Three-way Reactive Power Splitter, 555–2700 MHz (Additional mounting bracket PN:42396A-17 sold separately)

OBSOLETE

This product was discontinued on: **October 31, 2019**

Replaced By:

S-3-UW-H-NI6

Ultra Wideband Three-way Low PIM Reactive High Power Splitter, 555–6000 MHz (Additional mounting bracket PN:42396A-17 sold separately)

Product Classification

Regional Availability Asia | Australia/New Zealand | EMEA | Latin America | North America

Product Type Power splitter

General Specifications

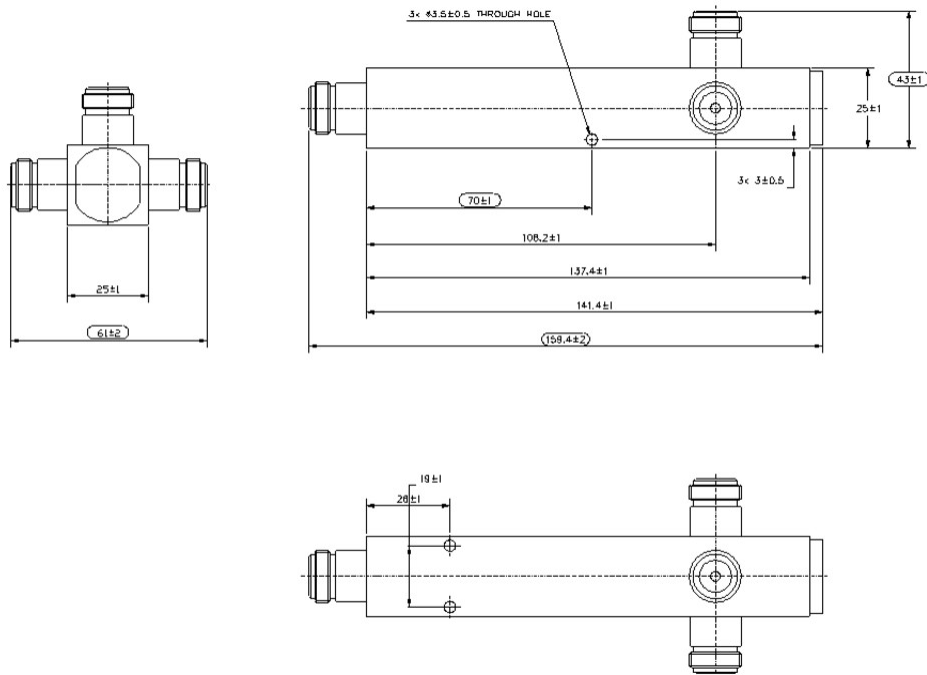
Device Type	Splitter
Application	Indoor/Outdoor
Color	Silver
Inner Contact Plating	Silver
Interface	N Female
Outer Contact Plating	Trimetal

Dimensions

Height	43 mm 1.693 in
Width	61 mm 2.402 in
Length	159 mm 6.26 in

Outline Drawing

S-3-CPUSE-H-NI6



Electrical Specifications

3rd Order IMD	-160 dBc
3rd Order IMD Test Method	Two +43 dBm carriers
Insertion Loss at Frequency Band	0.2 dB @ 555–2700 MHz
Return Loss, minimum	20.8 dB
Average Power, maximum	300 W
Impedance	50 ohm
Operating Frequency Band	555 – 2700 MHz
Peak Power, maximum	3 kW
Power Rating, Splitting	300 W
Reflected Power, maximum	300 W
Split Loss	4.8 dB
VSWR	1.2

Mechanical Specifications

Coupling Nut Proof Torque	4.5 N-m 39.828 in lb
----------------------------------	------------------------

Environmental Specifications

S-3-CPUSE-H-NI6

Operating Temperature	-35 °C to +85 °C (-31 °F to +185 °F)
Relative Humidity	Up to 100%
Ingress Protection Test Method	IEC 60529:2001, IP65

Packaging and Weights

Height, packed	65 mm 2.559 in
Width, packed	110 mm 4.331 in
Length, packed	170 mm 6.693 in
Volume	1215500 mm ³ 74.175 in ³
Weight, gross	0.38 kg 0.838 lb
Weight, net	0.3 kg 0.661 lb

Regulatory Compliance/Certifications

Agency	Classification
CHINA-ROHS	Above maximum concentration value
ISO 9001:2015	Designed, manufactured and/or distributed under this quality management system
ROHS	Compliant/Exempted

