

S-3-CPUSE-H-DI6



Three-way Reactive Power Splitter, 555–2700 MHz (Additional mounting bracket PN:42396A-17 sold separately)

OBSOLETE

This product was discontinued on: July 31, 2021

Replaced By:

S-3-UW-H-43-I6

Ultra Wideband Three-way Low PIM Reactive High Power Splitter, 555–6000 MHz (Additional mounting bracket PN:42396A-17 sold separately)

Product Classification

Regional Availability

Asia | Australia/New Zealand | EMEA | Latin America | North America

Product Type

Power splitter

General Specifications

Device Type

Splitter

Application

Indoor/Outdoor

Color

Silver

Inner Contact Plating

Silver

Interface

7-16 DIN Female

Outer Contact Plating

Trimetal

Dimensions

Height

49 mm | 1.929 in

Width

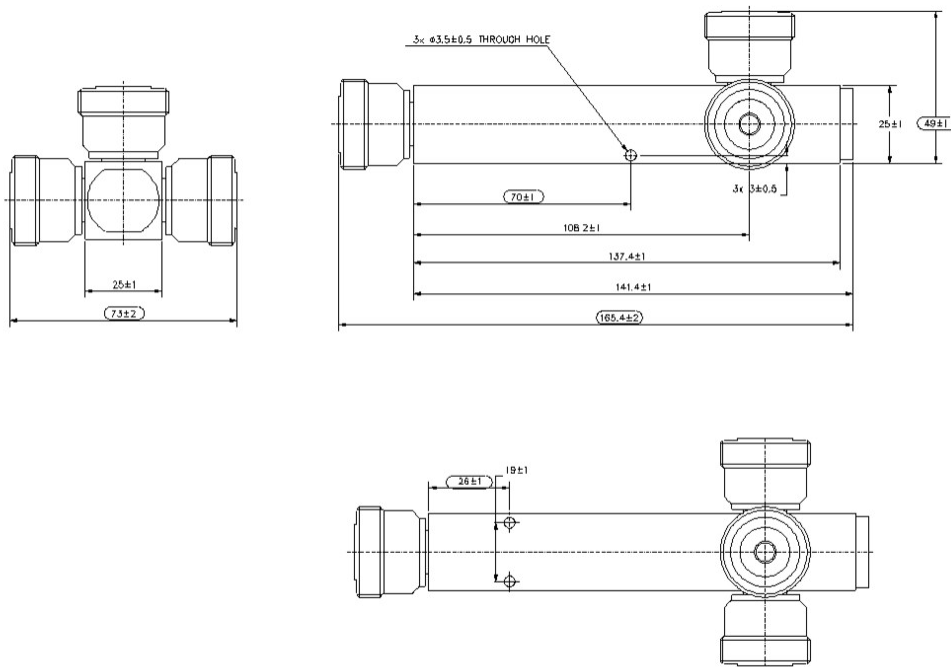
73 mm | 2.874 in

Length

165 mm | 6.496 in

Outline Drawing

S-3-CPUSE-H-DI6



Electrical Specifications

3rd Order IMD	-160 dBc
3rd Order IMD Test Method	Two +43 dBm carriers
Insertion Loss at Frequency Band	0.2 dB @ 555–2700 MHz
Return Loss, minimum	20.8 dB
Average Power, maximum	300 W
Impedance	50 ohm
Operating Frequency Band	555 – 2700 MHz
Peak Power, maximum	3 kW
Power Rating, Splitting	300 W
Reflected Power, maximum	300 W
Split Loss	4.8 dB
VSWR	1.2

Mechanical Specifications

Coupling Nut Proof Torque	25 N-m 221.269 in lb
----------------------------------	------------------------

Environmental Specifications

S-3-CPUSE-H-DI6

Operating Temperature	-35 °C to +85 °C (-31 °F to +185 °F)
Relative Humidity	Up to 100%
Ingress Protection Test Method	IEC 60529:2001, IP65

Packaging and Weights

Height, packed	65 mm 2.559 in
Width, packed	110 mm 4.331 in
Length, packed	170 mm 6.693 in
Volume	1215500 mm ³ 74.175 in ³
Weight, gross	0.55 kg 1.213 lb
Weight, net	0.46 kg 1.014 lb

Regulatory Compliance/Certifications

Agency	Classification
CHINA-ROHS	Below maximum concentration value
ISO 9001:2015	Designed, manufactured and/or distributed under this quality management system
REACH-SVHC	Compliant as per SVHC revision on www.commscope.com/ProductCompliance
ROHS	Compliant

