

# IMFT-AWSBAS-43 | E14V00P08



Twin AWS-PCS IMF for Broadcast Auxiliary Service (BAS) co-location, 4.3-10 connectors

- Provides interference mitigation in the Broadcast Auxiliary Service band of 2097.5-2109.5 MHz
- Supports dual band PCS/AWS radios with diplexed ports or diplexed single band radios
- Supports AWS1-4 and PCS bands (1695–1780, 1850–2000 & 2110–2200 MHz)
- Easy to install in existing AWS systems and prevent adjacent channel interference for BAS licensees
- New 4.3-10 connectors for improved PIM performance and size reduction
- Compact form factor with reduced size and weight
- Available in twin (IMFT-AWSBAS-43) and quad (IMFQ-AWSBAS-43) configurations

## Product Classification

**Product Type** Interference mitigation filter

## General Specifications

**Color** Gray

**Modularity** 2-Twin

**Mounting Pipe Hardware** Band clamps (2)

**RF Connector Interface** 4.3-10 Female

**RF Connector Interface Body Style** Long neck

## Dimensions

**Height** 298 mm | 11.732 in

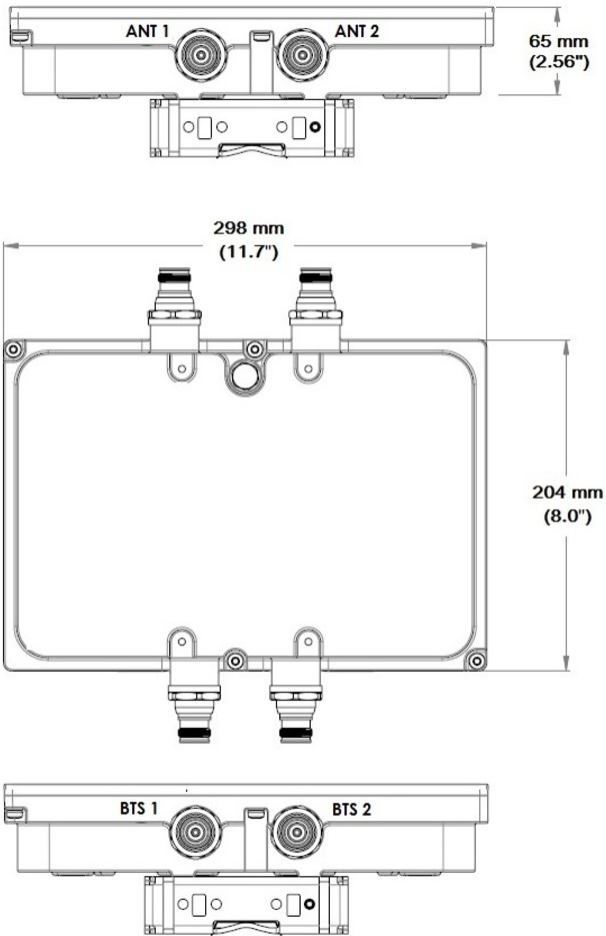
**Width** 204 mm | 8.031 in

**Depth** 65 mm | 2.559 in

**Ground Screw Diameter** 5 mm | 0.197 in

## Outline Drawing

# IMFT-AWSBAS-43 | E14V00P08



## Electrical Specifications, dc Power/Alarm

<b>dc/AISG Pass-through Path</b>	ANT port to BTS port
<b>Lightning Surge Current</b>	10 kA
<b>Lightning Surge Current Waveform</b>	8/20 waveform

## Electrical Specifications

<b>Sub-module</b>	1   2	1   2	1   2
<b>Branch</b>	1	1	1
<b>License Band</b>	AWS 1700, Band Pass PCS 1900, Band Pass	AWS 1700, Band Pass	AWS 1700, Band Pass

## Electrical Specifications, Band Pass

<b>Frequency Range, MHz</b>	1695-1780	2110.3-2110.5	2110.5-2200
-----------------------------	-----------	---------------	-------------

# IMFT-AWSBAS-43 | E14V00P08

---

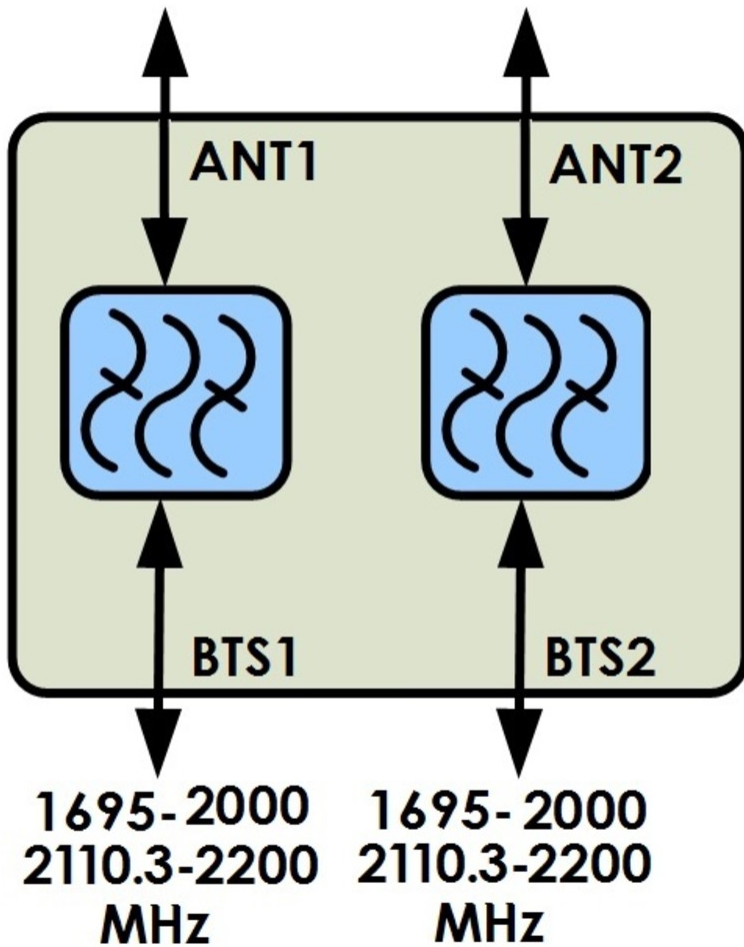
## 1850-2000

<b>Insertion Loss, maximum, dB</b>	0.2	1.8	1.3
<b>Insertion Loss, typical, dB</b>	0.1	1.3	0.2
<b>Total Group Delay, maximum, ns</b>	10	480	320
<b>Return Loss, typical, dB</b>	18	18	18
<b>Input Power, RMS, maximum, W</b>	100	100	100
<b>Input Power, PEP, maximum, W</b>	1000	1000	1000
<b>Higher Order PIM, minimum, dBc</b>	-161	-161	-161
<b>Higher Order PIM Test Method</b>	2 x 20 W CW tones	2 x 20 W CW tones	2 x 20 W CW tones

## Electrical Specifications, Band Reject

<b>Frequency Range, MHz</b>	<b>2097.5-2109.5</b>	<b>2097.5-2109.5</b>
<b>Attenuation, minimum, dB</b>	30	30

## Block Diagram



## Environmental Specifications

<b>Operating Temperature</b>	-40 °C to +65 °C (-40 °F to +149 °F)
<b>Relative Humidity</b>	Up to 100%
<b>Ingress Protection Test Method</b>	IEC 60529:2001, IP67

## Packaging and Weights

<b>Included</b>	Mounting hardware
<b>Mounting Hardware Weight</b>	0.7 kg   1.543 lb
<b>Weight, without mounting hardware</b>	4.1 kg   9.039 lb