

IMFQ-AWSBAS-43 | E14V00P09



Quad AWS-PCS IMF for Broadcast Auxiliary Service(BAS) co-location, 4.3-10 connectors

- Provides interference mitigation in the Broadcast Auxiliary Service band of 2097.5-2109.5 MHz
- Supports dual band PCS/AWS radios with diplexed ports or diplexed single band radios
- Supports AWS1-4 and PCS bands (1695–1780, 1850–2000 & 2110–2200 MHz)
- Easy to install in existing AWS systems and prevent adjacent channel interference for BAS licensees
- New 4.3-10 connectors for improved PIM performance and size reduction
- Compact form factor with reduced size and weight
- Available in twin (IMFT-AWSBAS-43) and quad (IMFQ-AWSBAS-43) configurations

Product Classification

Product Type Interference mitigation filter

General Specifications

Color Gray

Modularity 4-Quad

Mounting Pipe Hardware Band clamps (2)

RF Connector Interface 4.3-10 Female

RF Connector Interface Body Style Long neck

Dimensions

Height 298 mm | 11.732 in

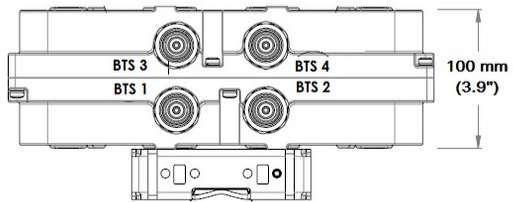
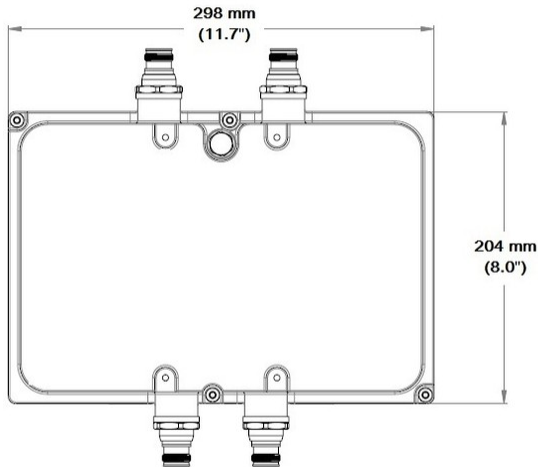
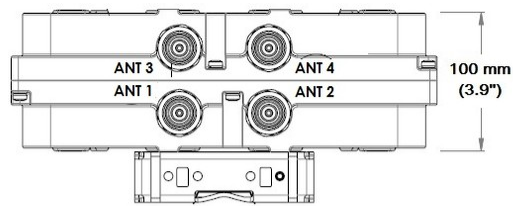
Width 204 mm | 8.031 in

Depth 100 mm | 3.937 in

Ground Screw Diameter 5 mm | 0.197 in

IMFQ-AWSBAS-43 | E14V00P09

Outline Drawing



Electrical Specifications, dc Power/Alarm

dc/AISG Pass-through Path	ANT port to BTS port
Lightning Surge Current	10 kA
Lightning Surge Current Waveform	8/20 waveform

Electrical Specifications

Sub-module	1 2 3 4	1 2 3 4	1 2 3 4
Branch	1	1	1
License Band	AWS 1700, Band Pass PCS 1900, Band Pass	AWS 1700, Band Pass	AWS 1700, Band Pass

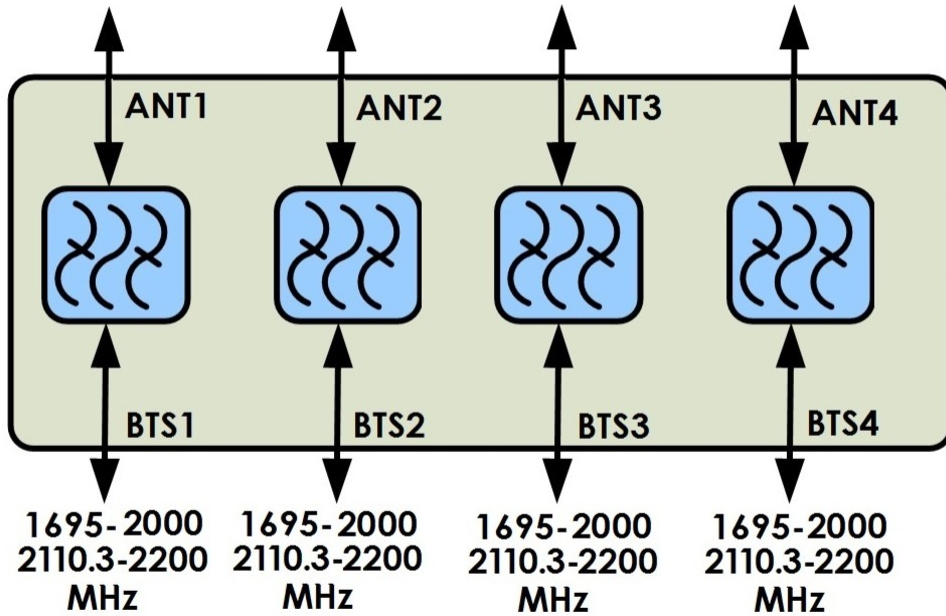
Electrical Specifications, Band Pass

Frequency Range, MHz	1695-1780 1850-2000	2110.3-2110.5	2110.5-2200
Insertion Loss, maximum, dB	0.2	1.8	1.3
Insertion Loss, typical, dB	0.1	1.3	0.2
Total Group Delay, maximum, ns	10	480	320
Return Loss, typical, dB	18	18	18
Input Power, RMS, maximum, W	100	100	100
Input Power, PEP, maximum, W	1000	1000	1000
Higher Order PIM, minimum, dBc	-161	-161	-161
Higher Order PIM Test Method	2 x 20 W CW tones	2 x 20 W CW tones	2 x 20 W CW tones

Electrical Specifications, Band Reject

Frequency Range, MHz	2097.5-2109.5	2097.5-2109.5
Attenuation, minimum, dB	30	30

Block Diagram



Environmental Specifications

Operating Temperature -40 °C to +65 °C (-40 °F to +149 °F)

Relative Humidity Up to 100%

IMFQ-AWSBAS-43 | E14V00P09

Ingress Protection Test Method IEC 60529:2001, IP67

Packaging and Weights

Included Mounting hardware

Mounting Hardware Weight 1 kg | 2.205 lb

Weight, without mounting hardware 8.2 kg | 18.078 lb

Regulatory Compliance/Certifications

Agency	Classification
CHINA-ROHS	Below maximum concentration value
REACH-SVHC	Compliant as per SVHC revision on www.andrew.com/ProductCompliance
ROHS	Compliant
UK-ROHS	Compliant

