

FEATURES

- Custom designed to fit the AgileMax 1RU OBI elimination units for RFoG applications
- Fully pre-configured, scoped and cleaned, and tested from input to output
- Mounting area for HFC port entry
- Accepts Standard 5/8"-24 TPI KS port entry
- Unique "swing-out frame" design for easy maintenance, access to back of AgileMax units, and cables
- Three-point latch provides weather-tight cabinet seal
- Parking slots hold and protect additional fiber connections until needed for future services
- Intelligent, easy to use cable routing schemes with labeling
- Pre-installed LGX chassis frame for additional wavelength management for standard LGX optical passives

The FDH 3000 Outdoor Cabinet with integrated AgileMax units is uniquely designed to meet and serve the distinct needs of diverse markets and outside plant customer segments. The integrated cabinet facilitates fast service connection and reconfiguration for AgileMax RFoG deployments by simplifying installation and improving installation efficiencies in the field.

An FDH 3000 Outdoor Cabinet with integrated AgileMax units supports two installation configurations: currently a Ground Mount Cabinet with 100' stubs or a Pole Mount Cabinet with 100' stubs in the future. All integrated cabinets include superior features such as a swing frame, integrated AgileMax units, and dust cap friendly parking lots. Contact your CommScope sales representative for ordering details.



Ground Mount FDH 3000 AgileMax Cabinet

Ground Mount FDH 3000 AgileMax cabinets are designed to be installed over a hand hole or concrete pad. The ground mount cabinet includes a 100' feeder and distribution stub cables that exit downward through the base of the cabinet. The ground mount cabinet is shipped with a factory installed 6" riser attached to the cabinet bottom. A kit is available to attach some configurations of ground mount FDH 3000 cabinets to a pole. Contact your CommScope sales representative for ordering details.



Ground Mount Small 288 Configuration Shown

Pole Mount FDH 3000 AgileMax Cabinets (Future option)

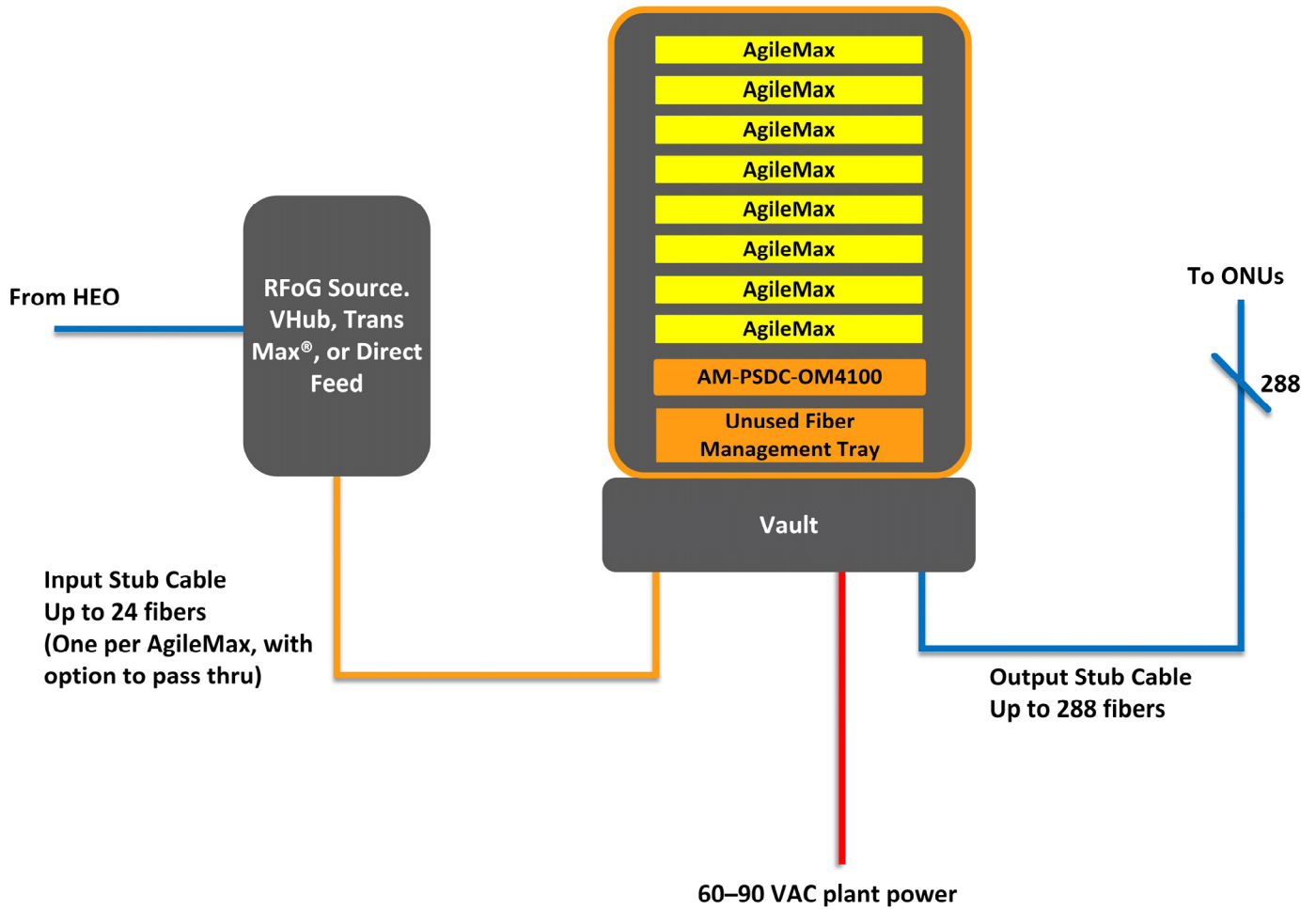
Pole Mount FDH 3000 AgileMax cabinets are designed for overhead/aerial cable plant installations. Pole mount cabinets include 100' feeder and distribution stub cables that exit from underneath.



*Rear View, Pole Mount
with Bottom Cable Entry
Configuration*



*Rear View, Pole Mount
with Top Cable*



ORDERING INFORMATION

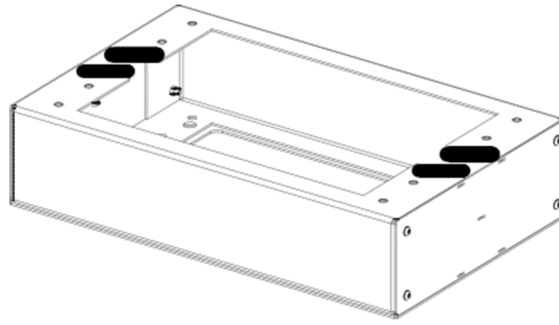
Part Number	Model Name	Description
760245928	AM-FDH-AM3200-XNN-VHUB-CABINET	AgileMax configured FHD cabinet, 8 AgileMax AM3200A-XNN-N1NNFS units connected to VHub requiring low upstream power, OBI Rescue, 60-90 VAC power, 12 input fibers, 288 output fibers
760245778	AM-FDH-AM3200-ANN-STANDARD-CABINET	AgileMax configured FHD cabinet, 8 AgileMax AM3200A-ANN-N1NNFS units for standard RFoG Deployment, 60-90 VAC power, 12 input fibers, 288 output fibers
760245779	AM-FDH-AM3217-ANN1-ANJ8-CABINET	AgileMax configured FHD cabinet, 1 AgileMax AM3217A-ANN-N1NNFS Parent Unit with 8 AgileMax AM3217A-ANJ-N1NNFS Child Units for Standard RFoG Deployment, eliminates the VHub, local PON injection ports, 60-90 VAC power, 12 input fibers, 288 output fibers

RELATED PRODUCTS

CHP CORWave® 4 Transmitters	CP8xxxx RFoG ONUs
CHP EDFAs	HT3545 Transmitters
CH3000	NH4000 VHub

Risers for Ground Mount Style Cabinets

Including in-hub splice option cabinets. Note: All Ground Mount FDH 3000 cabinets ship with one riser.

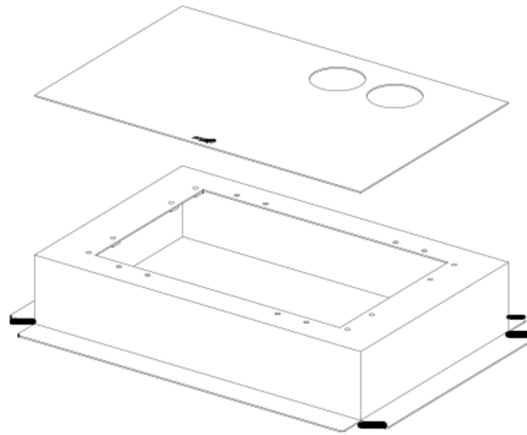


6" Split Spacer/Riser

ORDERING INFORMATION

Part Number	Description
FD3-RSRE06	6" ground spacer/riser for small (72–288 fibers) and medium (72–432 fibers) cabinets; raises cabinet an additional 6"

Pad Mount Frames

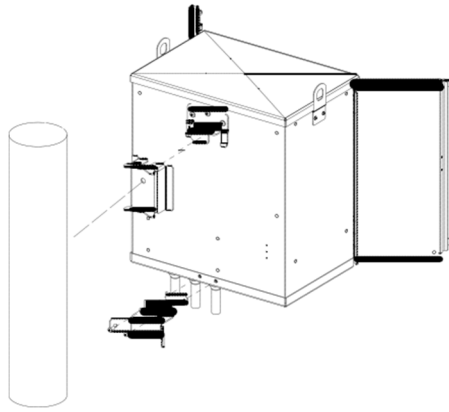


Pad Mount Frame Kit

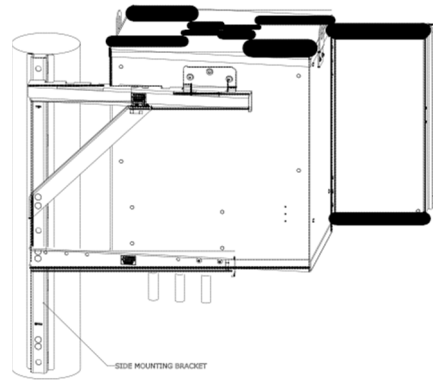
ORDERING INFORMATION

Part Number	Description
FD3-PMFE06	Small (72–288 fibers) and medium (72–432 fibers) pad mount frame

Pole Mount Accessories



Front Mount Bracket

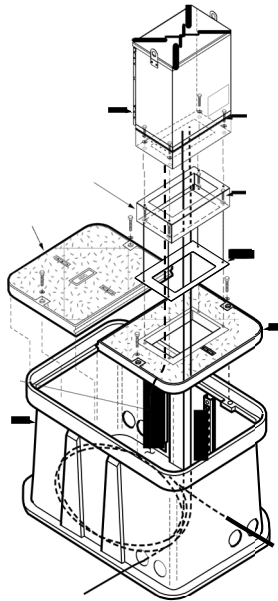


Side Mount Bracket

ORDERING INFORMATION

Part Number	Description
FD3-ACCUNVSMB	Side mount bracket

Hand Hole Kits



ORDERING INFORMATION

Part Number	Description
FMS-FD3EG-LKIT-A	48" x 60" Hand Hole and cover kit for extra small (24–144 fibers), small (72–288 fibers) and medium (72–432 fibers) cabinets

SPECIFICATIONS

Characteristics	Specification
Physical	
Total number of Rack Units Available	18
Slots in the LGX Frame ¹	16
Weight ²	304.23 lbs (138 kg)
Spare Ports	
Input Cable ³	4
Output Cable ³	32
Power Requirements	
Recommended Powering ⁴	60–90 VAC

NOTES:

1. For standard single wide LGX modules.
2. Skid Weight for shipping.
3. Terminated SC/APC in the parking lot.
4. Quasi-Squarewave HFC plant powering.

ORDERING INFORMATION ADDITIONAL OPTIONS

Model Name	Description
216 Tools – Can Wrench Keys	
OSP-216BKEY1	Nickel plated brass can wrench key for use in loosening/tightening security screws
OSP-216BKEY2	Aluminum can wrench key for use in loosening/tightening security screws
OSP-216BKEY3	Plastic can wrench key for use in loosening/tightening security screws
Cleaning Kits	
FPC-CLNKIT1	Alcohol cleaning kit for connector end faces
ACE-ACC-PTALMD	Almond touch up paint
Risers (All FDH 3000 cross-connect cabinets ship with one riser)	
FD3-RSRE06	6" ground spacer/riser for small (72–288 fibers) and medium (72–432 fibers) cabinets; raises cabinet an additional 6"
Hand Hole Kits	
FMS-ACE100-KIT-A	Hand Hole and cover kit for small (72–288 fibers) and medium (72–432 fibers) cabinets
Pad Mount Frames	
FD3-PMFE06	Small (72–288 fibers) and medium (72–432 fibers) pad mount frame
Replacement Door Handles	
FDH-ACCHNDLKT-3	Door Latch kit (latch only) FDH 3000, FONS 1, 2, and 3 cabinets
FDH-ACCPFP-HNDL-1	Handle replacement PFP cabinets

Contact Customer Care for product information and sales:

- United States: 866-36-ARRIS
- International: +1-678-473-5656



Note: Specifications are subject to change without notice.

Copyright Statement: © 2022 CommScope, Inc. All rights reserved. ARRIS, the ARRIS logo, AgileMax, CORWave, and Trans Max are trademarks of CommScope, Inc. and/or its affiliates. All other trademarks are the property of their respective owners. No part of this content may be reproduced in any form or by any means or used to make any derivative work (such as translation, transformation, or adaptation) without written permission from CommScope, Inc. and/or its affiliates ("CommScope"). CommScope reserves the right to revise or change this content from time to time without obligation on the part of CommScope to provide notification of such revision or change.

1513737_FDH3000 with AgileMax_DS_RevB