

# EPD3603-DCT6

---



Power Distribution Unit Kit , multimode for single and dual band tower mounted amplifiers (TMAs)

This product will be discontinued on: September 30, 2021

## Product Classification

**Product Type** Power distribution unit

## Included Products

- C61B01P37 – Alarm Cable Assembly for Power Distribution Units, 15 m
- C61B01P38 – Power Cable Assembly for Power Distribution Units, 15 m
- C61L01P01 – Power Cable Assembly, Bias Tee Harness, standard, 6 m
- D54G01P82 – Power Distribution Unit, multimode for single and dual band tower mounted amplifiers (TMAs)

# C61B01P37

---



Alarm Cable Assembly for Power Distribution Units, 15 m

## Product Classification

**Product Type** Alarm cable assembly

## General Specifications

**Application** Power distribution unit

**Conductor Type** 24 AWG

**Conductors, quantity** 3

**Connector Interface** 9-pin D-sub Male

## Dimensions

**Length** 15000 mm | 590.552 in

## Material Specifications

**Material Type** PVC

## Packaging and Weights

**Weight, net** 350 g | 0.772 lb

# C61B01P38

---



Power Cable Assembly for Power Distribution Units, 15 m

## Product Classification

**Product Type** Power cable assembly

## General Specifications

**Application** Power distribution unit  
**Conductor Type** 18 AWG  
**Conductors, quantity** 2  
**Connector Interface** Pluggable terminal block

## Dimensions

**Length** 15000 mm | 590.552 in

## Material Specifications

**Material Type** PVC

## Packaging and Weights

**Weight, net** 0.6 kg | 1.323 lb

# C61L01P01

---



Power Cable Assembly, Bias Tee Harness, standard, 6 m

## Product Classification

**Product Type** Power cable assembly

## General Specifications

**Application** Power distribution unit  
**Cables in Harness, quantity** 6  
**Conductor Type** RG174  
**Conductors, quantity** 1  
**Connector Interface** 9-pin D-sub Male | SMA Male

## Dimensions

**Length** 6000 mm | 236.221 in

## Material Specifications

**Material Type** PVC

## Packaging and Weights

**Weight, net** 0.9 kg | 1.984 lb

# D54G01P82

---

Power Distribution Unit, multimode for single and dual band tower mounted amplifiers (TMAs)



## Product Classification

**Product Type** Power distribution unit

## General Specifications

**Application** Indoor

**Color** Light gray

**LED Indicators, green** Normal | Power supply

**LED Indicators, red** Alarm | dc/dc Converter

**Modules per Unit, quantity** 1

**Output Control** 6-position DIP switch

**Output Interface** 9-pin D-sub Female

**Output Ports per Module, quantity** 6

## Dimensions

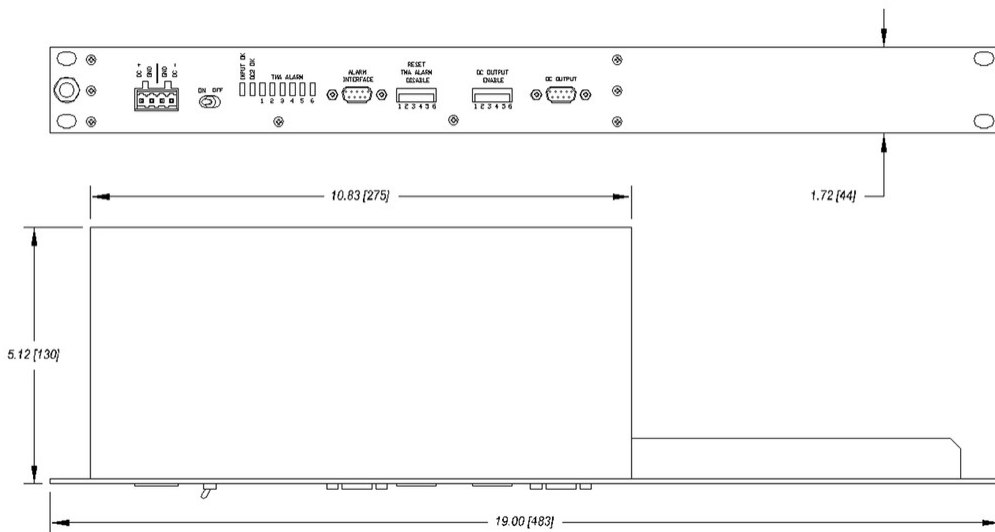
**Height** 44 mm | 1.732 in

**Width** 483 mm | 19.016 in

**Depth** 130 mm | 5.118 in

# D54G01P82

## Outline Drawing



## Electrical Specifications

<b>Input Lightning Surge Current</b>	1 kA
<b>Input Lightning Surge Current Waveform</b>	8/20 waveform
<b>Input Overcurrent Protection</b>	Internal slow blow fuse
<b>Input Voltage, operational</b>	20–60 Vdc
<b>Output Current per Port, maximum</b>	400 mA
<b>Output Current, maximum</b>	2.2 A
<b>Output Lightning Surge Current</b>	2 kA
<b>Output Lightning Surge Current Waveform</b>	8/20 waveform
<b>Output Overcurrent Protection</b>	Hiccup mode current limiting
<b>Output Voltage Ripple, maximum</b>	100 mVpp
<b>Output Voltage, typical</b>	12 V
<b>Alarm Control</b>	6-position DIP switch
<b>Alarm Current Range, high setting</b>	175–312 mA
<b>Alarm Current Range, low setting</b>	20–163 mA
<b>Alarm Interface</b>	9-pin D-sub Female
<b>Alarm Relays</b>	Normally closed   Normally open
<b>Electrical Safety Standard</b>	CE   EN 60950
<b>Power Consumption, maximum</b>	40 W

# D54G01P82

---

**Power Supply Control**

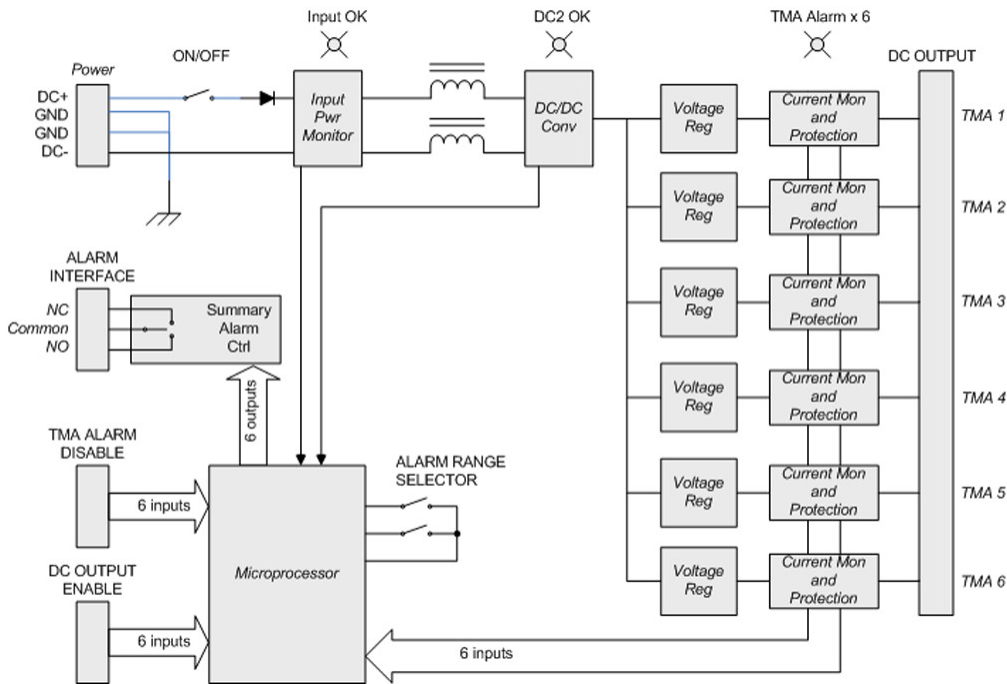
Toggle switch

**Power Supply Interface**

4-pin single row header Male

# D54G01P82

## Block Diagram



## Environmental Specifications

**Operating Temperature** -10 °C to +60 °C (+14 °F to +140 °F)

**Ingress Protection Test Method** IEC 60529:2001, IP20

## Packaging and Weights

**Weight, net** 1.1 kg | 2.425 lb