

E15V90P48

Quadplexer, dc bypass port 4



OBSOLETE

This product was discontinued on: July 1, 2022

Replaced By:

E16V90P48

Quadplexer, dc bypass port 4, with 4.3-10 connectors

Product Classification

Product Type Quadplexer

General Specifications

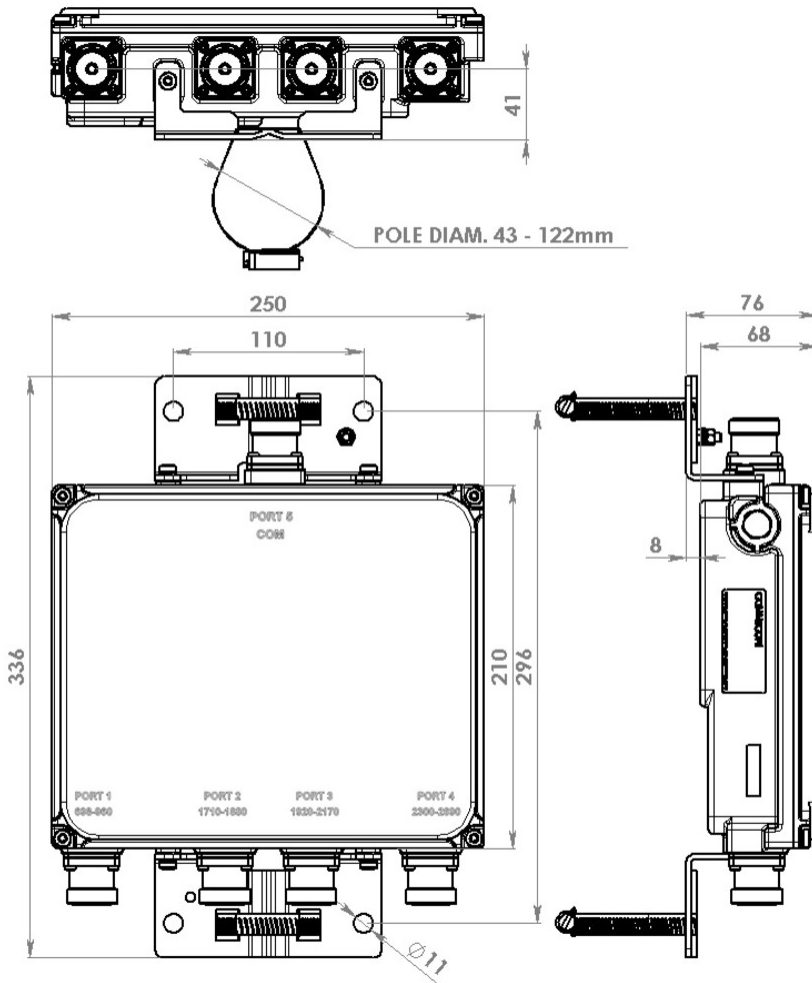
Product Family CBC7182126
Color Gray
Modularity 1-Single
Mounting Pole | Wall
Mounting Pipe Hardware Band clamps (2)
RF Connector Interface 7-16 DIN Female
RF Connector Interface Body Style Medium neck

Dimensions

Height 210 mm | 8.268 in
Width 250 mm | 9.843 in
Depth 68 mm | 2.677 in
Mounting Pipe Diameter Range 42.6–122 mm

E15V90P48

Outline Drawing



Electrical Specifications

| | |
|--------------------------------|--|
| Impedance | 50 ohm |
| License Band, Band Pass | APT 700 CEL 850 CEL 900 DCS 1800 EDD 800 IMT 2100 IMT 2600 LMR 800 LMR 900 |

Electrical Specifications, dc Power/Alarm

| | |
|--|---------------|
| dc/AISG Pass-through, combiner | Branch 4 |
| dc/AISG Pass-through, demultiplexer | Branch 4 |
| Lightning Surge Current | 5 kA |
| Lightning Surge Current Waveform | 8/20 waveform |

E15V90P48

Electrical Specifications, AISG

| | |
|--------------------------------|------------------------|
| AISG Carrier | 2176 KHz \pm 100 ppm |
| Insertion Loss, maximum | 0.5 dB |
| Return Loss, minimum | 10 dB |

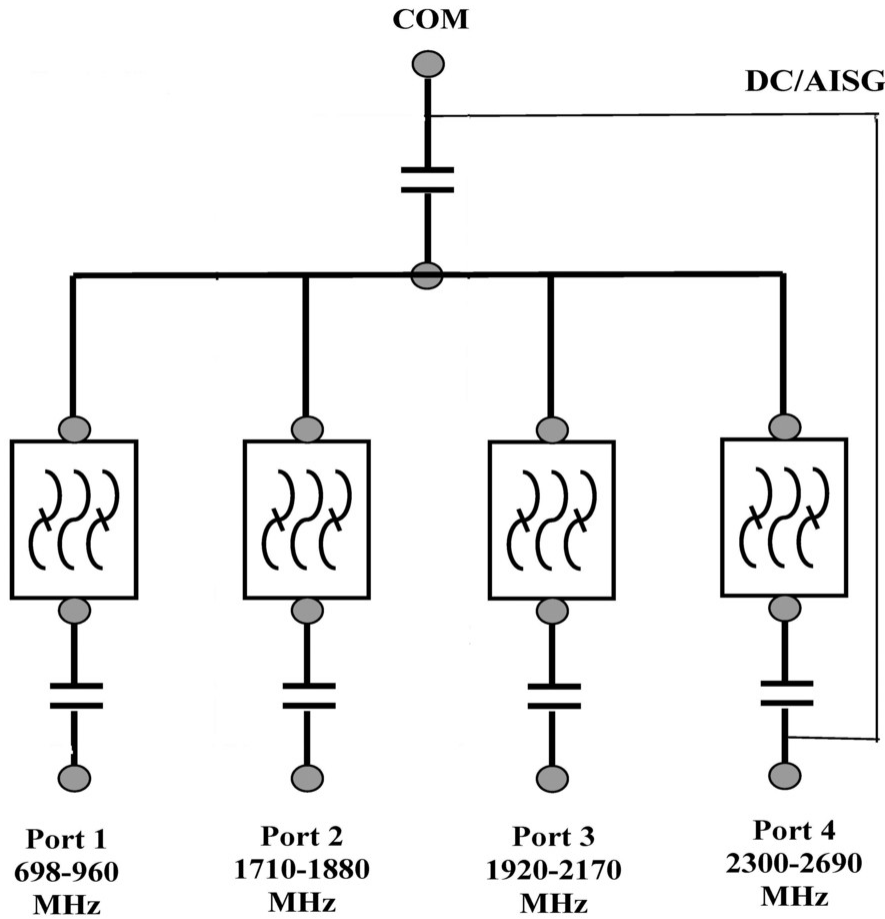
Electrical Specifications

| | | | | |
|-------------------------|--|---------------------|---------------------|---------------------|
| Sub-module | 1 | 1 | 1 | 1 |
| Branch | 1 | 2 | 3 | 4 |
| Port Designation | PORT 1 698-960 | PORT 2 1710-1880 | PORT 3 1920-2170 | PORT 4 2300-2690 |
| License Band | APT 700, Band Pass CEL 850, Band Pass CEL 900, Band Pass EDD 800, Band Pass LMR 800, Band Pass LMR 900, Band Pass | DCS 1800, Band Pass | IMT 2100, Band Pass | IMT 2600, Band Pass |

Electrical Specifications, Band Pass

| Frequency Range, MHz | 698–960 | 1710–1880 | 1920–2170 | 2300–2690 |
|-------------------------------------|----------------------|----------------------|----------------------|----------------------|
| Insertion Loss, typical, dB | 0.1 | 0.2 | 0.2 | 0.15 |
| Return Loss, minimum, dB | 18 | 18 | 18 | 18 |
| Return Loss, typical, dB | 20 | 20 | 20 | 20 |
| Isolation, minimum, dB | 50 | 50 | 50 | 50 |
| Input Power, RMS, maximum, W | 300 | 300 | 300 | 200 |
| 3rd Order PIM, maximum, dBc | -153 | -153 | -153 | -153 |
| 3rd Order PIM Test Method | Two +43 dBm carriers | Two +43 dBm carriers | Two +43 dBm carriers | Two +43 dBm carriers |

Block Diagram



Mechanical Specifications

Wind Speed, maximum 216 km/h | 134.216 mph

Environmental Specifications

Operating Temperature -40 °C to +65 °C (-40 °F to +149 °F)

Relative Humidity 15%–100%

Corrosion Test Method IEC 60068-2-11, 30 days

Ingress Protection Test Method IEC 60529:2001, IP67

Vibration Test Method IEC 60068-2-6

Packaging and Weights

Included Mounting hardware

E15V90P48

Weight, net

5 kg | 11.023 lb