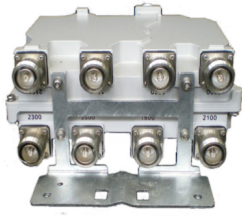


# E15V90P43



## Twin Quadplexer 1800/2100/2300/2600 MHz, dc bypass on all ports

- Industry leading PIM performance
- Designed for network modernization application, introduction of LTE2300 and LTE2600 on existing site
- Designed for network modernization application, introduction of LTE 4x4 MIMO
- Suitable for feeders cables reduction
- dc/AISG pass-through on all frequency ports
- Twin configuration

### OBSOLETE

This product was discontinued on: July 1, 2022

#### Replaced By:

E16V90P56

Twin Quadplexer 1800//2100//2300//2600 MHz, All ports DC bypass, with 4.3-10 connectors

## Product Classification

**Product Type** Quadplexer

## General Specifications

**Product Family** CBC18212326

**Color** Gray

**Modularity** 2-Twin

**Mounting** Pole | Wall

**Mounting Pipe Hardware** Band clamps (2)

**RF Connector Interface** 7-16 DIN Female

**RF Connector Interface Body Style** Medium neck

## Dimensions

**Height** 205 mm | 8.071 in

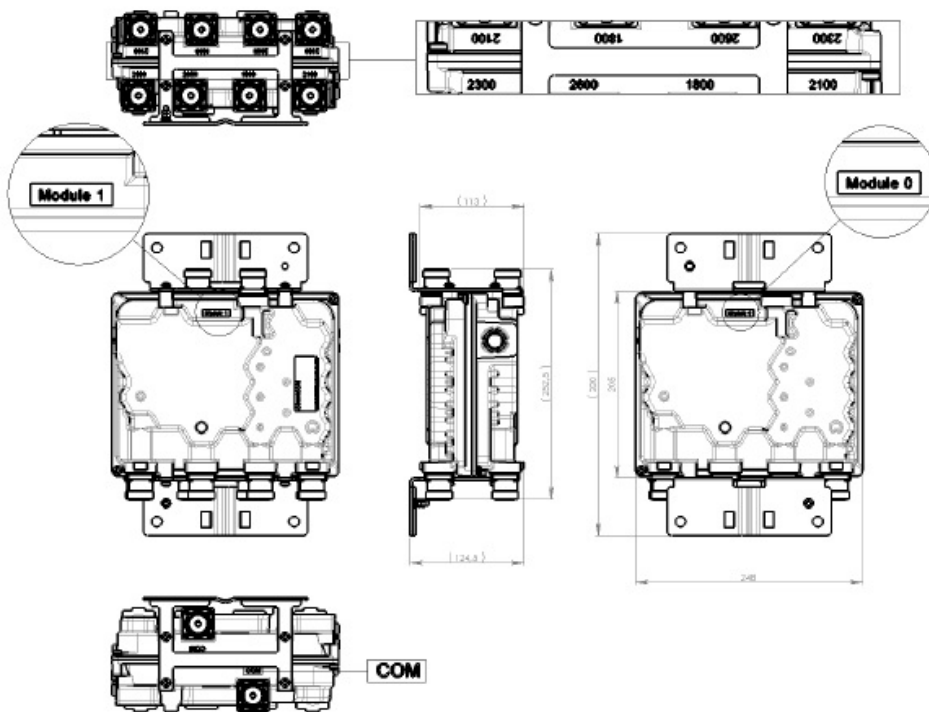
**Width** 250 mm | 9.843 in

**Depth** 113 mm | 4.449 in

**Mounting Pipe Diameter Range** 42.6–122 mm

## Outline Drawing

# E15V90P43



## Electrical Specifications

<b>Impedance</b>	50 ohm
<b>License Band, Band Pass</b>	DCS 1800   IMT 2100   IMT 2600   WCS 2300

## Electrical Specifications, dc Power/Alarm

<b>dc/AISG Pass-through, combiner</b>	Branch 1   Branch 2   Branch 3   Branch 4
<b>dc/AISG Pass-through, demultiplexer</b>	Branch 1   Branch 2   Branch 3   Branch 4
<b>Lightning Surge Current</b>	5 kA
<b>Lightning Surge Current Waveform</b>	8/20 waveform

## Electrical Specifications, AISG

<b>AISG Carrier</b>	2176 KHz $\pm$ 100 ppm
<b>Insertion Loss, maximum</b>	0.5 dB
<b>Return Loss, minimum</b>	10 dB

## Electrical Specifications

<b>Sub-module</b>	1   2	1   2	1   2	1   2
-------------------	-------	-------	-------	-------

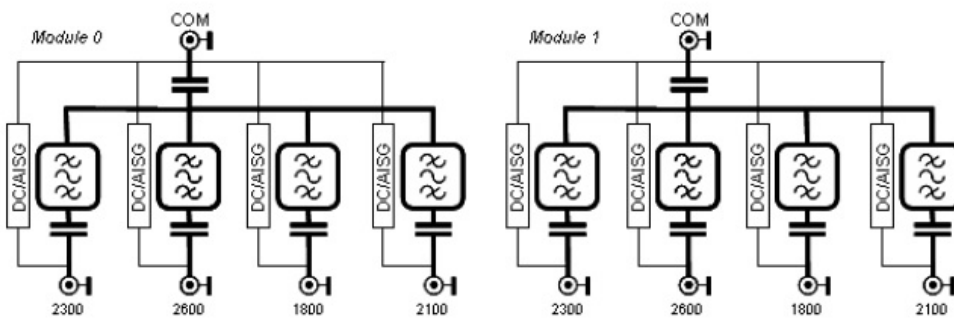
# E15V90P43

<b>Branch</b>	1	2	3	4
<b>Port Designation</b>	1800	2100	2300	2600
<b>License Band</b>	DCS 1800, Band Pass	IMT 2100, Band Pass	WCS 2300, Band Pass	IMT 2600, Band Pass

## Electrical Specifications, Band Pass

<b>Frequency Range, MHz</b>	<b>1710–1880</b>	<b>1920–2170</b>	<b>2302–2400</b>	<b>2500–2690</b>
<b>Insertion Loss, typical, dB</b>	0.4	0.4	0.35	0.3
<b>Return Loss, typical, dB</b>	20	20	20	20
<b>Isolation, minimum, dB</b>	50	50	50	50
<b>Input Power, RMS, maximum, W</b>	300	300	300	300
<b>3rd Order PIM, typical, dBc</b>	-160	-160	-160	-160
<b>3rd Order PIM Test Method</b>	Two +43 dBm carriers	Two +43 dBm carriers	Two +43 dBm carriers	Two +43 dBm carriers

## Block Diagram



## Mechanical Specifications

**Wind Speed, maximum** 216 km/h (134 mph)

## Environmental Specifications

**Operating Temperature** -40 °C to +65 °C (-40 °F to +149 °F)

# E15V90P43

---

<b>Relative Humidity</b>	15%–100%
<b>Corrosion Test Method</b>	IEC 60068-2-11, 30 days
<b>Ingress Protection Test Method</b>	IEC 60529:2001, IP67
<b>Vibration Test Method</b>	IEC 60068-2-6

## Packaging and Weights

<b>Included</b>	Mounting hardware
<b>Weight, net</b>	7.6 kg   16.755 lb