

# E15V90P39

## Quadplexer, dc bypass port 3



### OBSOLETE

This product was discontinued on: July 1, 2022

#### Replaced By:

E16V90P39

Quadplexer, dc bypass port 3, with 4.3-10 connectors

## Product Classification

**Product Type** Quadplexer

## General Specifications

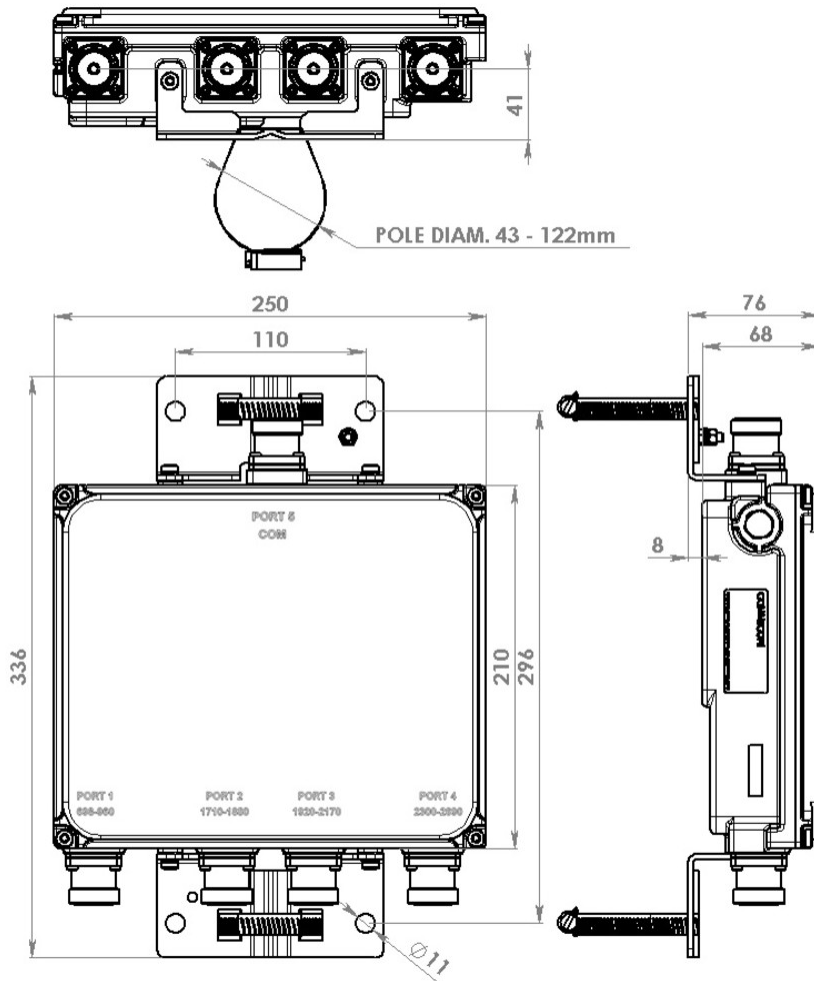
<b>Product Family</b>	CBC7182126
<b>Color</b>	Gray
<b>Common Port Label</b>	PORT 0 COM
<b>Modularity</b>	1-Single
<b>Mounting</b>	Pole   Wall
<b>Mounting Pipe Hardware</b>	Band clamps (2)
<b>RF Connector Interface</b>	7-16 DIN Female
<b>RF Connector Interface Body Style</b>	Medium neck

## Dimensions

<b>Height</b>	210 mm   8.268 in
<b>Width</b>	250 mm   9.843 in
<b>Depth</b>	68 mm   2.677 in
<b>Mounting Pipe Diameter Range</b>	42.6–122 mm

# E15V90P39

## Outline Drawing



## Electrical Specifications

<b>Impedance</b>	50 ohm
<b>License Band, Band Pass</b>	APT 700   CEL 850   CEL 900   DCS 1800   EDD 800   IMT 2100   IMT 2600   LMR 800   LMR 900

## Electrical Specifications, dc Power/Alarm

<b>dc/AISG Pass-through, combiner</b>	Branch 3
<b>dc/AISG Pass-through, demultiplexer</b>	Branch 3
<b>Lightning Surge Current</b>	5 kA
<b>Lightning Surge Current Waveform</b>	8/20 waveform

# E15V90P39

## Electrical Specifications, AISG

<b>AISG Carrier</b>	2176 KHz ± 100 ppm
<b>Insertion Loss, maximum</b>	0.5 dB
<b>Return Loss, minimum</b>	10 dB

## Electrical Specifications

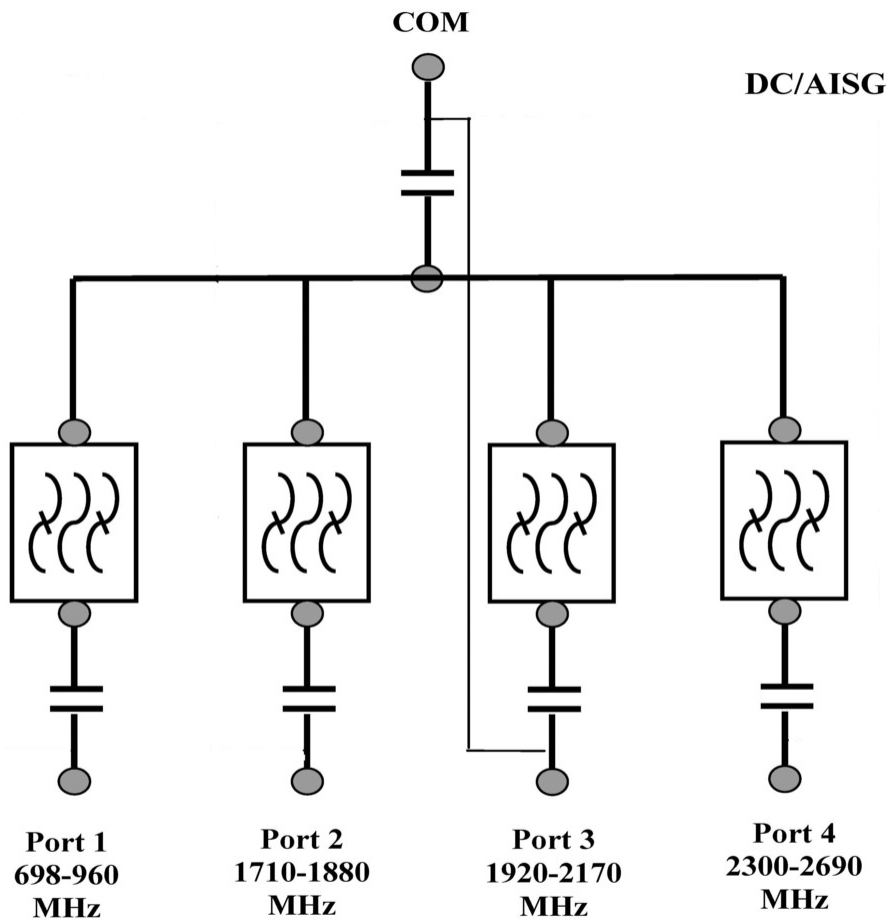
<b>Sub-module</b>	<b>1</b>	<b>1</b>	<b>1</b>	<b>1</b>
<b>Branch</b>	1	2	3	4
<b>Port Designation</b>	PORT 1 698-960	PORT 2 1710-1880	PORT 3 1920-2170	PORT 4 2300-2690
<b>License Band</b>	APT 700, Band Pass CEL 850, Band Pass CEL 900, Band Pass EDD 800, Band Pass LMR 800, Band Pass LMR 900, Band Pass	DCS 1800, Band Pass	IMT 2100, Band Pass	IMT 2600, Band Pass

## Electrical Specifications, Band Pass

<b>Frequency Range, MHz</b>	<b>698–960</b>	<b>1710–1880</b>	<b>1920–2170</b>	<b>2300–2690</b>
<b>Insertion Loss, typical, dB</b>	0.1	0.2	0.2	0.15
<b>Return Loss, minimum, dB</b>	18	18	18	18
<b>Return Loss, typical, dB</b>	20	20	20	20
<b>Isolation, minimum, dB</b>	50	50	50	50
<b>Input Power, RMS, maximum, W</b>	300	300	300	200
<b>3rd Order PIM, maximum, dBc</b>	-153	-153	-153	-153
<b>3rd Order PIM Test Method</b>	Two +43 dBm carriers	Two +43 dBm carriers	Two +43 dBm carriers	Two +43 dBm carriers

## Block Diagram

# E15V90P39



## Mechanical Specifications

**Wind Speed, maximum** 216 km/h | 134.216 mph

## Environmental Specifications

**Operating Temperature** -40 °C to +65 °C (-40 °F to +149 °F)

**Relative Humidity** 15%–100%

**Corrosion Test Method** IEC 60068-2-11, 30 days

**Ingress Protection Test Method** IEC 60529:2001, IP67

**Vibration Test Method** IEC 60068-2-6

## Packaging and Weights

**Included** Mounting hardware

# E15V90P39

---

**Weight, net**

5 kg | 11.023 lb