

# E15S02P80

---



Dual Band Tower Mounted Amplifier, 1800//2600 MHz, 12 dB, 2 BTS & 2 ANT ports, AISG with 1 RET connector (2 devices with 2 sub-units) with improved Out of Band Tx rejection

## OBSOLETE

This product was discontinued on: June 30, 2022

## Product Classification

**Product Type** 1-BTS:1-ANT (Uniplex) | Tower mounted amplifier

## General Specifications

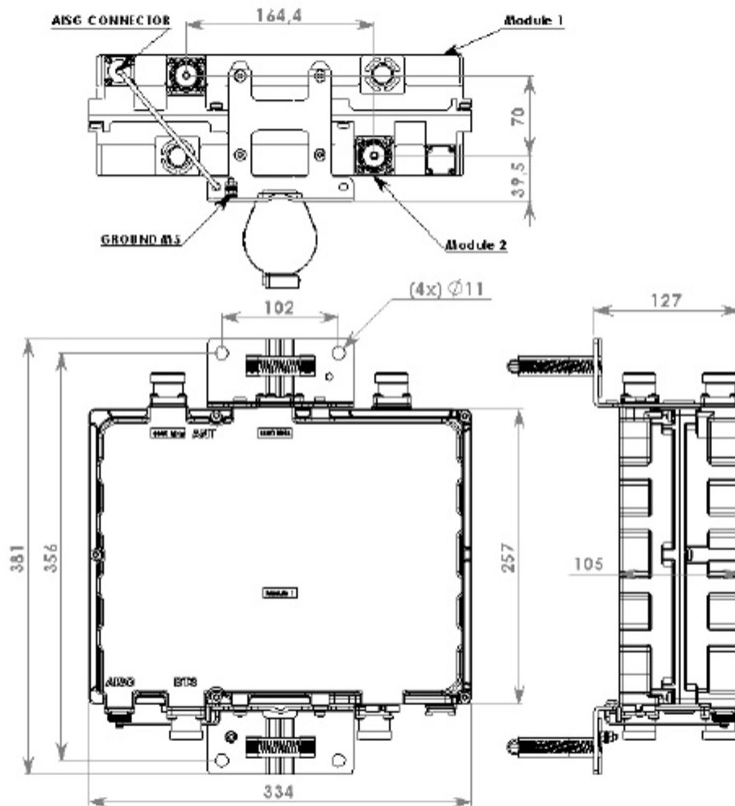
**Color** Gray  
**Modularity** 2-Twin  
**Mounting** Pole | Wall  
**Mounting Pipe Hardware** Band clamps (2)  
**RF Connector Interface** 7-16 DIN Female

## Dimensions

**Height** 257 mm | 10.118 in  
**Width** 334 mm | 13.15 in  
**Depth** 105 mm | 4.134 in  
**Mounting Pipe Diameter Range** 42.6–122 mm

# E15S02P80

## Outline Drawing



## Electrical Specifications

**License Band, LNA** DCS 1800 | IMT 2600

## Electrical Specifications, dc Power/Alarm

|                                         |               |
|-----------------------------------------|---------------|
| <b>dc Switching/Redundancy</b>          | Yes           |
| <b>Lightning Surge Current</b>          | 10 kA         |
| <b>Lightning Surge Current Waveform</b> | 8/20 waveform |
| <b>Voltage</b>                          | 10–30 Vdc     |
| <b>Alarm Current, CWA Mode</b>          | 190 mA ±10 mA |

## Electrical Specifications, AISG

|                                |                  |
|--------------------------------|------------------|
| <b>AISG Connector</b>          | 8-pin DIN Female |
| <b>AISG Connector Standard</b> | IEC 60130-9      |
| <b>Protocol</b>                | AISG 2.0         |

# E15S02P80

**Voltage, AISG Mode** 10–30 Vdc

## Electrical Specifications

|                                               |               |               |
|-----------------------------------------------|---------------|---------------|
| <b>Sub-module</b>                             | <b>1   2</b>  | <b>1   2</b>  |
| <b>Branch</b>                                 | 1             | 1             |
| <b>Port Designation</b>                       | ANT           | ANT           |
| <b>License Band</b>                           | DCS 1800, LNA | IMT 2600, LNA |
| <b>Return Loss - Bypass Mode, typical, dB</b> | 14            | 14            |

## Electrical Specifications Rx (Uplink)

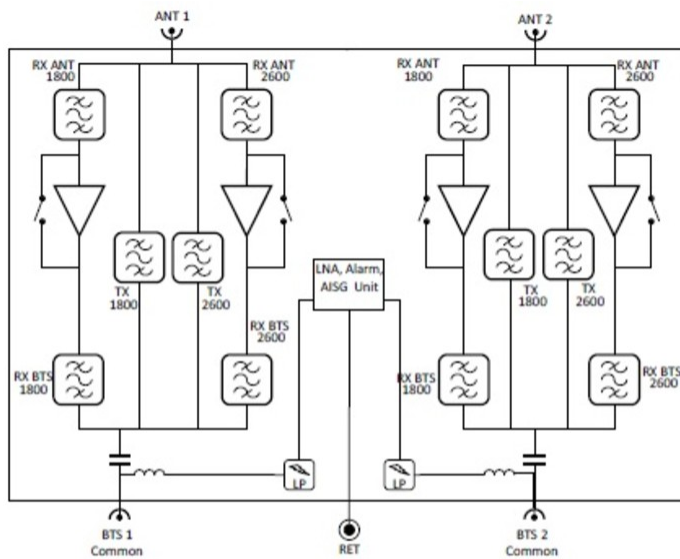
|                                                  |                  |                  |
|--------------------------------------------------|------------------|------------------|
| <b>Frequency Range, MHz</b>                      | <b>1710–1785</b> | <b>2500–2570</b> |
| <b>Bandwidth, MHz</b>                            | 75               | 70               |
| <b>Gain, nominal, dB</b>                         | 12               | 12               |
| <b>Noise Figure, typical, dB</b>                 | 1.4              | 1.3              |
| <b>Output IP3, minimum, dBm</b>                  | 20               | 25               |
| <b>Return Loss, minimum, dB</b>                  | 18               | 18               |
| <b>Insertion Loss - Bypass Mode, typical, dB</b> | 2.1              | 2.2              |

## Electrical Specifications Tx (Downlink)

|                                     |                      |                      |
|-------------------------------------|----------------------|----------------------|
| <b>Frequency Range, MHz</b>         | <b>1805–1880</b>     | <b>2620–2690</b>     |
| <b>Bandwidth, MHz</b>               | 75                   | 70                   |
| <b>Insertion Loss, typical, dB</b>  | 0.4                  | 0.5                  |
| <b>Return Loss, minimum, dB</b>     | 18                   | 18                   |
| <b>Input Power, RMS, maximum, W</b> | 200                  | 200                  |
| <b>Input Power, PEP, maximum, W</b> | 2000                 | 2000                 |
| <b>3rd Order PIM, maximum, dBc</b>  | -153                 | -153                 |
| <b>3rd Order PIM Test Method</b>    | Two +43 dBm carriers | Two +43 dBm carriers |

## Block Diagram

# E15S02P80



## Mechanical Specifications

**Wind Speed, maximum** 200 km/h | 124.274 mph

## Environmental Specifications

**Operating Temperature** -40 °C to +65 °C (-40 °F to +149 °F)

**Relative Humidity** Up to 100%

**Corrosion Test Method** IEC 60068-2-11, 30 days

**Ingress Protection Test Method** IEC 60529:2001, IP67

## Packaging and Weights

**Included** Mounting hardware

**Volume** 9 L

**Weight, net** 10.5 kg | 23.149 lb

## Regulatory Compliance/Certifications

### Agency

ISO 9001:2015

### Classification

Designed, manufactured and/or distributed under this quality management system



## \* Footnotes

**License Band, LNA** License Bands that have RxUplink amplification