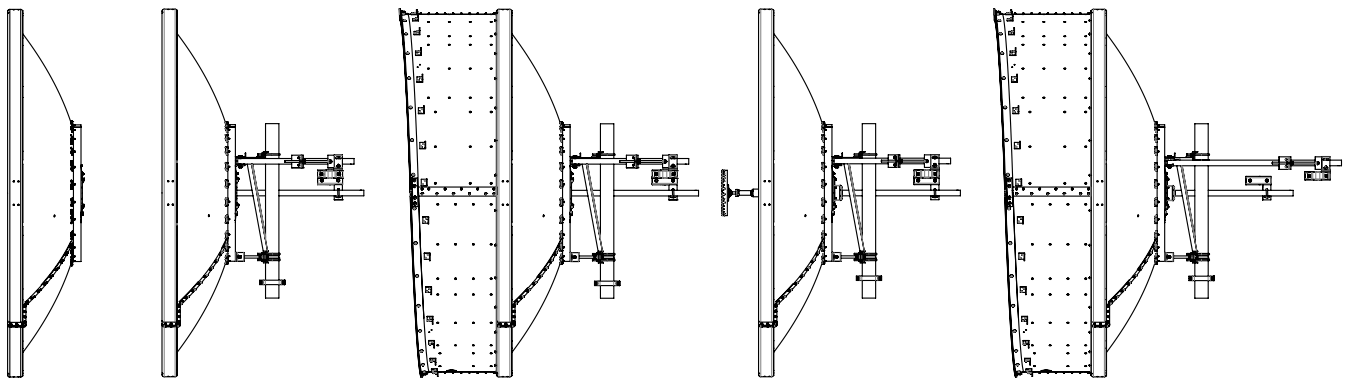
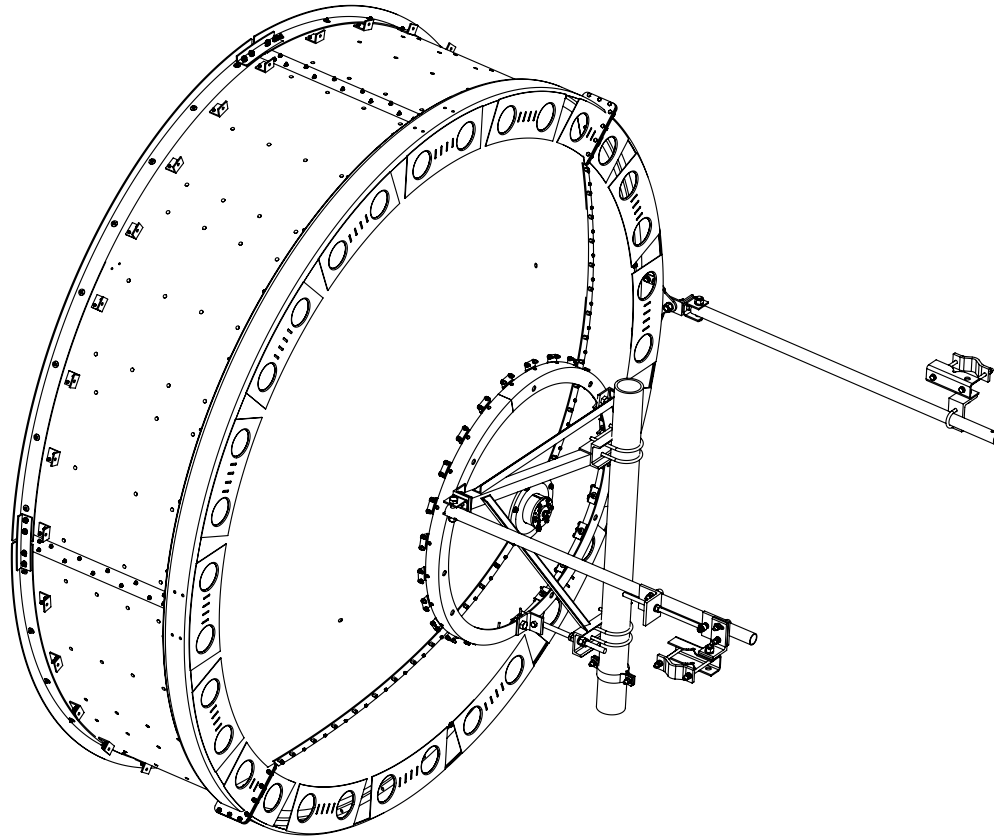


**IMPORTANT!**

**INSTALLATION  
INSTRUCTIONS**

**READ THIS  
MANUAL FULLY  
BEFORE STARTING  
INSTALLATION**

## Antenna Shield Assembly



Split Reflector

Mount

Shield

Feed  
Shield omitted for clarity

Radome

## Sequence of Antenna Assembly

**Always read the entire manual before commencing installation**

**CommScope**  
1100 CommScope Place SE P.O. Box 339, Hickory, NC 28603-0339  
(828) 324-2200 (800) 982-1708  
www.commscope.com

Notice: CommScope disclaims any liability or responsibility for the results of improper or unsafe installation, inspection, maintenance, or removal practices.  
Aviso: CommScope no acepta ninguna obligación ni responsabilidad como resultado de prácticas incorrectas o peligrosas de instalación, inspección, mantenimiento o retiro. Avis : CommScope décline toute responsabilité pour les conséquences de procédures d'installation, d'inspection, d'entretien ou de retrait incorrectes ou dangereuses. Hinweis: CommScope lehnt jede Haftung oder Verantwortung für Schäden ab, die aufgrund unsachgemäßer Installation, Überprüfung, Wartung oder Demontage auftreten.  
Atenção: A CommScope abdica do direito de toda responsabilidade pelos resultados de práticas inadequadas e sem segurança de instalação, inspeção, manutenção ou remoção. Avvertenza: CommScope declina eventuali responsabilità derivanti dall'esecuzione di procedure di installazione, ispezione, manutenzione e smontaggio improprie o poco sicure.

注意：CommScope 公司申明對於不恰當或不安全的安裝、檢驗、維修或拆卸操作所導致的後果不負任何義務和責任  
© June, 2018 CommScope

**Customer Service 24 hours**  
North America: +1-800-255-1479 (toll free)  
Any country: +1-779-435-6500  
email: acicustomersupportcenter@commscope.com



**LIST OF CONTENTS**

<b><u>SECTION</u></b>	<b><u>TITLES</u></b>
<b>1</b>	<b>INTRODUCTION</b>
<b>2</b>	<b>SAFETY INSTRUCTIONS</b> Including Introduction, Standards, Safety Requirements, Safety Symbols, Definitions and Hazards.
<b>3</b>	<b>COMPONENTS &amp; TOOLS</b> Including Components supplied diagram, Component quantities and descriptions. Tools required.
<b>4</b>	<b>ASSEMBLY OF SHIELD</b>
<b>5</b>	<b>ASSEMBLY OF SHIELD TO REFLECTOR</b>

**SAFETY INSTRUCTIONS****NOTE:**

Reduce the risk of accidents by studying all the instructions carefully before starting working.

The safety information in this document presupposes that any person performing work on CommScope products or systems has the education, training and competence required to perform the task correctly.

**SERVICE PERSONNEL**

Installation and service must be carried out by authorized personnel having the appropriate technical training and experience necessary to be cognizant of hazards during installation and service, and of measures to minimize any danger to themselves or any other person.

**SAFETY REQUIREMENTS & REGULATIONS**

The safety requirements in the following sections must be followed to avoid personal injury and damage to tangible property.

Use local safety regulations where these are mandatory. The safety instructions in this document shall be used as a supplement to the local regulations.

In case of conflict between the safety instructions in this manual and the local safety regulations, the local safety regulations shall prevail if these are mandatory. If the local regulations are not mandatory the safety instructions in this manual shall prevail.

**SAFETY SYMBOLS & DEFINITIONS****HOISTING****WARNING!**

Falling objects can cause accidents.

- Use only tested and approved hoisting equipment in accordance with the instructions supplied with the equipment. Appropriately trained personnel must operate the hoisting device.
- Always hoist from a suitable location.
- Never walk under hoisted loads.
- Follow local regulations for safety clothing and safety equipment for hoisting or moving goods.

**WORKING AT HEIGHTS****WARNING!**

Some working areas involve the risk of accidents caused by falling or by falling objects

**INSTALLATION HARDWARE**

Do not use any installation components (for example screws and nuts) other than those enclosed with the equipment or recommended by CommScope.

**INSTALLATION PROCEDURES & TOOLS**

The installation procedures in this manual must be followed. Make sure that:

- Working instructions are followed.
- Recommended tools are used.
- Adequate safety devices are used.
- The risk of falling and falling objects is known.
- All hardware is tightened to the torques specified  $\pm 5\%$ . The integrity of the antenna depends on all fasteners being tightened correctly.

**ANNUAL INSPECTION**

Antenna systems should be inspected once a year by qualified personnel to verify proper installation, maintenance and condition of equipment.

<b>Tools Required</b>	<b>M6</b>	<b>M8</b>	<b>M10</b>
Ring and Open spanner (A/F)	10mm	13mm	17mm
Torque Wrench	7.7Nm - 38Nm		
Sockets (A/F)	10mm	13mm	17mm

## Tightening of hardware

It is recommended that all hardware is tightened to the torques specified in table 3. The integrity of the completed assembly depends on all fasteners being properly tightened.

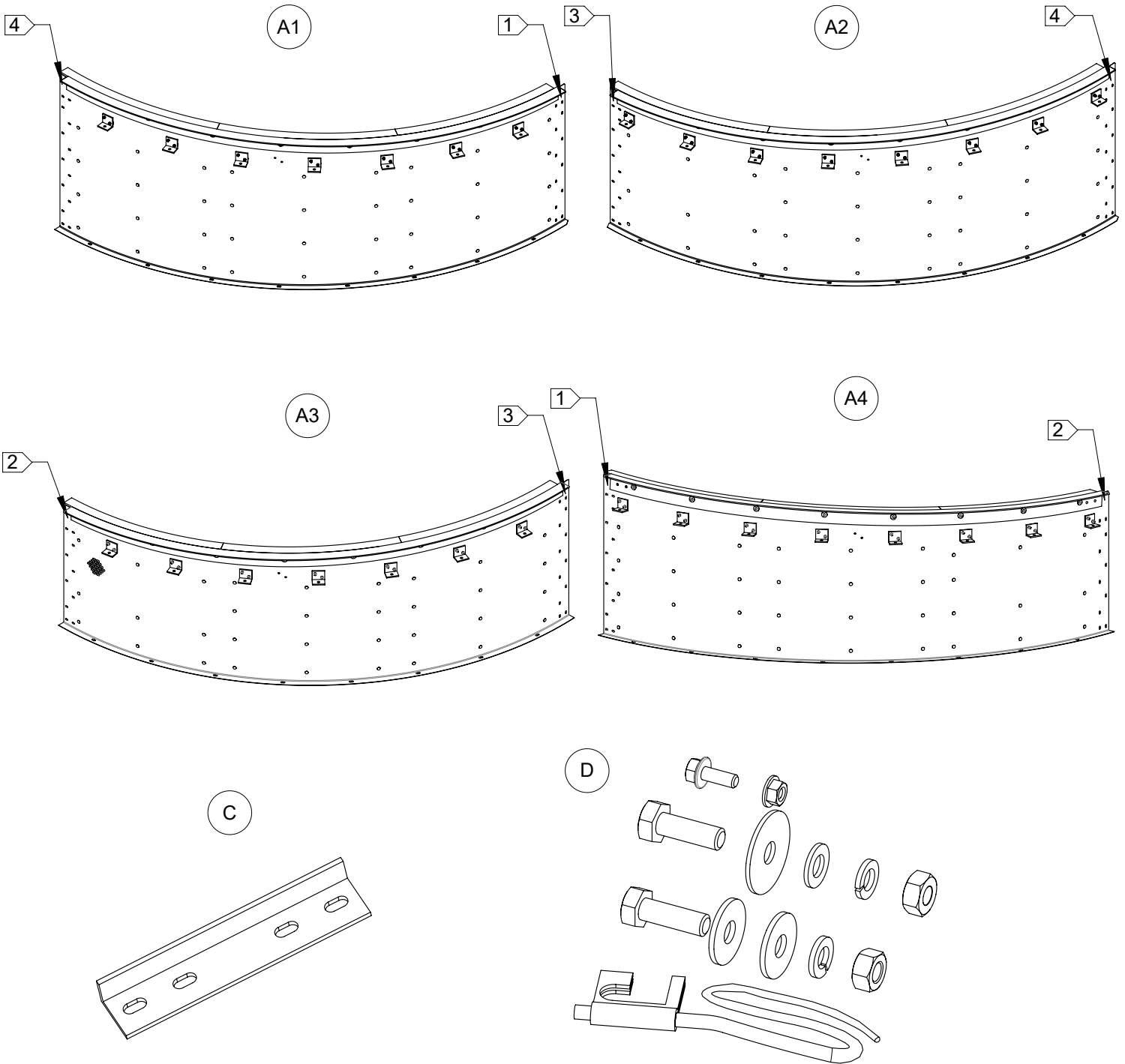
*Table 3: Fastener Torque Specifications*

<b>Fastener material</b>		<b>Fastener size</b>		
		<b>M6</b>	<b>M8</b>	<b>M10</b>
<b>Stainless Steel</b>	N-m	7.7	19	38
	lbf-ft	5.7	14	28

**Supplied Components**

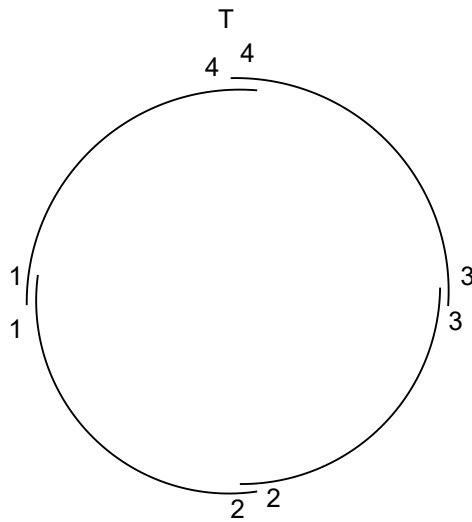
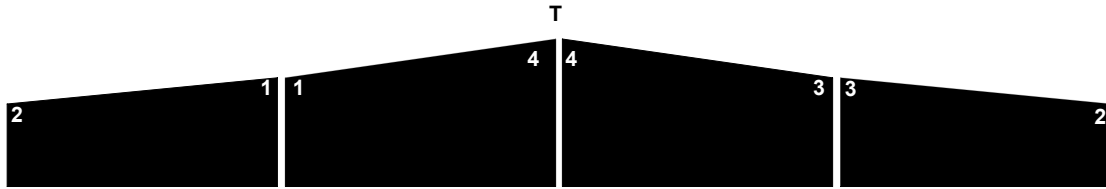
Item	Description	Remarks
<b>A</b>	<b>Shield Assembly Set</b>	
	<b>A1</b> Shield Assembly (part number *-1)	
	<b>A2</b> Shield Assembly (part number *-2)	
	<b>A3</b> Shield Assembly (part number *-3)	
	<b>A4</b> Shield Assembly (part number *-4)	
<b>C</b>	Joint Plate	
<b>D</b>	<b>Shield Hardware Kit</b>	
	M10 x 30 Hex Hd Screw - sst, pass	
	M10 Nut - sst, pass	
	M10 Flat Washer - sst, pass	
	M10 Large Flat Washer - Alum	
	M10 Lock Washer - sst, pass	
	M6 x 16 Flanged Hex Hd Screw - sst, pass	
	M6 Flanged Nut - sst, pass	
	M8 x 25 Hex Hd Screw - sst, pass	
	M8 Large Flat Washer - sst, pass	
	M8 Lock Washer - sst, pass	
	M8 Nut - sst, pass	
	Gasket Clip	
	RF Gasket Material	

**Components**

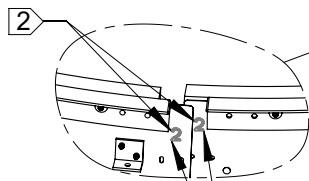
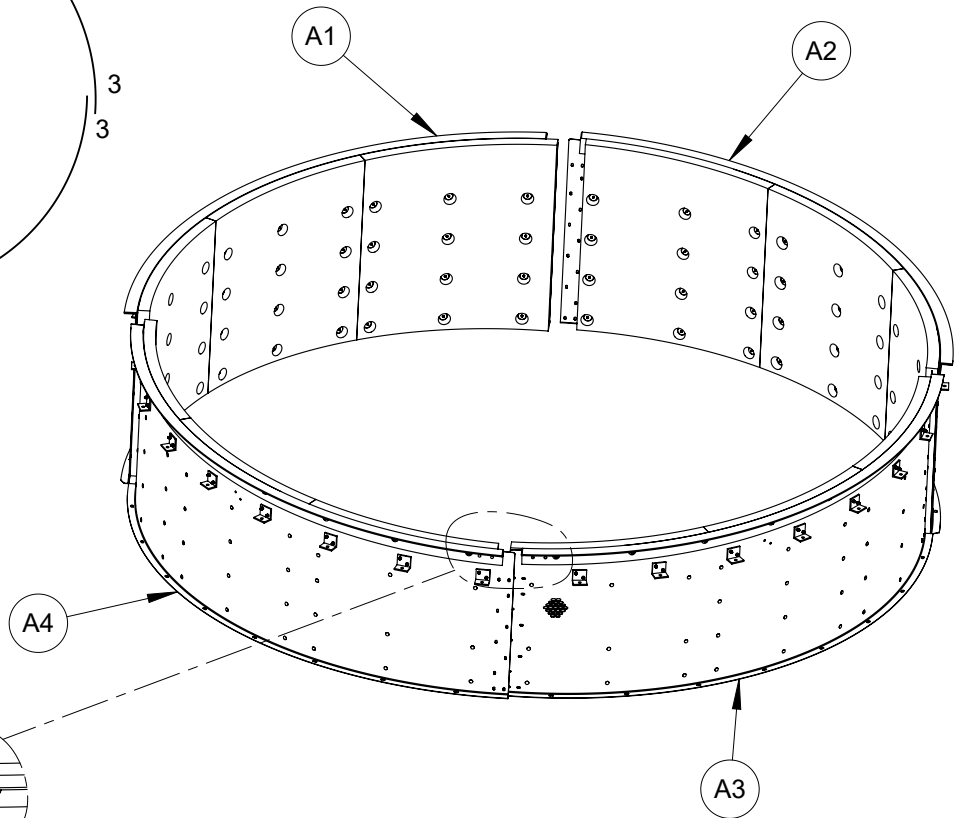




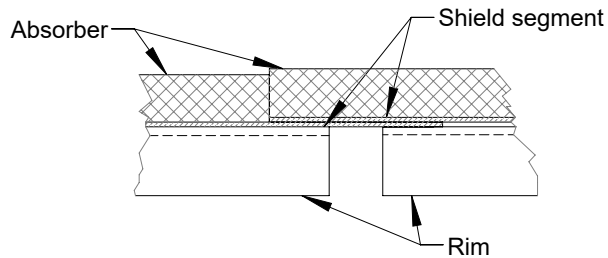
**Shield assembly number sequence (Absorber face up)**



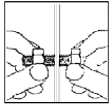
**ATTENTION**  
shield overlap  
arrangement



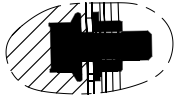
Match numbers  
on shield edging



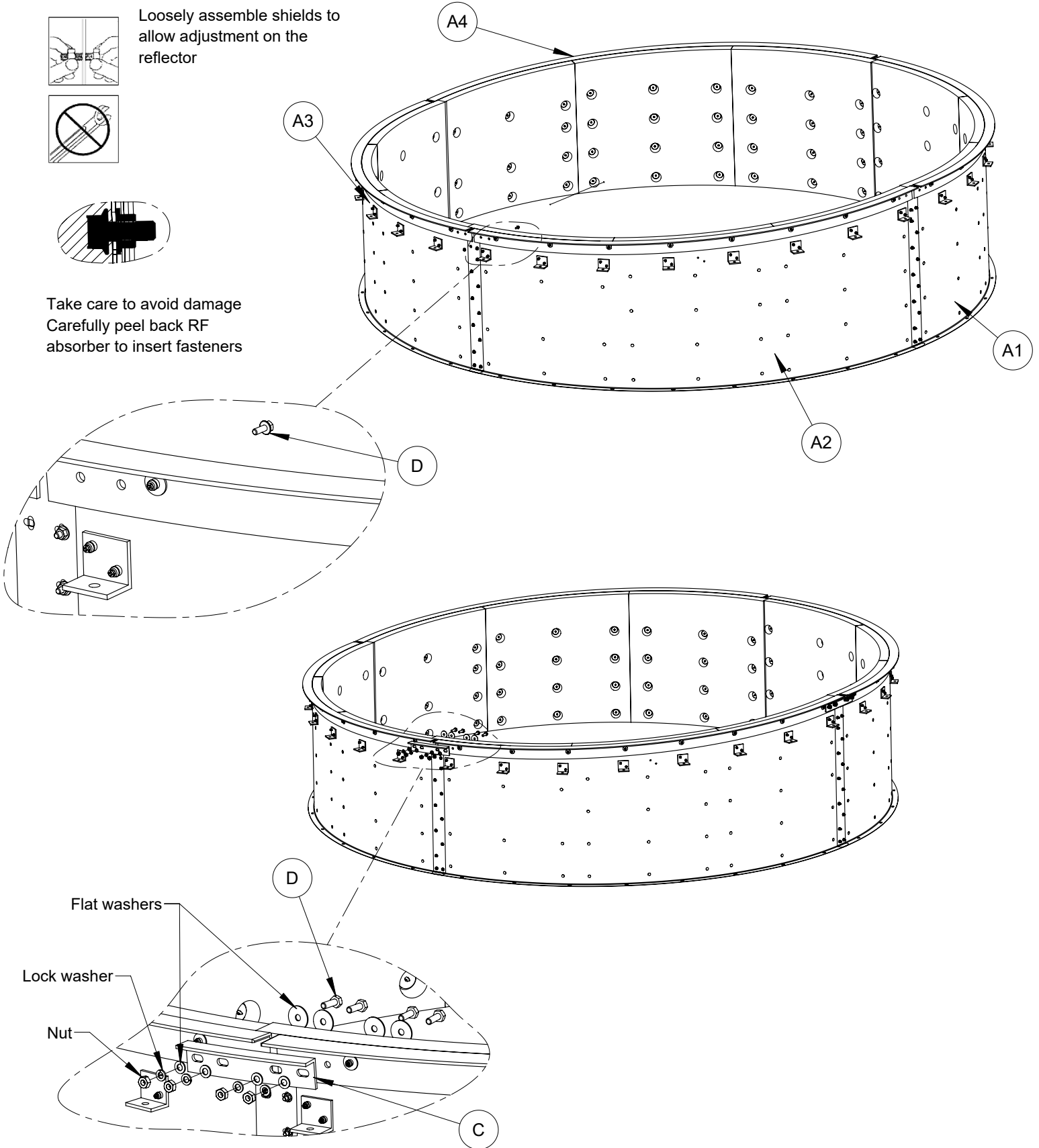
Push shield segment behind rim

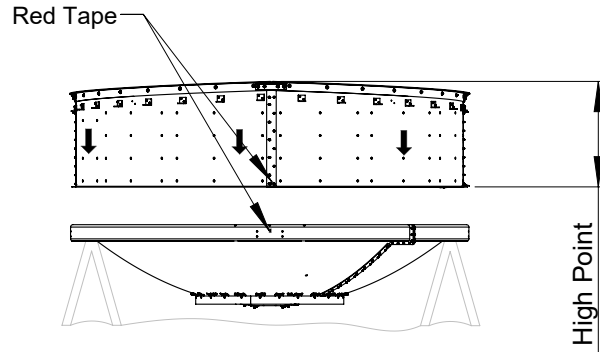


Loosely assemble shields to allow adjustment on the reflector

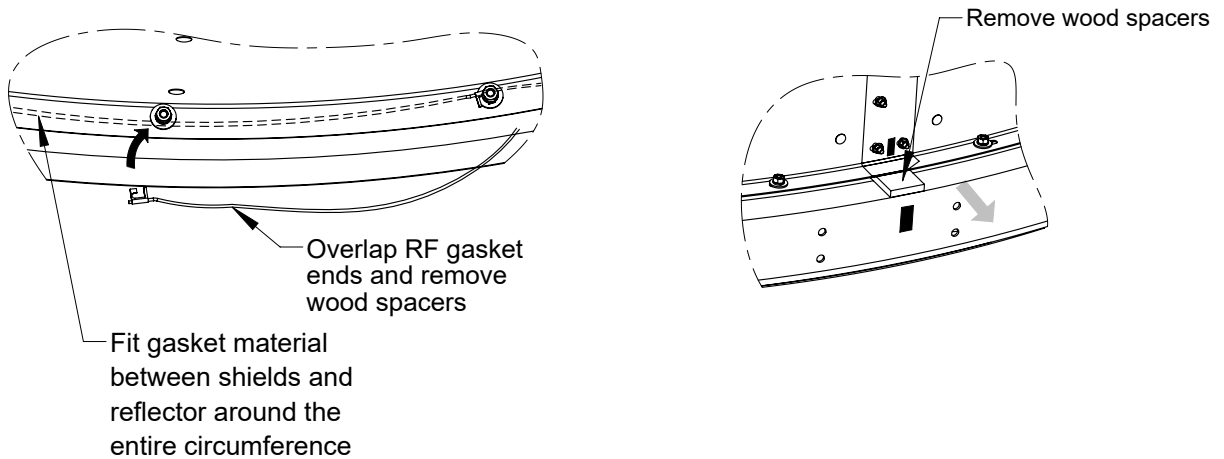
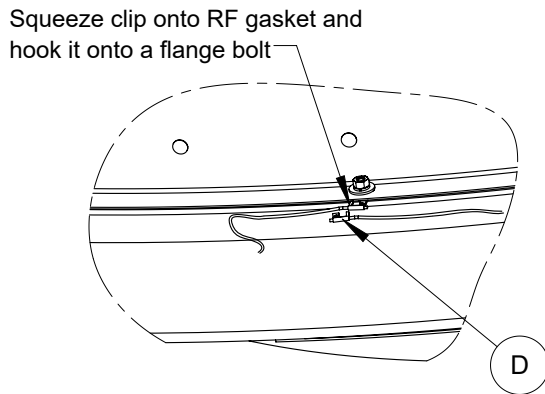
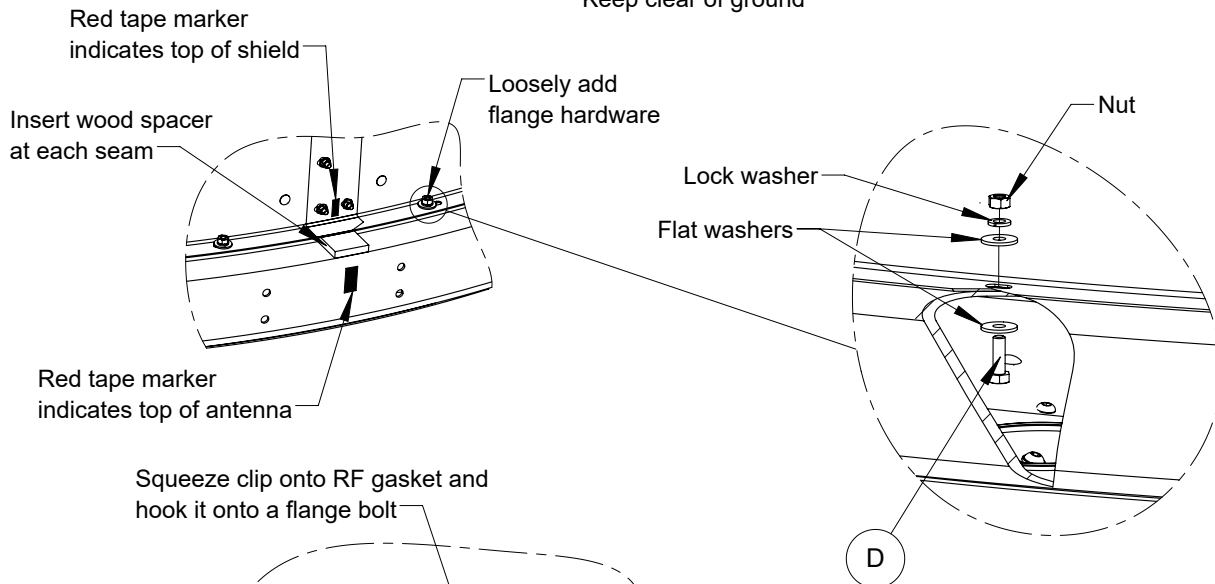


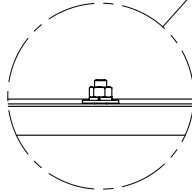
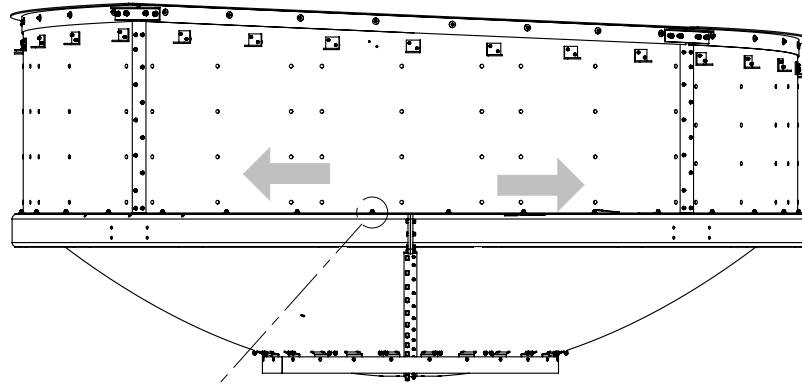
Take care to avoid damage  
Carefully peel back RF  
absorber to insert fasteners



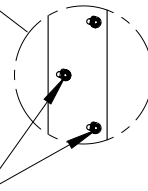
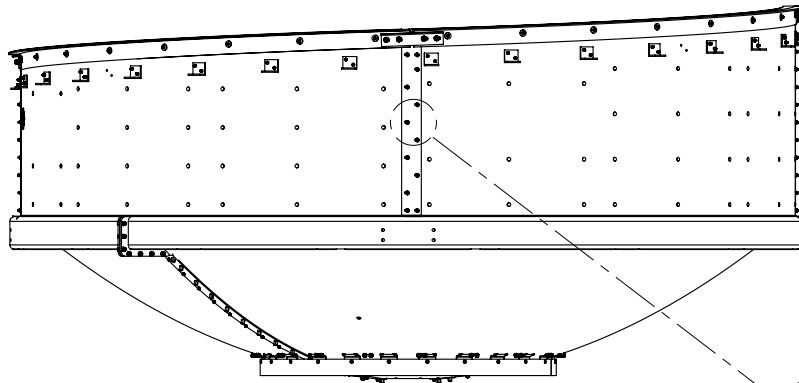


Support Reflector  
Keep clear of ground





M8 - Starting at the middle of each segment tighten to a torque of  $19\text{Nm} \pm 5\%$



M6 - Tighten to a torque of  $7.7\text{Nm} \pm 5\%$

M10 - Tighten to a torque of  $38\text{Nm} \pm 5\%$

