

Dual Polarisation Transition Installation, Polarisation Adjustment for Antennas



Description

The Transition in conjunction with the feed assembly is designed to be mounted into the reflector of a TMW antenna.

Important

Transition to be fitted to feed assembly prior to any waveguide or feeder cable being attached to the antenna.

Notice

The installation, maintenance or removal of antenna systems requires qualified, experienced personnel. Commscope installation instructions have been written for such personnel. Antenna systems should be inspected once a year by qualified personnel to verify proper installation, maintenance, and condition of equipment. Commscope disclaims any liability or responsibility for the results of improper or unsafe installation practices.

Table 1, Parts list

Item	Description	Qty
1	O-Ring	1*
2	Transition	1
3	M8 Skt Hd Cs'K Screw	2*
4	WSHR,SPLT,M6 (3GHz & 4GHz only)	4*
5	HEX SOCK SCREW, M6 X 35mm (3GHz & 4GHz only)	4*
6	Silicon grease(tube)	1*

* Part of kit (7809275(3GHz), 7809276(4GHz), 7812492(6GHz), 7811040(7GHz), Others(762201))

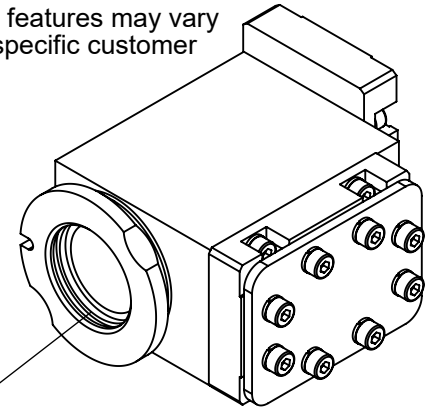
Table 2. Fastener Torque Specifications

Fastener Torque value in NM (lb.ft) for each fastener size								
Size	M3	M4	M5	M6	M8	M10	M12	M16
Stainless Steel	1.0 (0.7)	2.2 (1.67)	4.5 (3.3)	7.7 (5.7)	18.7 (13.8)	39.2 (28.9)	65.1 (48.0)	161 (118.7)
Galvanised Steel	0.59 (0.44)	1.2 (0.9)	2.7 (2.0)	4.5 (3.3)	11.1 (8.1)	22.0 (16.2)	38.0 (28.0)	95.0 (70.1)

1
a

FOR 3GHz, 4GHz, 6W & 7W

External profile features may vary depending on specific customer transition



IMPORTANT NOTE

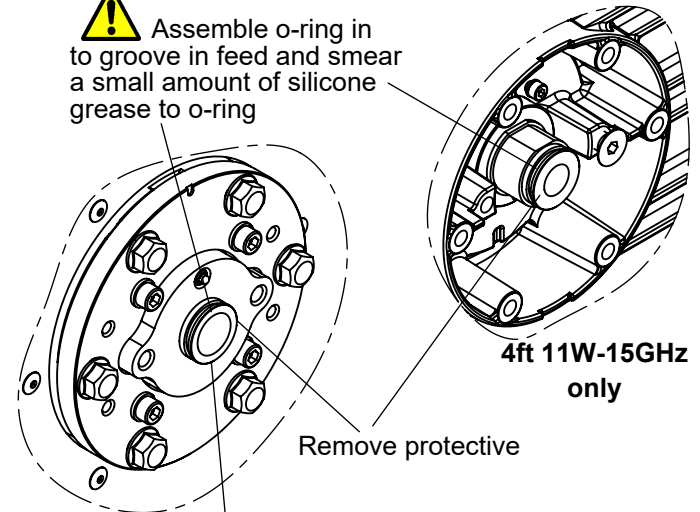
Assemble o-ring to transition and smear a small amount of silicon grease to o-ring prior to fitting transition to feed/antenna assembly

b

FOR 11GHz, 13GHz & 15GHz



Assemble o-ring in to groove in feed and smear a small amount of silicone grease to o-ring



Note: Method of securing feed assembly may vary, see separate feed Installation sheet

CommScope
1100 CommScope Place SE P.O. Box 339, Hickory, NC 28603-0339
(828) 324-2200 (800) 982-1708
www.commscope.com

Notice: CommScope disclaims any liability or responsibility for the results of improper or unsafe installation, inspection, maintenance, or removal practices.
Aviso: CommScope no acepta ninguna obligación ni responsabilidad como resultado de prácticas incorrectas o peligrosas de instalación, inspección, mantenimiento o retiro. Avis : CommScope décline toute responsabilité pour les conséquences de procédures d'installation, d'inspection, d'entretien ou de retrait incorrectes ou dangereuses. Hinweis: CommScope lehnt jede Haftung oder Verantwortung für Schäden ab, die aufgrund unsachgemäßer Installation, Überprüfung, Wartung oder Demontage auftreten.

Atenção: A CommScope abdica do direito de toda responsabilidade pelos resultados de práticas inadequadas e sem segurança de instalação, inspeção, manutenção ou remoção. Avvertenza: CommScope declina eventuali responsabilità derivanti dall'esecuzione di procedure di installazione, ispezione, manutenzione e smontaggio improprie o poco sicure.

注意：Andrew 公司申明對於不恰當或不安全的安裝、檢驗、維修或拆卸操作所導致的後果不負任何義務和責任

Customer Service 24 hours
North America: +1-800-255-1479 (toll free)
Any country: +1-779-435-6500
email: acicustomersupportcenter@commscope.com



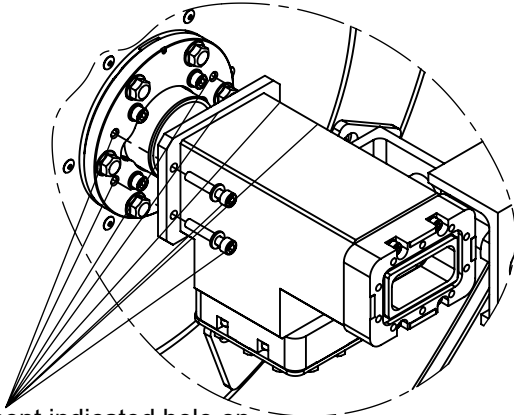


2

a

FOR 3GHz & 4GHz

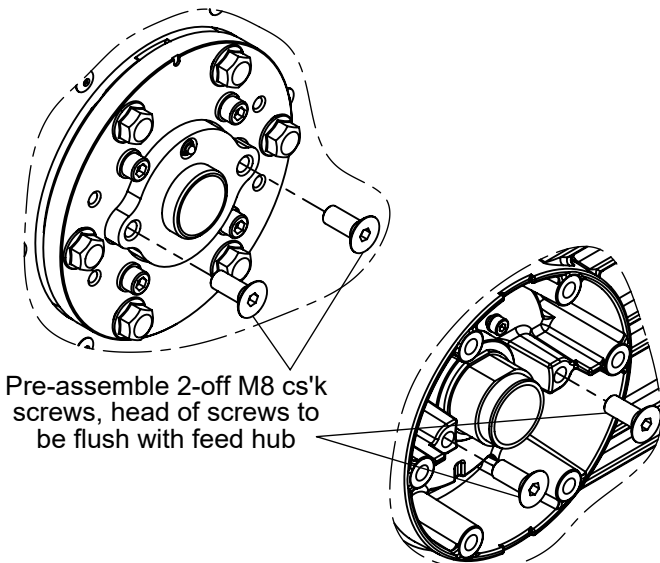
Fit Transition to antenna using 4-off M6 screws and M6 washer supplied. Then tightening to a torque of $7.7\text{Nm} \pm 5\%$.



Alignment indicated hole on adapter plate with indicated hole on transition

b

FOR 6W to 15GHz



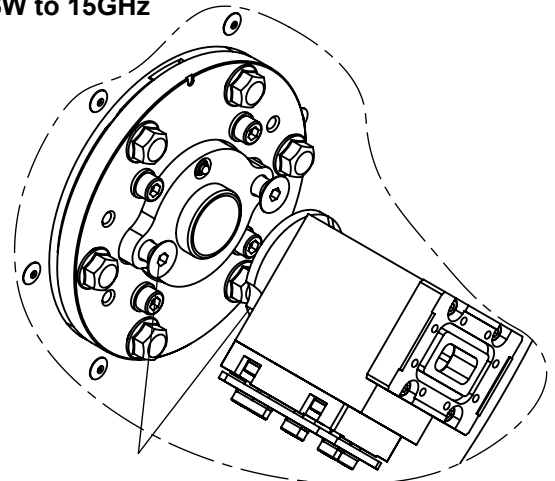
Pre-assemble 2-off M8 cs'k screws, head of screws to be flush with feed hub

4ft 6W -15GHz only

3

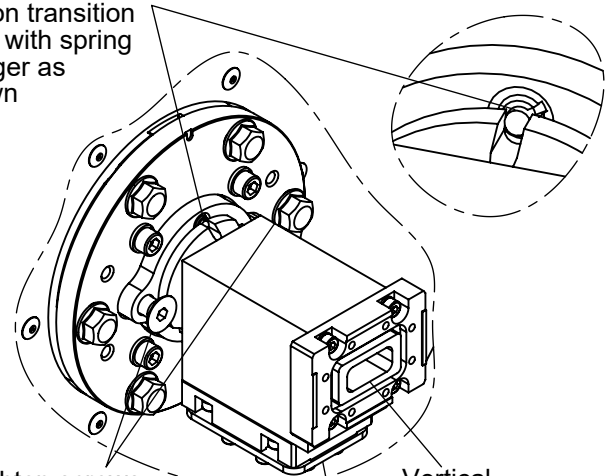
a

FOR 6W to 15GHz



To assemble transition, orientate cutouts to align with heads of M8 cs'k screws then twist transition counter clockwise to engage

Ensure the slot on transition align with spring plunger as shown



Tighten screws alternatively to ensure the feed hub is correctly seated inside the OMT then tighten to $10\text{Nm} \pm 5\%$

Vertical Polarisation
Horizontal Polarisation

CommScope
1100 CommScope Place SE P.O. Box 339, Hickory, NC 28603-0339
(828) 324-2200 (800) 982-1708
www.commscope.com

Notice: CommScope disclaims any liability or responsibility for the results of improper or unsafe installation, inspection, maintenance, or removal practices.
Aviso: CommScope no acepta ninguna obligación ni responsabilidad como resultado de prácticas incorrectas o peligrosas de instalación, inspección, mantenimiento o retiro. Avis : CommScope décline toute responsabilité pour les conséquences de procédures d'installation, d'inspection, d'entretien ou de retrait incorrectes ou dangereuses. Hinweis: CommScope lehnt jede Haftung oder Verantwortung für Schäden ab, die aufgrund unsachgemäßer Installation, Überprüfung, Wartung oder Demontage auftreten.
Atenção: A CommScope abdica do direito de toda responsabilidade pelos resultados de práticas inadequadas e sem segurança de instalação, inspeção, manutenção ou remoção. Avvertenza: CommScope declina eventuali responsabilità derivanti dall'esecuzione di procedure di installazione, ispezione, manutenzione e smontaggio improprie o poco sicure.

注意：Andrew 公司申明對於不恰當或不安全的安裝、檢驗、維修或拆卸操作所導致的後果不負任何義務和責任

© June, 2018 CommScope

Customer Service 24 hours
North America: +1-800-255-1479 (toll free)
Any country: +1-779-435-6500
email: acicustomersupportcenter@commscope.com

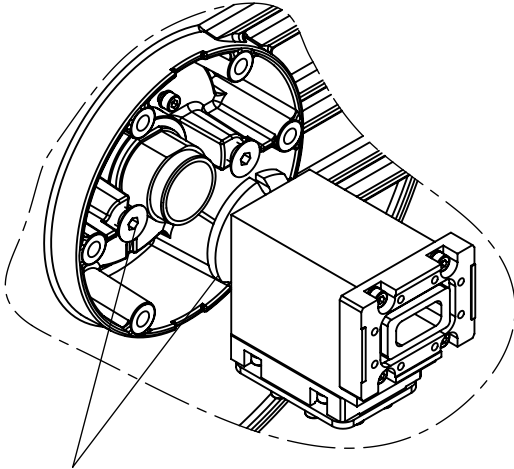




3

b

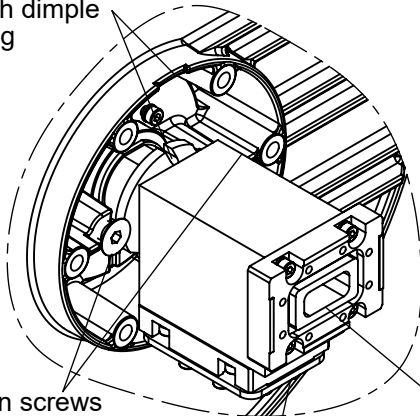
FOR 4FT 6GHz to 15GHz ONLY



To assemble transition, orientate cutouts to align with heads of M8 cs'k screws then twist transition counter clockwise to engage



Ensure the slot on transition align with dimple in casting



Tighten screws alternatively to ensure the feed hub is correctly seated inside the OMT then tighten to 10Nm +/-5%

Vertical Polarisation

Horizontal Polarisation

CommScope
1100 CommScope Place SE P.O. Box 339, Hickory, NC 28603-0339
(828) 324-2200 (800) 982-1708
www.commscope.com

Notice: CommScope disclaims any liability or responsibility for the results of improper or unsafe installation, inspection, maintenance, or removal practices.
Aviso: CommScope no acepta ninguna obligación ni responsabilidad como resultado de prácticas incorrectas o peligrosas de instalación, inspección, mantenimiento o retiro. Avis : CommScope décline toute responsabilité pour les conséquences de procédures d'installation, d'inspection, d'entretien ou de retrait incorrectes ou dangereuses. Hinweis: CommScope lehnt jede Haftung oder Verantwortung für Schäden ab, die aufgrund unsachgemäßer Installation, Überprüfung, Wartung oder Demontage auftreten.
Atenção: A CommScope abdica do direito de toda responsabilidade pelos resultados de práticas inadequadas e sem segurança de instalação, inspeção, manutenção ou remoção. Avvertenza: CommScope declina eventuali responsabilità derivanti dell'esecuzione di procedure di installazione, ispezione, manutenzione e smontaggio improprie o poco sicure.

注意：Andrew 公司申明對於不恰當或不安全的安裝、檢驗、維修或拆卸操作所導致的后果不負任何義務和責任

© June, 2018 CommScope

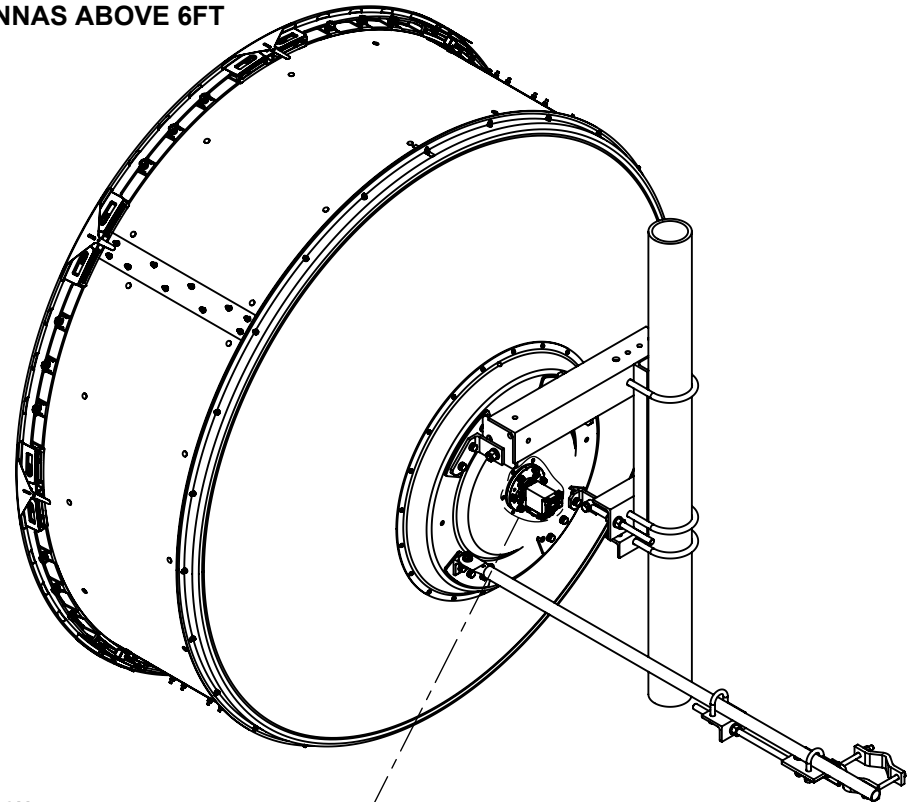
Customer Service 24 hours
North America: +1-800-255-1479 (toll free)
Any country: +1-779-435-6500
email: acicustomersupportcenter@commscope.com





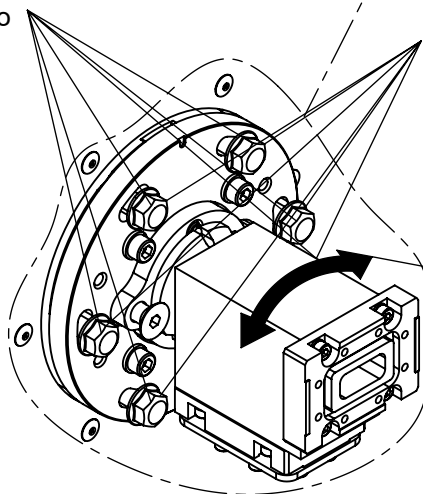
4

FOR 4FT 4GHz AND ALL ANTENNAS ABOVE 6FT



Loosen 6-off M8 Hex bolts 2 or 3 turns to allow rotate feed assembly

After rotated to required angle torque 6-off M8 bolts (6) to a torque of 18.7Nm $\pm 5\%$



Rotate feed assembly $\pm 5^\circ$ for aligning finalization if required

CommScope

1100 CommScope Place SE P.O. Box 339, Hickory, NC 28603-0339
(828) 324-2200 (800) 982-1708
www.commscope.com

Notice: CommScope disclaims any liability or responsibility for the results of improper or unsafe installation, inspection, maintenance, or removal practices.

Aviso: CommScope no acepta ninguna obligación ni responsabilidad como resultado de prácticas incorrectas o peligrosas de instalación, inspección, mantenimiento o retiro. Avis : CommScope décline toute responsabilité pour les conséquences de procédures d'installation, d'inspection, d'entretien ou de retrait incorrectes ou dangereuses. Hinweis: CommScope lehnt jede Haftung oder Verantwortung für Schäden ab, die aufgrund unsachgemäßer Installation, Überprüfung, Wartung oder Demontage auftreten.

Atenção: A CommScope abdica do direito de toda responsabilidade pelos resultados de práticas inadequadas e sem segurança de instalação, inspeção, manutenção ou remoção. Avvertenza: CommScope declina eventuali responsabilità derivanti dall'esecuzione di procedure di installazione, ispezione, manutenzione e smontaggio improprie o poco sicure.

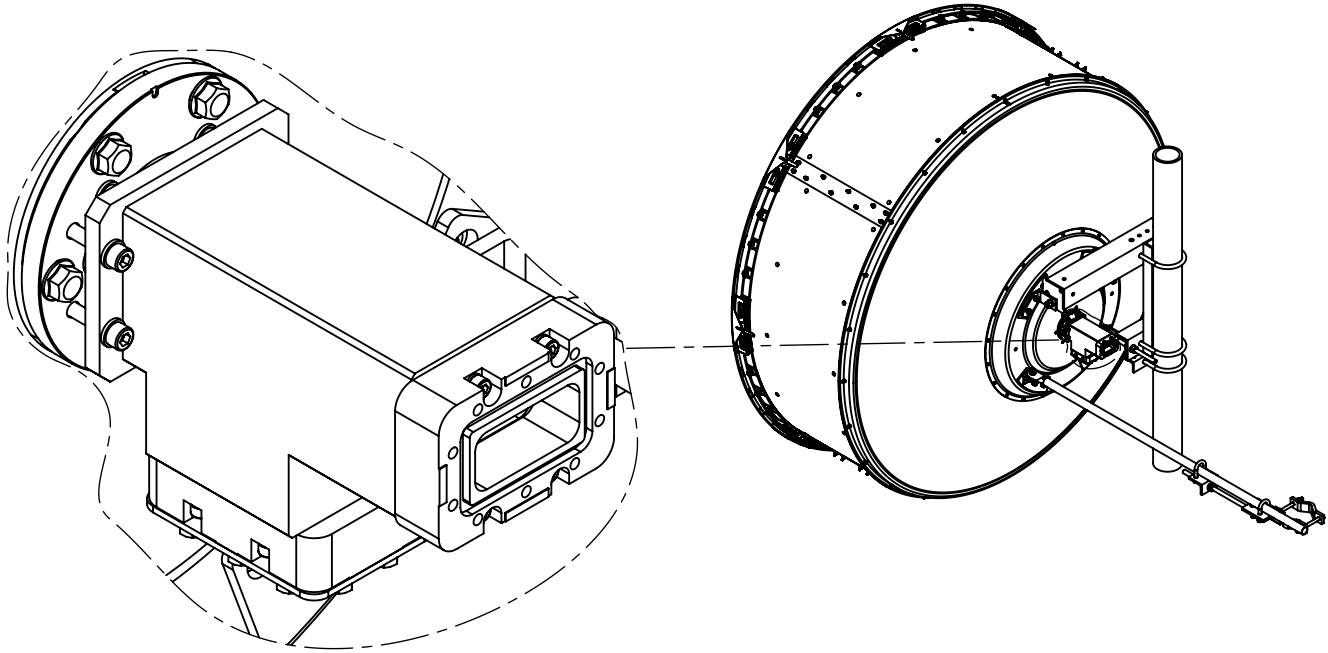
注意：Andrew 公司申明對於不恰當或不安全的安裝、檢驗、維修或拆卸操作所導致的后果不負任何義務和責任

© June, 2018 CommScope

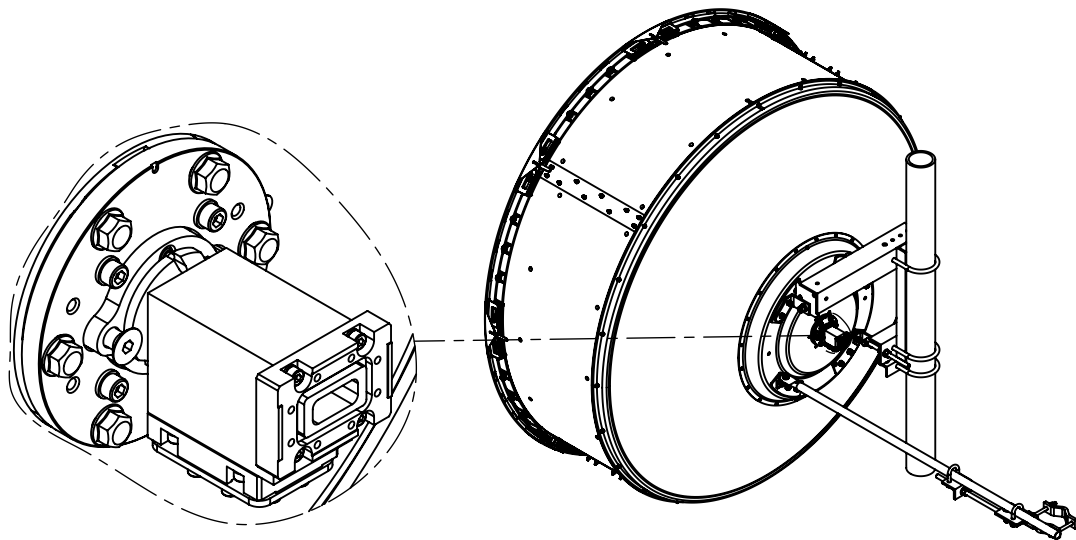
Customer Service 24 hours

North America: +1-800-255-1479 (toll free)
Any country: +1-779-435-6500
email: acicustomersupportcenter@commscope.com





6ft 3GHz ANTENNA ASSEMBLY SHOWN FOR REFERENCE ONLY.



6ft 7W ANTENNA ASSEMBLY SHOWN FOR REFERENCE ONLY.

CommScope

1100 CommScope Place SE P.O. Box 339, Hickory, NC 28603-0339
(828) 324-2200 (800) 982-1708
www.commscope.com

Notice: CommScope disclaims any liability or responsibility for the results of improper or unsafe installation, inspection, maintenance, or removal practices.

Aviso: CommScope no acepta ninguna obligación ni responsabilidad como resultado de prácticas incorrectas o peligrosas de instalación, inspección, mantenimiento o retiro. Avis : CommScope décline toute responsabilité pour les conséquences de procédures d'installation, d'inspection, d'entretien ou de retrait incorrectes ou dangereuses. Hinweis: CommScope lehnt jede Haftung oder Verantwortung für Schäden ab, die aufgrund unsachgemäßer Installation, Überprüfung, Wartung oder Demontage auftreten.

Atenção: A CommScope abdica do direito de toda responsabilidade pelos resultados de práticas inadequadas e sem segurança de instalação, inspeção, manutenção ou remoção. Avvertenza: CommScope declina eventuali responsabilità derivanti dall'esecuzione di procedure di installazione, ispezione, manutenzione e smontaggio improprie o poco sicure.

注意：Andrew 公司申明對於不恰當或不安全的安裝、檢驗、維修或拆卸操作所導致的後果不負任何義務和責任

© June, 2018 CommScope

Customer Service 24 hours

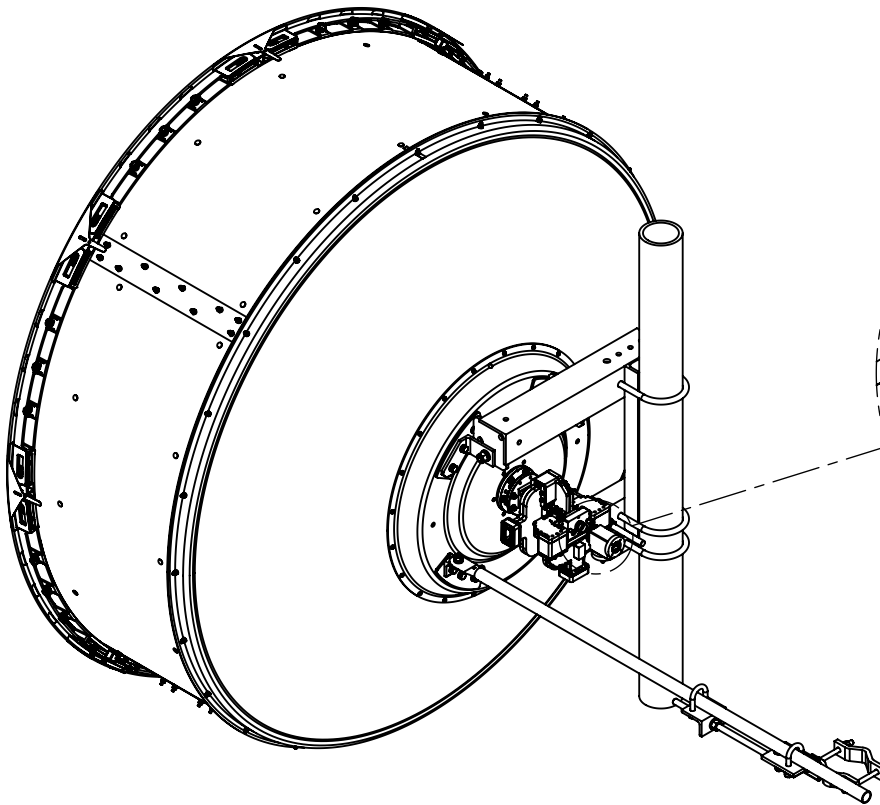
North America: +1-800-255-1479 (toll free)
Any country: +1-779-435-6500
email: acicustomersupportcenter@commscope.com




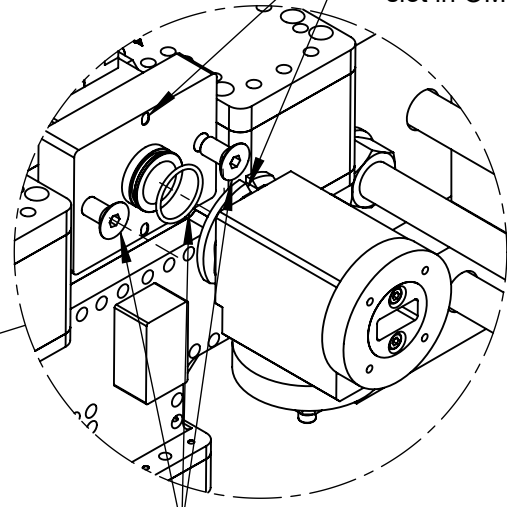


6ft 6W/11W GHz ANTENNA ASSEMBLY SHOWN FOR REFERENCE ONLY.

A. FOR LEFT MOUNTED ORIENTATION:

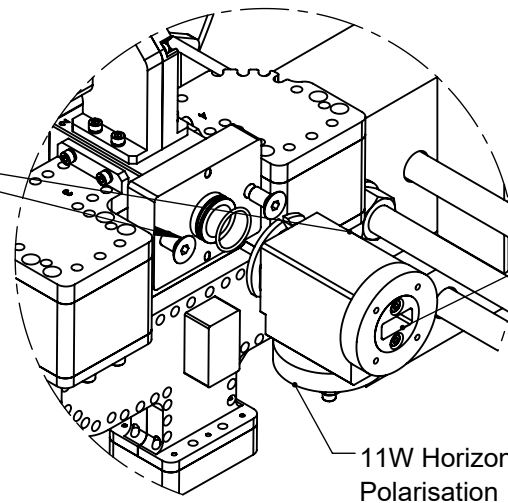


 Ensure the cutout on transition aligns with slot in OMT



1. Smear o-ring (Item 1) with silicon grease (Item 6).
2. Fit O-ring (item 1) to groove in OMT
3. To assemble transition (Item 2), orient cutouts to align with heads of M8 cs'k screws (Item 3) then twist transition counter clockwise to engage.

Tighten screws alternatively to ensure the feed hub is correctly seated inside the OMT then tighten to 10Nm +/-5%.



11W Vertical Polarisation

11W Horizontal Polarisation

CommScope
1100 CommScope Place SE P.O. Box 339, Hickory, NC 28603-0339
(828) 324-2200 (800) 982-1708
www.commscope.com

Customer Service 24 hours
North America: +1-800-255-1479 (toll free)
Any country: +1-779-435-6500
email: acicustomersupportcenter@commscope.com

Notice: CommScope disclaims any liability or responsibility for the results of improper or unsafe installation, inspection, maintenance, or removal practices.
Aviso: CommScope no acepta ninguna obligación ni responsabilidad como resultado de prácticas incorrectas o peligrosas de instalación, inspección, mantenimiento o retiro. Avis: CommScope décline toute responsabilité pour les conséquences de procédures d'installation, d'inspection, d'entretien ou de retrait incorrectes ou dangereuses. Hinweis: CommScope lehnt jede Haftung oder Verantwortung für Schäden ab, die aufgrund unsachgemäßer Installation, Überprüfung, Wartung oder Demontage auftreten.
Atenção: A CommScope abdica do direito de toda responsabilidade pelos resultados de práticas inadequadas e sem segurança de instalação, inspeção, manutenção ou remoção. Avvertenza: CommScope declina eventuali responsabilità derivanti dall'esecuzione di procedure di installazione, ispezione, manutenzione e smontaggio improprie o poco sicure.

注意: Andrew 公司申明對於不恰當或不安全的安裝、檢驗、維修或拆卸操作所導致的後果不負任何義務和責任

© June, 2018 CommScope



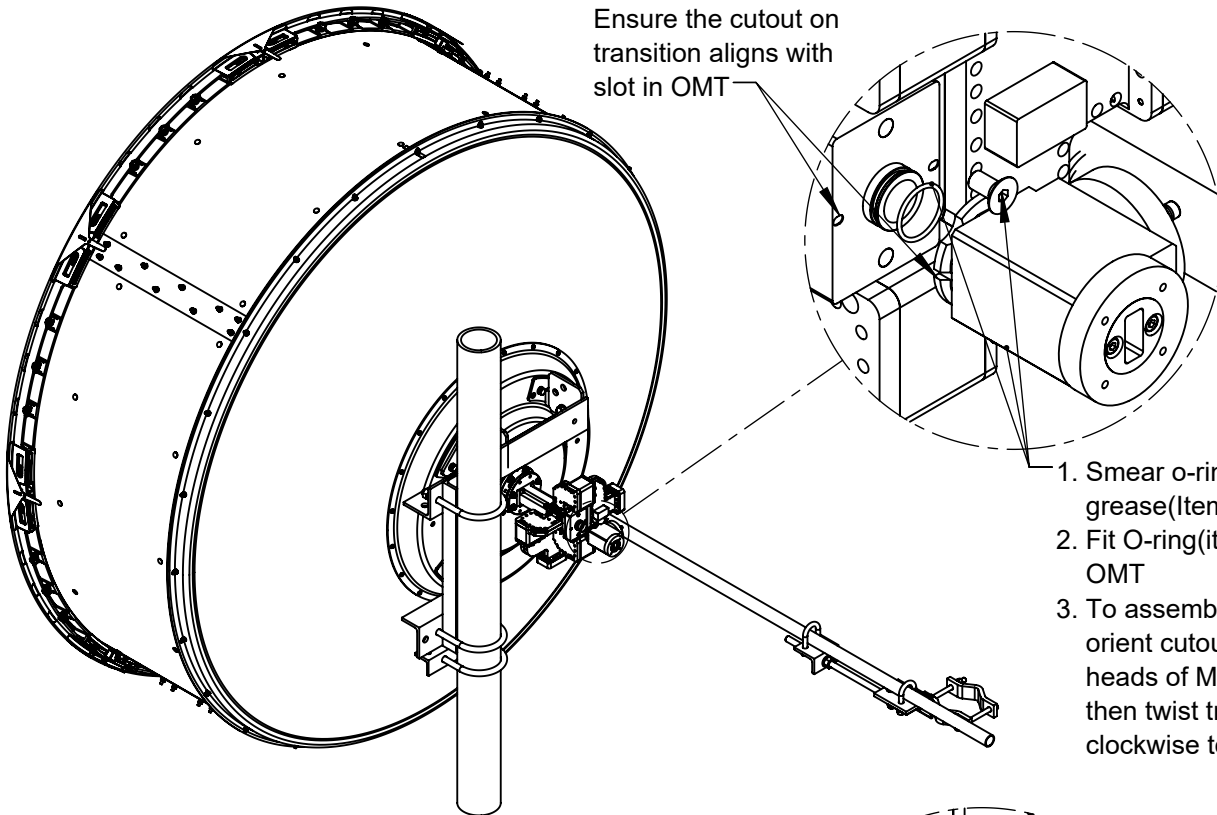


6ft 6W/11W GHz ANTENNA ASSEMBLY SHOWN FOR REFERENCE ONLY.

B. FOR RIGHT MOUNTED ORIENTATION:

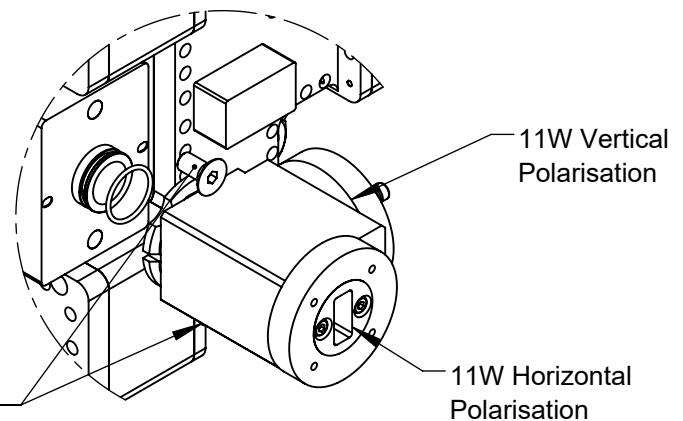


Ensure the cutout on transition aligns with slot in OMT



1. Smear o-ring (Item 1) with silicon grease (Item 6).
2. Fit O-ring (item 1) to groove in OMT
3. To assemble transition (Item 2), orient cutouts to align with heads of M8 cs'k screws (Item 3) then twist transition counter clockwise to engage.

Tighten screws alternatively to ensure the feed hub is correctly seated inside the OMT then tighten to 10Nm +/-5%.



CommScope

1100 CommScope Place SE P.O. Box 339, Hickory, NC 28603-0339
(828) 324-2200 (800) 982-1708
www.commscope.com

Notice: CommScope disclaims any liability or responsibility for the results of improper or unsafe installation, inspection, maintenance, or removal practices.

Aviso: CommScope no acepta ninguna obligación ni responsabilidad como resultado de prácticas incorrectas o peligrosas de instalación, inspección, mantenimiento o retiro. Avis : CommScope décline toute responsabilité pour les conséquences de procédures d'installation, d'inspection, d'entretien ou de retrait incorrectes ou dangereuses. Hinweis: CommScope lehnt jede Haftung oder Verantwortung für Schäden ab, die aufgrund unsachgemäßer Installation, Überprüfung, Wartung oder Demontage auftreten.

Atenção: A CommScope abdica do direito de toda responsabilidade pelos resultados de práticas inadequadas e sem segurança de instalação, inspeção, manutenção ou remoção. Avvertenza: CommScope declina eventuali responsabilità derivanti dall'esecuzione di procedure di installazione, ispezione, manutenzione e smontaggio improprie o poco sicure.

注意：Andrew 公司申明對於不恰當或不安全的安裝、檢驗、維修或拆卸操作所導致的後果不負任何義務和責任

© June, 2018 CommScope

Customer Service 24 hours

North America: +1-800-255-1479 (toll free)
Any country: +1-779-435-6500
email: acicustomersupportcenter@commscope.com

