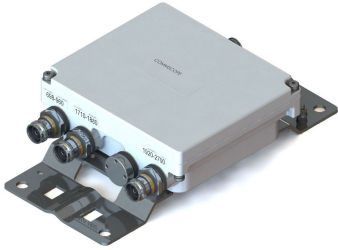


E14F10P59



Ultra Compact Single Triplexer 698-960/1800/2100-2700, 4.3-10 connectors

- Ideal for small cell applications
- Compact form factor with reduced size and weight
- Suitable for space limited applications like Metro Cell, Lamp Pole, Concealment Solution and Macro Site
- New 4.3-10 connectors for improved PIM performance and size reduction
- Single configuration
- dc/AISG pass-through on low frequency ports

OBSOLETE

This product was discontinued on: December 31, 2023

Replaced By:

E14F10P78

Ultra Compact Single Triplexer 698-960/1350-1880/1920-2690, 4.3-10 connectors

Product Classification

Product Type Triplexer

General Specifications

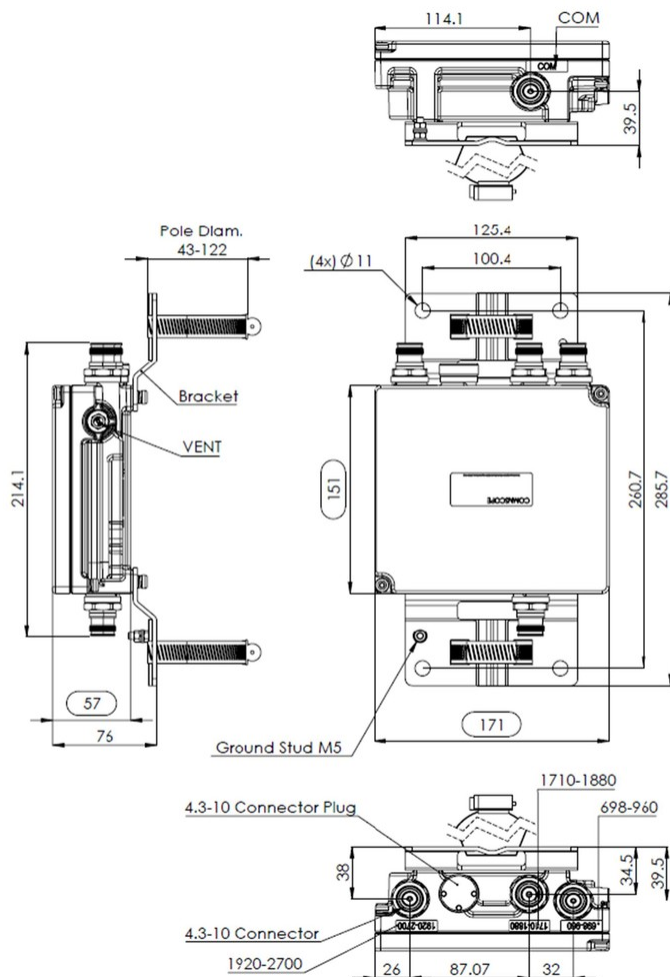
Product Family	CBC81821
Color	Gray
Common Port Label	Common
Modularity	1-Single
Mounting	Pole Wall
Mounting Pipe Hardware	Band clamps (2)
RF Connector Interface	4.3-10 Female
RF Connector Interface Body Style	Medium neck

Dimensions

Height	57 mm 2.244 in
Width	151 mm 5.945 in
Depth	171 mm 6.732 in
Mounting Pipe Diameter Range	40–160 mm

E14F10P59

Outline Drawing



Electrical Specifications

Impedance	50 ohm
License Band, Band Pass	APT 700 CEL 850 CEL 900 DCS 1800 EDD 800 IMT 2100 LMR 800 LMR 900 TDD 2300 TDD 2600 USA 700

Electrical Specifications, dc Power/Alarm

dc/AISG Pass-through Method	Factory set
dc/AISG Pass-through Path	Branch 1
dc/AISG Pass-through, combiner	Branch 1
dc/AISG Pass-through, demultiplexer	Branch 1
Lightning Surge Current	5 kA

E14F10P59

Lightning Surge Current Waveform

8/20 waveform

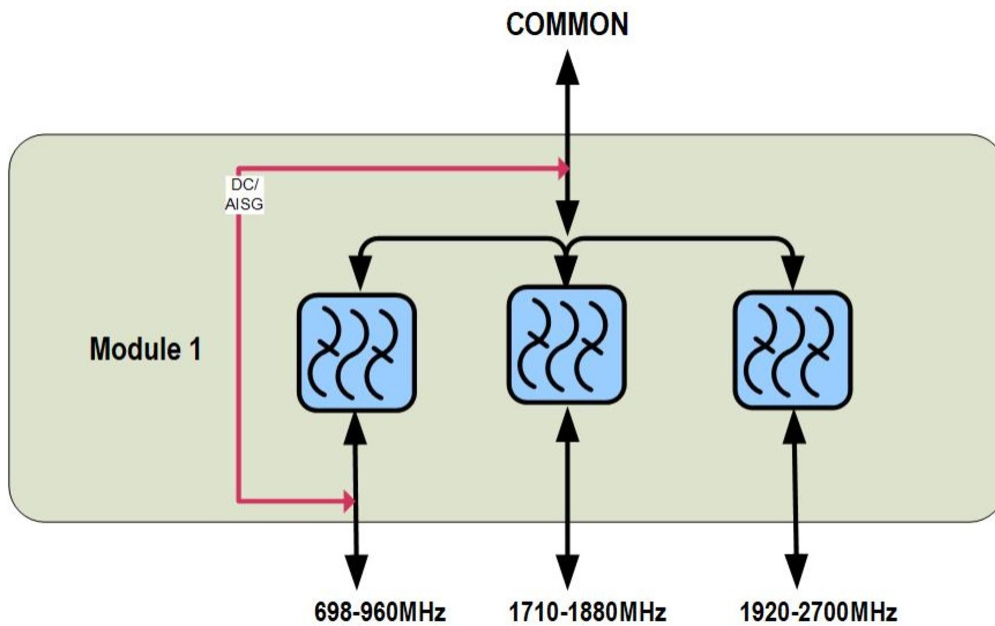
Electrical Specifications

Sub-module	1 2	1 2	1 2
Branch	1	2	3
Port Designation	698-960	1710-1880	1920-2700
License Band	CEL 850, Band Pass CEL 900, Band Pass EDD 800, Band Pass LMR 800, Band Pass LMR 900, Band Pass APT 700, Band Pass USA 700, Band Pass	DCS 1800, Band Pass	IMT 2100, Band Pass TDD 2300, Band Pass IMT 2600, Band Pass TDD 2600, Band Pass

Electrical Specifications, Band Pass

Frequency Range, MHz	698–960	1710–1880	1920–2170 2300–2700
Insertion Loss, typical, dB	0.1	0.25	0.3
Return Loss, typical, dB	22	22	22
Isolation, typical, dB	55	38	38
Input Power, PEP, maximum, W	1200	1200	1200
3rd Order PIM, maximum, dBc	-157	-157	-157
3rd Order PIM Test Method	Two +43 dBm carriers	Two +43 dBm carriers	Two +43 dBm carriers

Block Diagram



Environmental Specifications

Operating Temperature	-40 °C to +60 °C (-40 °F to +140 °F)
Relative Humidity	Up to 100%
Corrosion Test Method	IEC 60068-2-11, 30 days
Ingress Protection Test Method	IEC 60529:2001, IP67

Packaging and Weights

Included	Mounting hardware
Volume	1.5 L
Weight, net	1.9 kg 4.189 lb
Weight, without mounting hardware	1.4 kg 3.086 lb

Regulatory Compliance/Certifications

Agency	Classification
ISO 9001:2015	Designed, manufactured and/or distributed under this quality management system

