

E14F10P06



Twin Triplexer 700-800//900//1800-2600 MHz, DC Bypass on high ports, with 4.3-10 connectors

- Industry leading PIM performance
- Designed for network modernization application, introduction of LTE700 and LTE800 on existing site
- dc/AISG pass-through on high frequency ports
- Twin configuration
- New 4.3-10 connectors for improved PIM performance and size reduction

OBSOLETE

This product was discontinued on: December 31, 2023

Replaced By:

E14F10P08

Twin Triplexer 700-800//900//1800-2600 MHz, DC Bypass on all ports, with 4.3-10 connectors

Product Classification

Product Type Triplexer

General Specifications

Product Family CBC7926

Color Gray

Common Port Label COM

Modularity 2-Twin

Mounting Pole | Wall

Mounting Pipe Hardware Band clamps (2)

RF Connector Interface 4.3-10 Female

RF Connector Interface Body Style Medium neck

Dimensions

Height 257 mm | 10.118 in

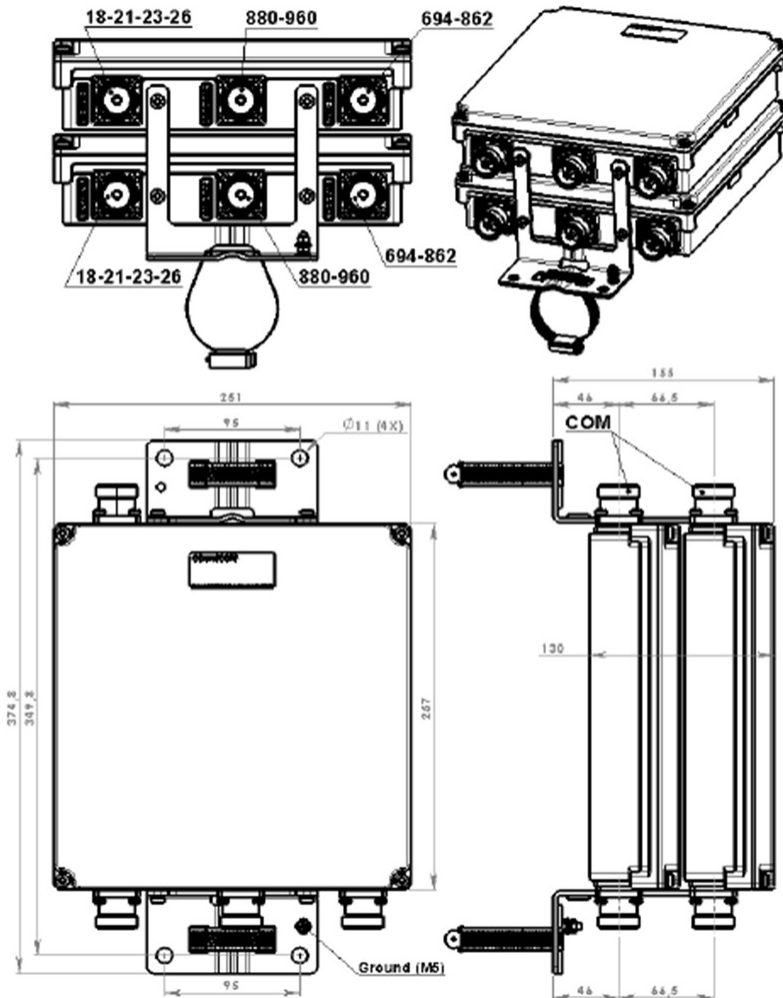
Width 251 mm | 9.882 in

Depth 130 mm | 5.118 in

Mounting Pipe Diameter Range 42.6–122 mm

E14F10P06

Outline Drawing



Electrical Specifications

Impedance	50 ohm
License Band, Band Pass	APT 700 AWS 1700 CEL 900 DCS 1800 EDD 800 IMT 2100 IMT 2600 LMR 750 PCS 1900 USA 700 USA 750

Electrical Specifications, dc Power/Alarm

dc/AISG Pass-through, combiner	Branch 3
dc/AISG Pass-through, demultiplexer	Branch 3
Lightning Surge Current	5 kA
Lightning Surge Current Waveform	8/20 waveform

E14F10P06

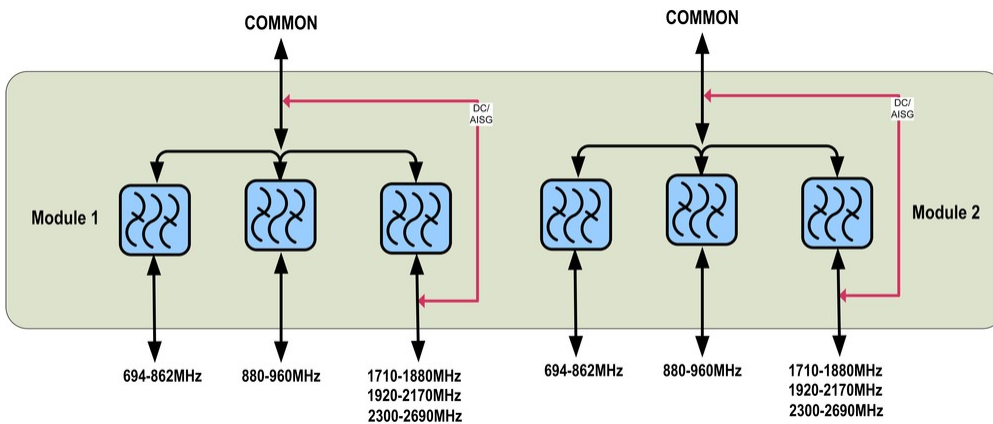
Electrical Specifications

Sub-module	1 2	1 2	1 2
Branch	1	2	3
Port Designation	DD2-800	900	18-21-23-26
License Band	APT 700, Band Pass EDD 800, Band Pass LMR 750, Band Pass USA 700, Band Pass USA 750, Band Pass	CEL 900, Band Pass	AWS 1700, Band Pass DCS 1800, Band Pass IMT 2100, Band Pass IMT 2600, Band Pass PCS 1900, Band Pass

Electrical Specifications, Band Pass

Frequency Range, MHz	694–862	880–960	1710–2690
Insertion Loss, typical, dB	0.35	0.3	0.35
Return Loss, minimum, dB	18	18	18
Return Loss, typical, dB	22	22	22
Isolation, minimum, dB	50	50	50
Input Power, RMS, maximum, W	300	300	300
Input Power, PEP, maximum, W	3000	3000	3000
3rd Order PIM, typical, dBc	-160	-160	-160
3rd Order PIM Test Method	Two +43 dBm carriers	Two +43 dBm carriers	Two +43 dBm carriers

Block Diagram



Environmental Specifications

Operating Temperature	-40 °C to +65 °C (-40 °F to +149 °F)
Relative Humidity	Up to 100%

E14F10P06

Corrosion Test Method IEC 60068-2-11, 30 days

Ingress Protection Test Method IEC 60529:2001, IP67

Packaging and Weights

Included Mounting hardware

Volume 8.4 L

Weight, net 8.1 kg | 17.857 lb

Regulatory Compliance/Certifications

Agency

ISO 9001:2015



Classification

Designed, manufactured and/or distributed under this quality management system