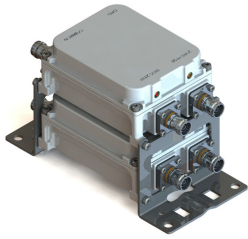


# E14F05P25



Twin Diplexer, 1695-2180/2300-2690 MHz, DC/AISG SMART bypass, with 4.3-10 connectors

- Industry leading PIM performance
- Twin configuration
- Designed for network Modernization, introduction of LTE2600 on existing site
- DC/AISG SMART bypass functionality
- New 4.3-10 connectors for improved PIM performance and size reduction

## OBSOLETE

This product was discontinued on: December 31, 2023

### Replaced By:

E14F06P61

Twin Diplexer, 1350–2200 MHz/2300–2700 MHz, DCauto, with 4.3-10 connectors

## Product Classification

**Product Type** Diplexer

## General Specifications

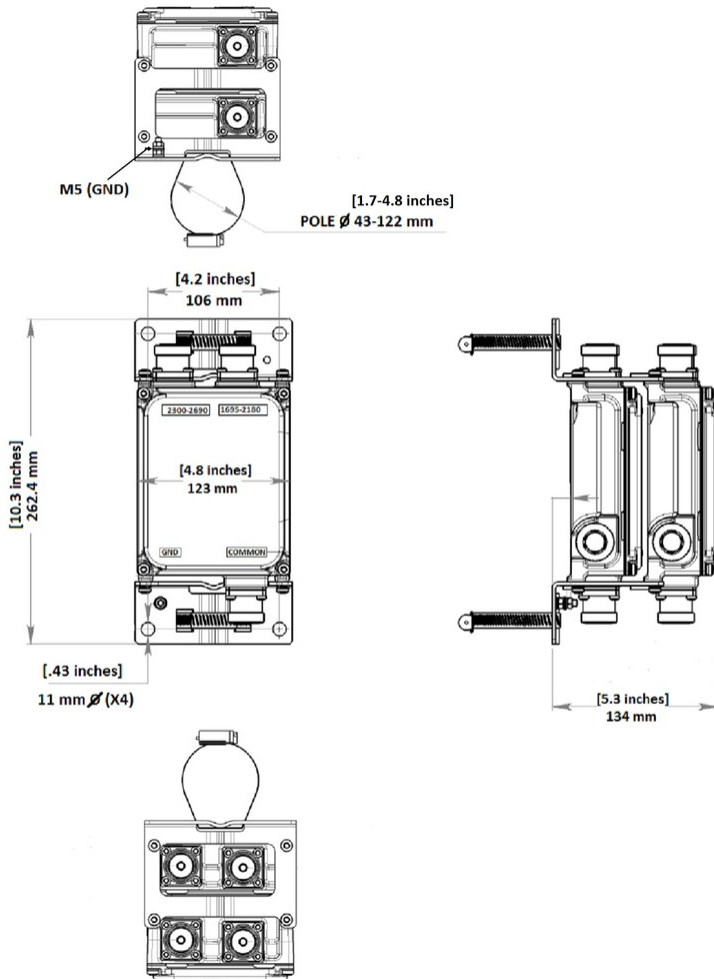
<b>Product Family</b>	CBC1726
<b>Color</b>	Gray
<b>Common Port Label</b>	COMM
<b>Modularity</b>	2-Twin
<b>Mounting</b>	Pole   Wall
<b>Mounting Pipe Hardware</b>	Band clamps (2)
<b>RF Connector Interface</b>	4.3-10 Female
<b>RF Connector Interface Body Style</b>	Medium neck

## Dimensions

<b>Height</b>	152.4 mm   6 in
<b>Width</b>	123 mm   4.843 in
<b>Depth</b>	121 mm   4.764 in
<b>Ground Screw Diameter</b>	6 mm   0.236 in
<b>Mounting Pipe Diameter Range</b>	42.6–122 mm

# E14F05P25

## Outline Drawing



## Electrical Specifications

<b>Impedance</b>	50 ohm
<b>License Band, Band Pass</b>	AWS 1700   DCS 1800   IMT 2100   IMT 2600   PCS 1900   WCS 2300

## Electrical Specifications, dc Power/Alarm

<b>dc/AISG Pass-through, combiner</b>	dc Sensing
<b>Lightning Surge Current</b>	3 kA
<b>Lightning Surge Current Waveform</b>	10/350 waveform

## Electrical Specifications

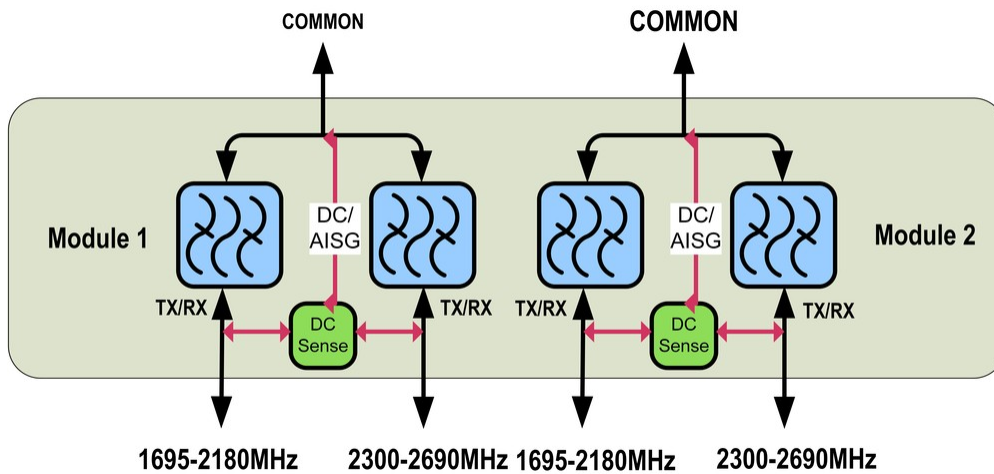
# E14F05P25

<b>Sub-module</b>	<b>1   2</b>	<b>1   2</b>
<b>Branch</b>	1	2
<b>Port Designation</b>	1695-2180	2300-2690
<b>License Band</b>	AWS 1700, Band Pass DCS 1800, Band Pass IMT 2100, Band Pass PCS 1900, Band Pass	IMT 2600, Band Pass WCS 2300, Band Pass

## Electrical Specifications, Band Pass

<b>Frequency Range, MHz</b>	<b>1695–2180</b>	<b>2300–2690</b>
<b>Insertion Loss, typical, dB</b>	0.3	0.35
<b>Total Group Delay, maximum, ns</b>	30	30
<b>Return Loss, typical, dB</b>	20	20
<b>Isolation, minimum, dB</b>	50	50
<b>Input Power, PEP, maximum, W</b>	3500	3500
<b>3rd Order PIM, typical, dBc</b>	-160	-160
<b>3rd Order PIM Test Method</b>	Two +43 dBm carriers	Two +43 dBm carriers

## Block Diagram



## Environmental Specifications

<b>Operating Temperature</b>	-40 °C to +60 °C (-40 °F to +140 °F)
<b>Relative Humidity</b>	Up to 100%
<b>Corrosion Test Method</b>	IEC 60068-2-11, 30 days
<b>Ingress Protection Test Method</b>	IEC 60529:2001, IP67

# E14F05P25

---

## Packaging and Weights

<b>Included</b>	Mounting hardware
<b>Volume</b>	2.3 L
<b>Weight, net</b>	5 kg   11.023 lb