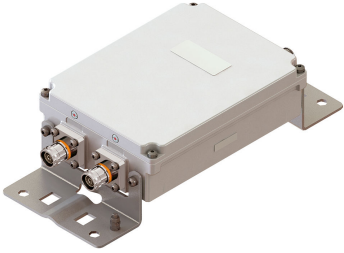


# E14F05P06

---



Single Diplexer, 700-800/900 MHz, dc pass on all ports, with 4.3-10 connectors

- Industry leading PIM performance
- Designed for network modernization application, introduction of LTE700 and LTE800 on existing site
- New 4.3-10 connectors for improved PIM performance and size reduction
- dc/AISG pass-through on all frequency ports
- Single configuration

## Product Classification

**Product Type** Diplexer

## General Specifications

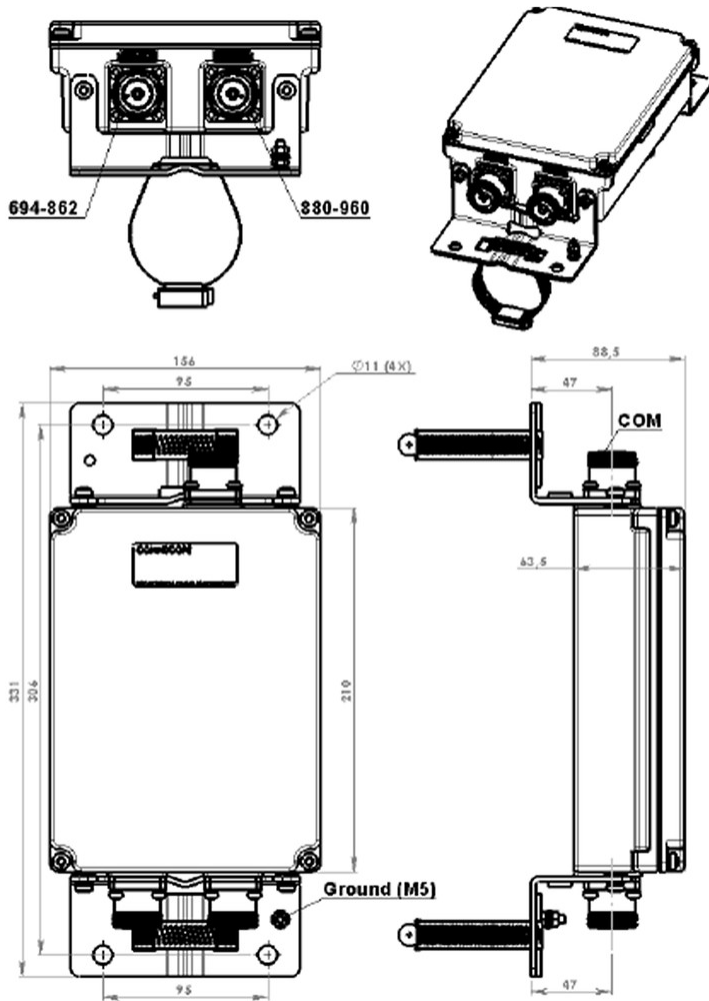
**Product Family** CBC79X  
**Color** Gray  
**Common Port Label** PORT 3  
**Modularity** 1-Single  
**Mounting** Pole | Wall  
**Mounting Pipe Hardware** Band clamps (2)  
**RF Connector Interface** 4.3-10 Female  
**RF Connector Interface Body Style** Long neck

## Dimensions

**Height** 210 mm | 8.268 in  
**Width** 156 mm | 6.142 in  
**Depth** 63.5 mm | 2.5 in  
**Mounting Pipe Diameter Range** 40–140 mm

# E14F05P06

## Outline Drawing



## Electrical Specifications

<b>Impedance</b>	50 ohm
<b>License Band, Band Pass</b>	APT 700   CEL 900   EDD 800   LMR 750

## Electrical Specifications, dc Power/Alarm

<b>dc/AISG Pass-through, combiner</b>	Branch 1   Branch 2
<b>dc/AISG Pass-through, demultiplexer</b>	Branch 1   Branch 2
<b>Lightning Surge Current</b>	5 kA
<b>Lightning Surge Current Waveform</b>	8/20 waveform

# E14F05P06

---

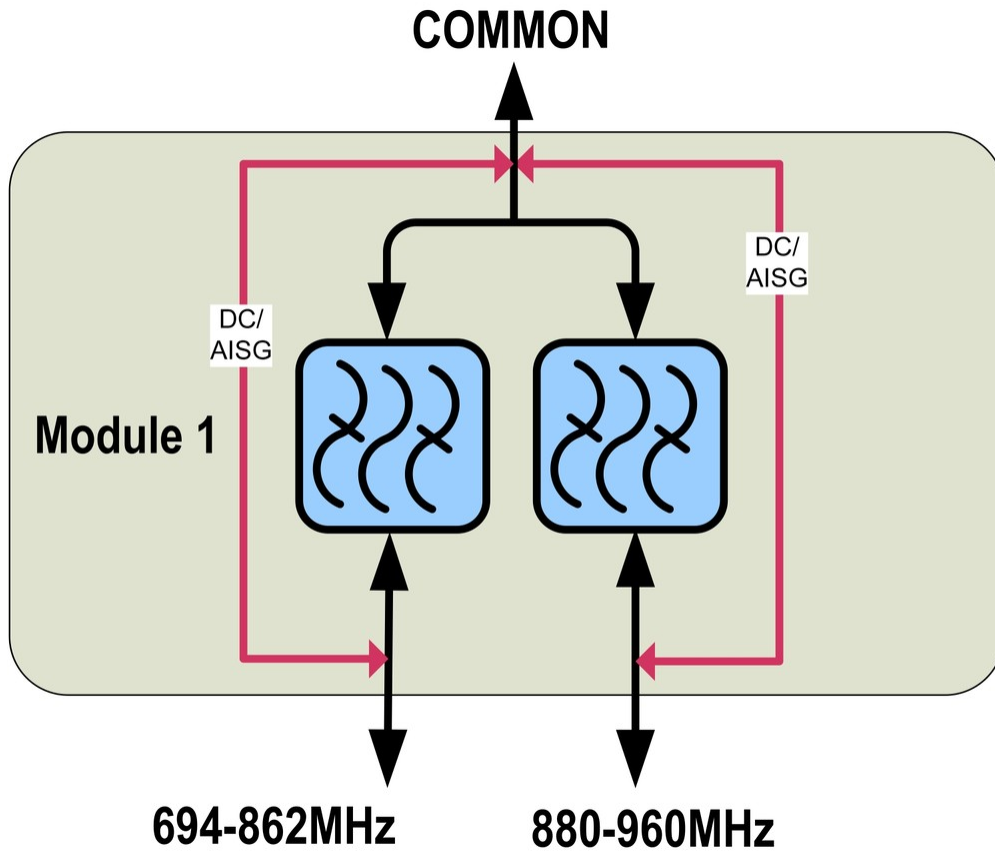
## Electrical Specifications

<b>Sub-module</b>	<b>1   2</b>	<b>1   2</b>
<b>Branch</b>	1	2
<b>Port Designation</b>	694-862	880-960
<b>License Band</b>	EDD 800, Band Pass APT 700, Band Pass	CEL 900, Band Pass

## Electrical Specifications, Band Pass

<b>Frequency Range, MHz</b>	<b>694–862</b>	<b>880–960</b>
<b>Insertion Loss, typical, dB</b>	0.2	0.2
<b>Return Loss, typical, dB</b>	22	22
<b>Isolation, minimum, dB</b>	50	50
<b>Input Power, PEP, maximum, W</b>	3000	3000
<b>3rd Order PIM, typical, dBc</b>	-160	-160
<b>3rd Order PIM Test Method</b>	Two +43 dBm carriers	Two +43 dBm carriers

## Block Diagram



## Environmental Specifications

<b>Operating Temperature</b>	-40 °C to +65 °C (-40 °F to +149 °F)
<b>Corrosion Test Method</b>	IEC 60068-2-11, 30 days
<b>Ingress Protection Test Method</b>	IEC 60529:2001, IP67

## Packaging and Weights

<b>Included</b>	Mounting hardware
<b>Weight, net</b>	2.6 kg   5.732 lb

## Regulatory Compliance/Certifications

<b>Agency</b>	<b>Classification</b>
ISO 9001:2015	Designed, manufactured and/or distributed under this quality management system

