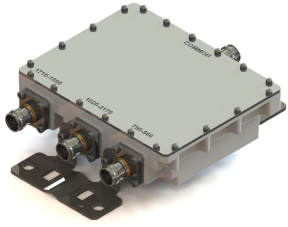


# E12F05P89



Triplexer 900/1800/2100, dc bypass on 2100 MHz port, with 4.3-10 connectors

- New 4.3-10 connectors for improved PIM performance and size reduction
- Industry leading PIM performance
- Suitable for feeders cables reduction

## OBSOLETE

This product was discontinued on: December 31, 2023

### Replaced By:

E12F05P92

Triplexer 900/1800/2100, dc bypass on all ports, with 4.3-10 connectors

## Product Classification

**Product Type** Triplexer

## General Specifications

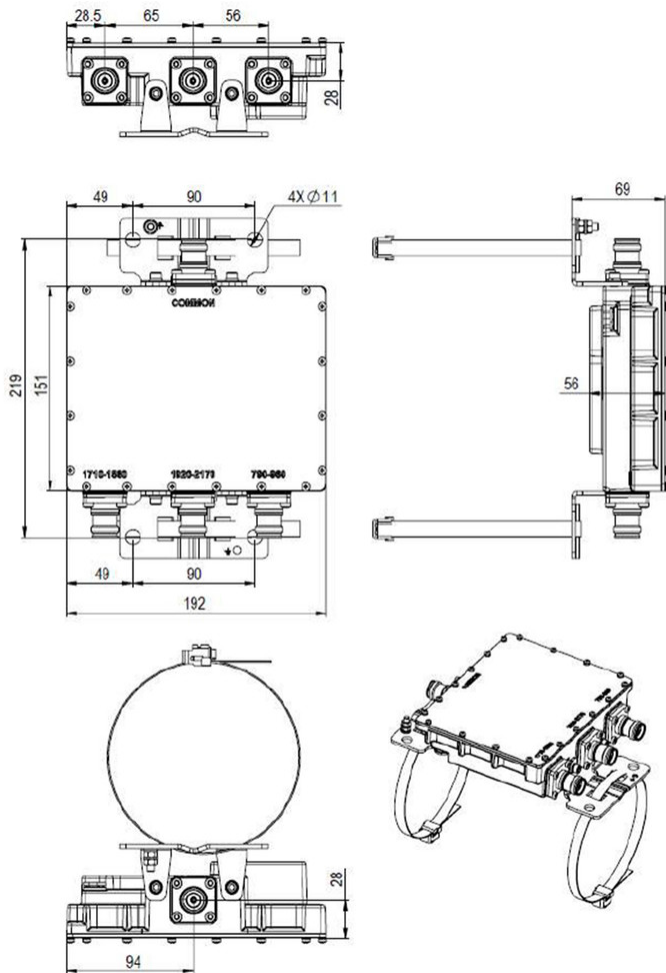
<b>Product Family</b>	CBC81821
<b>Color</b>	Gray
<b>Common Port Label</b>	Common
<b>Modularity</b>	1-Single
<b>Mounting</b>	Pole   Wall
<b>Mounting Pipe Hardware</b>	Band clamps (2)
<b>RF Connector Interface</b>	4.3-10 Female
<b>RF Connector Interface Body Style</b>	Medium neck

## Dimensions

<b>Height</b>	151 mm   5.945 in
<b>Width</b>	56 mm   2.205 in
<b>Depth</b>	192 mm   7.559 in
<b>Mounting Pipe Diameter Range</b>	40–160 mm

# E12F05P89

## Outline Drawing



## Electrical Specifications

<b>Impedance</b>	50 ohm
<b>License Band, Band Pass</b>	CEL 850   CEL 900   DCS 1800   EDD 800   IMT 2100   LMR 800   LMR 900

## Electrical Specifications, dc Power/Alarm

<b>dc/AISG Pass-through, combiner</b>	Branch 3
<b>dc/AISG Pass-through, demultiplexer</b>	Branch 3
<b>Lightning Surge Current</b>	10 kA
<b>Lightning Surge Current Waveform</b>	8/20 waveform

# E12F05P89

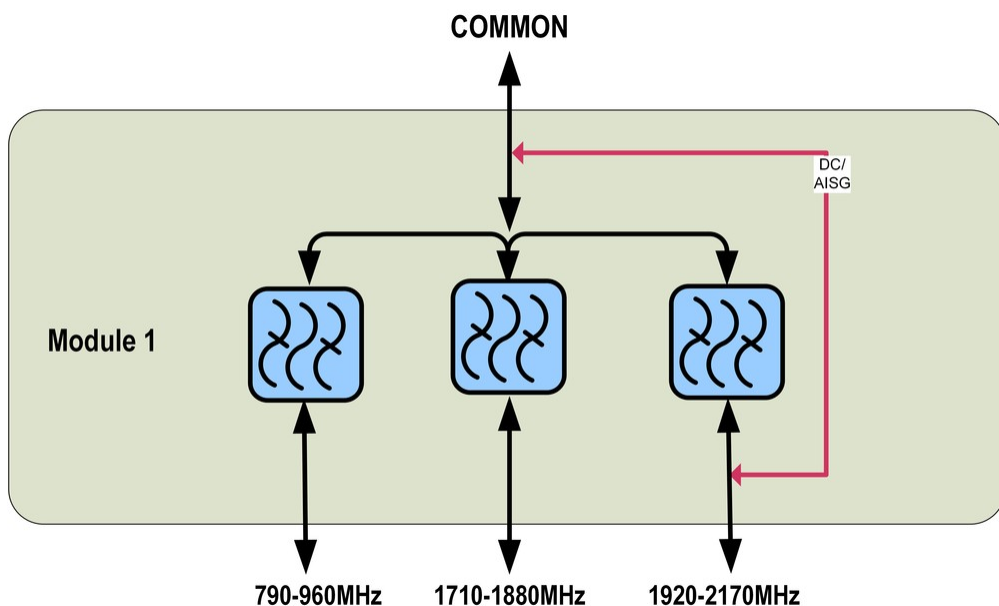
## Electrical Specifications

<b>Sub-module</b>	<b>1</b>	<b>1</b>	<b>1</b>
<b>Branch</b>	1	2	3
<b>Port Designation</b>	790-960	1710-1880	1920-2170
<b>License Band</b>	CEL 850, Band Pass CEL 900, Band Pass EDD 800, Band Pass LMR 800, Band Pass LMR 900, Band Pass	DCS 1800, Band Pass	IMT 2100, Band Pass

## Electrical Specifications, Band Pass

Frequency Range, MHz	790-960	1710-1880	1920-2170
Insertion Loss, typical, dB	0.15	0.2	0.2
Return Loss, minimum, dB	21	21	21
Return Loss, typical, dB	24	24	24
Isolation, minimum, dB	50	50	50
Input Power, RMS, maximum, W	350	250	250
Input Power, PEP, maximum, W	3000	2500	2500
3rd Order PIM, typical, dBc	-160	-160	-160
3rd Order PIM Test Method	Two +43 dBm carriers	Two +43 dBm carriers	Two +43 dBm carriers

## Block Diagram



# E12F05P89

---

## Environmental Specifications

<b>Operating Temperature</b>	-40 °C to +60 °C (-40 °F to +140 °F)
<b>Relative Humidity</b>	Up to 100%
<b>Corrosion Test Method</b>	IEC 60068-2-11, 30 days
<b>Ingress Protection Test Method</b>	IEC 60529:2001, IP67

## Packaging and Weights

<b>Included</b>	Mounting hardware
<b>Volume</b>	1.6 L
<b>Weight, net</b>	2.6 kg   5.732 lb

## Regulatory Compliance/Certifications

<b>Agency</b>	<b>Classification</b>
ISO 9001:2015	Designed, manufactured and/or distributed under this quality management system

