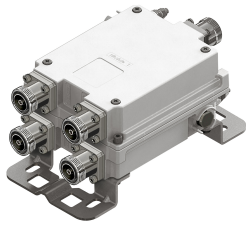


E11F13P43



Twin Diplexer, 1800/2100-2600, dc block all ports

- Designed for network Modernization, introduction of LTE1800 on existing site
- Designed for network modernization application, introduction of LTE2300 and LTE2600 on existing site
- Twin configuration
- dc Block in both ports (ground)

OBSOLETE

This product was discontinued on: July 1, 2022

Replaced By:

E14F06P33

Ultra Compact Twin Diplexer 1350-1880/1920-2690, 4.3-10 connectors

Product Classification

Product Type Diplexer

General Specifications

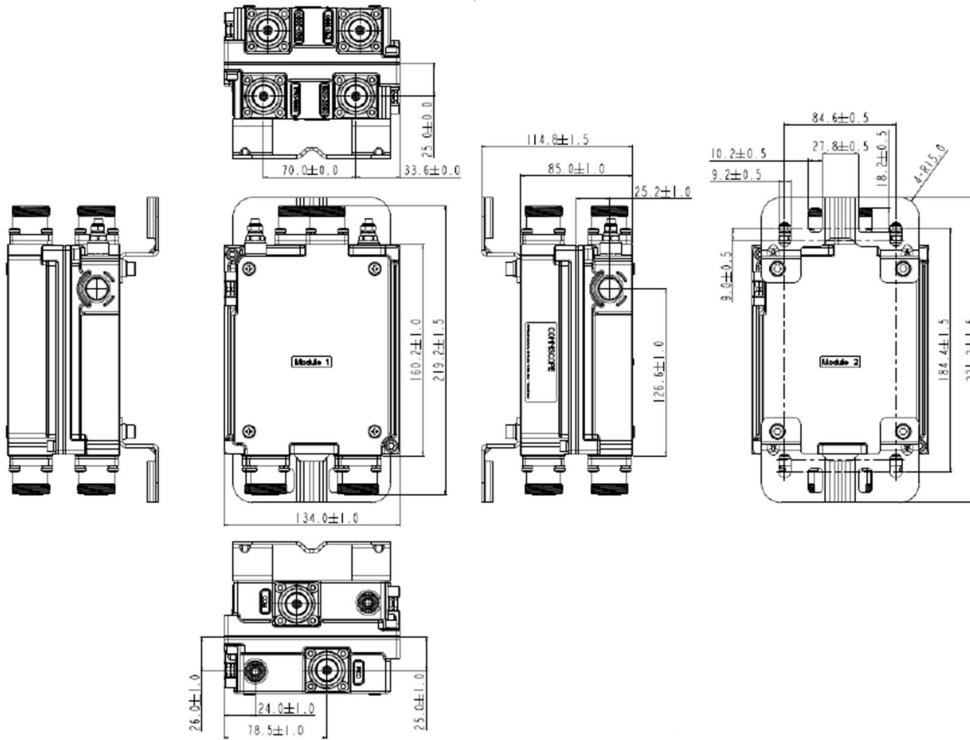
Product Family	CBC1821
Color	Gray
Common Port Label	PORT 3 COMMON
Modularity	2-Twin
Mounting	Pole Wall
Mounting Pipe Hardware	Band clamps (2)
RF Connector Interface	7-16 DIN Female
RF Connector Interface Body Style	Long neck

Dimensions

Height	85 mm 3.346 in
Width	160 mm 6.299 in
Depth	134 mm 5.276 in
Mounting Pipe Diameter Range	40–160 mm

Outline Drawing

E11F13P43



Electrical Specifications

Impedance	50 ohm
License Band, Band Pass	DCS 1800 IMT 2100 IMT 2600 WCS 2300

Electrical Specifications, dc Power/Alarm

dc/AISG Pass-through Method	No dc/AISG pass-through
dc/AISG Pass-through, combiner	dc/AISG blocking on all ports
dc/AISG Pass-through, demultiplexer	dc/AISG blocking on all ports
Lightning Surge Current	10 kA
Lightning Surge Current Waveform	8/20 waveform

Electrical Specifications, AISG

AISG Pass-through Current, maximum	3 A
---	-----

Electrical Specifications

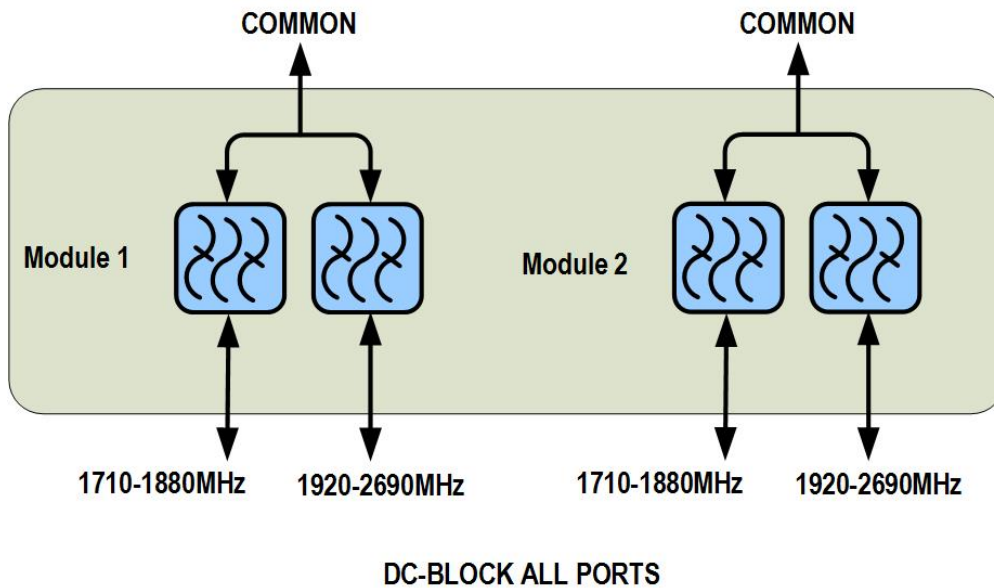
E11F13P43

Sub-module	1 2	1 2
Branch	1	2
Port Designation	PORT 1 1710-1880	PORT 2 1920-2690
License Band	DCS 1800, Band Pass	IMT 2100, Band Pass WCS 2300, Band Pass IMT 2600, Band Pass

Electrical Specifications, Band Pass

Frequency Range, MHz	1710–1880	1920–2690
Insertion Loss, maximum, dB	0.4	0.4
Insertion Loss, typical, dB	0.3	0.3
Return Loss, minimum, dB	18	18
Return Loss, typical, dB	20	20
Isolation, minimum, dB	50	50
Input Power, RMS, maximum, W	250	250
Input Power, PEP, maximum, W	2000	2000
3rd Order PIM, typical, dBc	-155	-155
3rd Order PIM Test Method	Two +43 dBm carriers	Two +43 dBm carriers

Block Diagram



Environmental Specifications

E11F13P43

Operating Temperature	-40 °C to +60 °C (-40 °F to +140 °F)
Corrosion Test Method	IEC 60068-2-11, 30 days
Ingress Protection Test Method	IEC 60529:2001, IP67

Packaging and Weights

Included	Mounting hardware
Volume	2.8 L
Weight, net	3.1 kg 6.834 lb

Regulatory Compliance/Certifications

Agency	Classification
ISO 9001:2015	Designed, manufactured and/or distributed under this quality management system

