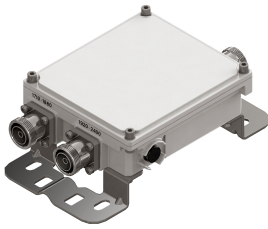


E11F13P32



Diplexer, 1800/2100-2300, AISG compatible, dc pass on all ports

- Industry leading PIM performance
- Designed for network Modernization, introduction of LTE1800 on existing site
- Designed for network Modernization, introduction of UMTS2100 on existing site
- Designed for network Modernization, introduction of LTE2300 on existing site
- dc/AISG pass-through on all frequency ports

OBSOLETE

This product was discontinued on: July 1, 2022

Product Classification

Product Type Diplexer

General Specifications

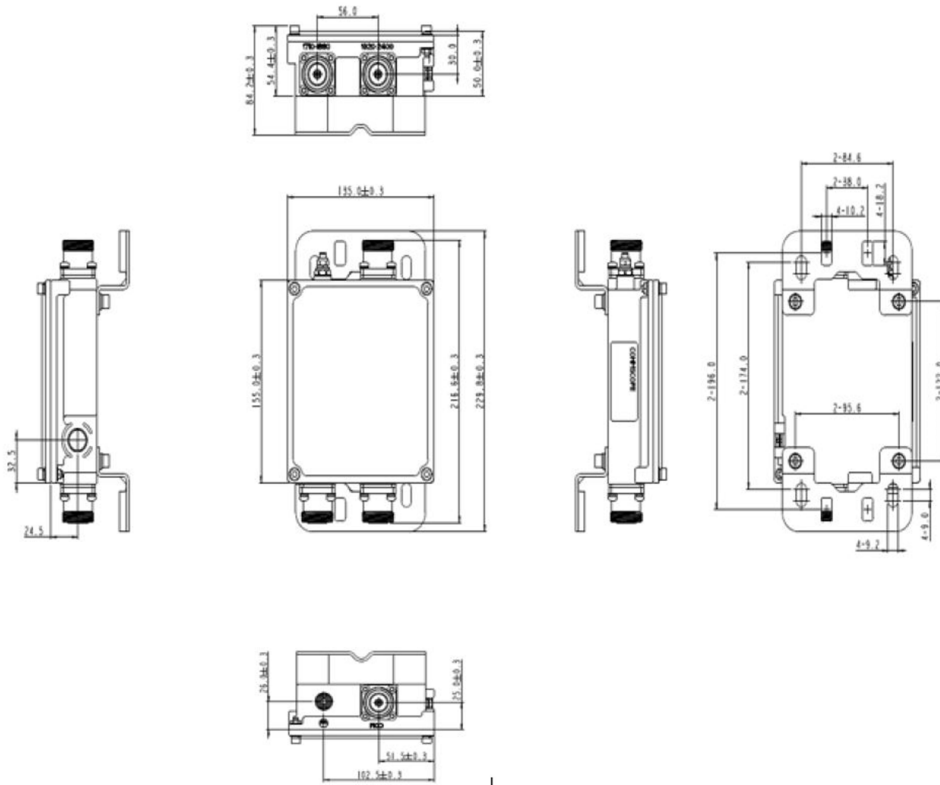
Product Family	CBC1821
Color	Gray
Common Port Label	PORT 3 COMMON
Modularity	1-Single
Mounting	Pole Wall
Mounting Pipe Hardware	Band clamps (2)
RF Connector Interface	7-16 DIN Female
RF Connector Interface Body Style	Long neck

Dimensions

Height	135 mm 5.315 in
Width	155 mm 6.102 in
Depth	52 mm 2.047 in
Mounting Pipe Diameter Range	42.6–122 mm

Outline Drawing

E11F13P32



Electrical Specifications

Impedance	50 ohm
License Band, Band Pass	DCS 1800 IMT 2100 TDD 2300

Electrical Specifications, dc Power/Alarm

dc/AISG Pass-through, combiner	Branch 1 Branch 2
dc/AISG Pass-through, demultiplexer	Branch 1 Branch 2
Lightning Surge Current	10 kA
Lightning Surge Current Waveform	8/20 waveform

Electrical Specifications, AISG

AISG Pass-through Current, maximum	3 A
---	-----

Electrical Specifications

Sub-module	1	1
Branch	1	2

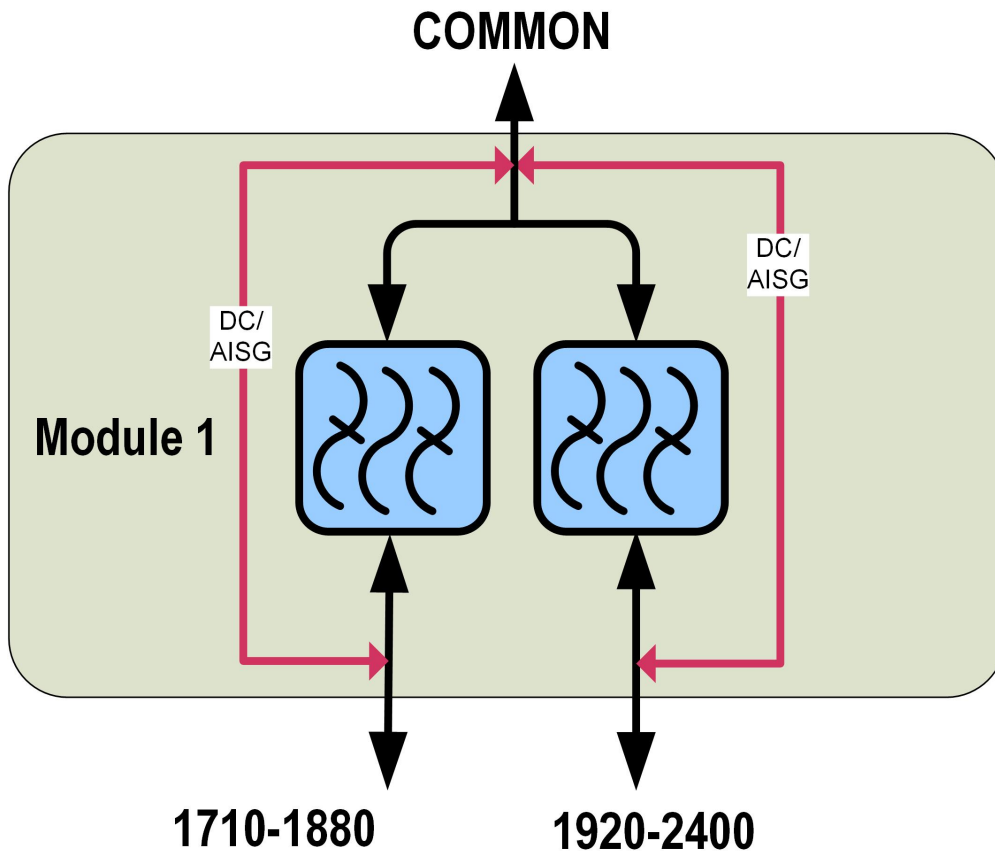
E11F13P32

Port Designation	PORT 1 1710-1880	PORT 2 1920-2400
License Band	DCS 1800, Band Pass	IMT 2100, Band Pass TDD 2300, Band Pass

Electrical Specifications, Band Pass

Frequency Range, MHz	1710–1880	1920–2400
Insertion Loss, typical, dB	0.2	0.2
Return Loss, typical, dB	20	20
Isolation, typical, dB	35	35
Input Power, RMS, maximum, W	250	250
Input Power, PEP, maximum, W	2000	2000
3rd Order PIM, typical, dBc	-157	-157
3rd Order PIM Test Method	Two +43 dBm carriers	Two +43 dBm carriers

Block Diagram



E11F13P32

Environmental Specifications

Operating Temperature	-40 °C to +60 °C (-40 °F to +140 °F)
Corrosion Test Method	IEC 60068-2-11, 30 days
Ingress Protection Test Method	IEC 60529:2001, IP67

Packaging and Weights

Included	Mounting hardware
Volume	1.1 L
Weight, net	1.7 kg 3.748 lb

Regulatory Compliance/Certifications

Agency	Classification
ISO 9001:2015	Designed, manufactured and/or distributed under this quality management system

