

# D-AWS-10-A-CDEF

---



AWS In-Band Diplexer Tuning version 1A, AWS A/CDEF Bands with AISG /DC Sense

**OBSOLETE**

This product was discontinued on: **March 30, 2024**

## Product Classification

**Product Type** Diplexer

## General Specifications

**Application** Indoor | Outdoor

**Antenna Interface** 7-16 DIN Female

**Connector Interface Style** Long neck

**Rx Interface** 7-16 DIN Female

## Dimensions

**Height** 203 mm | 7.992 in

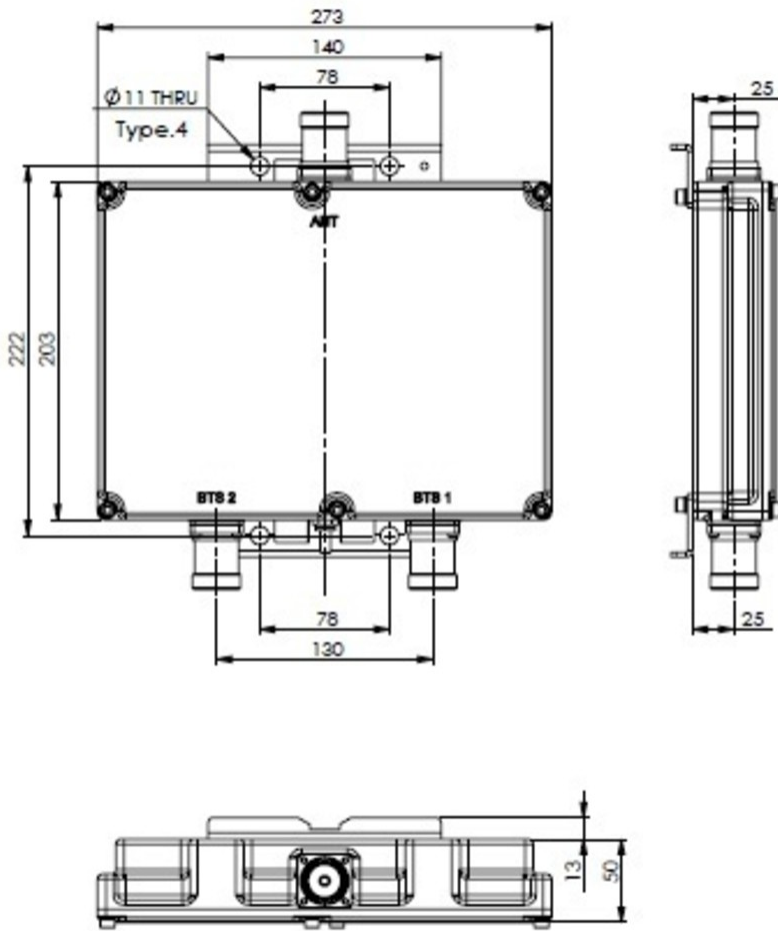
**Width** 273 mm | 10.748 in

**Depth** 50 mm | 1.969 in

**Ground Screw Diameter** 5 mm | 0.197 in

# D-AWS-10-A-CDEF

## Outline Drawing



### Electrical Specifications, Rx (Uplink)

<b>Frequency Band</b>	1710 – 1720 MHz
<b>Insertion Loss, typical</b>	0.5 dB
<b>Return Loss, minimum</b>	18 dB
<b>Isolation, minimum</b>	25 dB

### Electrical Specifications 2, Rx (Uplink)

<b>Frequency Band</b>	1730 – 1755 MHz
<b>Isolation, minimum</b>	25 dB
<b>Insertion Loss, typical</b>	0.5 dB

# D-AWS-10-A-CDEF

---

**Return Loss, minimum** 18 dB

## Electrical Specifications, Tx (Downlink)

**Frequency Band** 2110 – 2120 MHz

**Isolation, minimum** 30 dB

**Input Power, PEP, maximum** 5000 W

**Total Group Delay, maximum** 50 ns

**Insertion Loss, typical** 0.5 dB

**Return Loss, minimum** 18 dB

## Electrical Specifications 2, Tx (Downlink)

**Frequency Band** 2130 – 2155 MHz

**Input Power, PEP, maximum** 5000 W

**Insertion Loss, typical** 0.5 dB

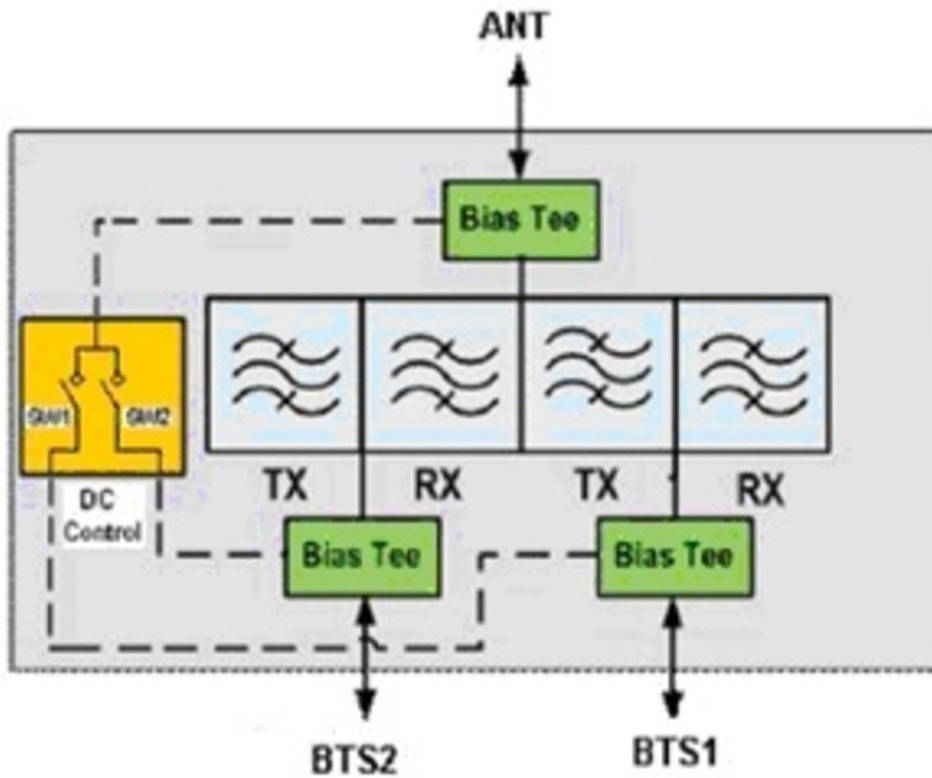
**Isolation, minimum** 30 dB

**Return Loss, minimum** 18 dB

**Total Group Delay, maximum** 50 ns

## Block Diagram

# D-AWS-10-A-CDEF



## Environmental Specifications

<b>Operating Temperature</b>	-40 °C to +60 °C (-40 °F to +140 °F)
<b>Ingress Protection Test Method</b>	IEC 60529:2001, IP67

## Packaging and Weights

<b>Included</b>	Brackets
<b>Weight, without mounting hardware</b>	3.2 kg   7.055 lb