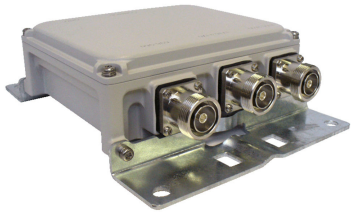


# CBC71726-DP | E11F01P93



Triplexer 698-960/1695-2200/2300-2600, dc bypass on all ports

## OBSOLETE

This product was discontinued on: March 19, 2019

### Replaced By:

CBC71726-DS-43  
E14F10P43

Triplexer 698-960/1695-2200/2300-2700, DC-sense with 4.3-10 connectors

## Product Classification

**Product Type** Triplexer

## General Specifications

**Product Family** CBC71726

**Color** Gray

**Common Port Label** COMM

**Modularity** 1-Single

**Mounting** Pole | Wall

**Mounting Pipe Hardware** Band clamps (2)

**RF Connector Interface** 7-16 DIN Female

**RF Connector Interface Body Style** Medium neck

## Dimensions

**Height** 153 mm | 6.024 in

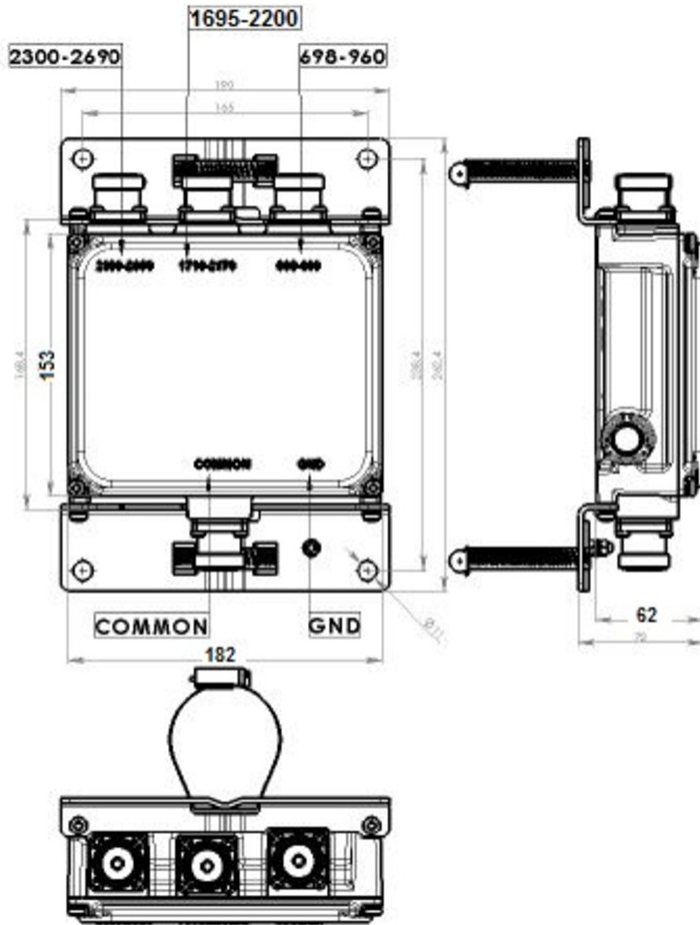
**Width** 62 mm | 2.441 in

**Depth** 182 mm | 7.165 in

**Mounting Pipe Diameter Range** 42.6–122 mm

# CBC71726-DP | E11F01P93

## Outline Drawing



## Electrical Specifications

### Impedance

50 ohm

### License Band, Band Pass

APT 700 | AWS 1700 | CEL 850 | CEL 900 | DCS 1800 | EDD 800 | IMT 2100 | IMT 2600 | LMR 750 | LMR 800 | LMR 900 | PCS 1900 | USA 700 | USA 750 | WCS 2300

## Electrical Specifications, dc Power/Alarm

### dc/AISG Pass-through, combiner

Branch 1 | Branch 2 | Branch 3

### dc/AISG Pass-through, demultiplexer

Branch 1 | Branch 2 | Branch 3

### Lightning Surge Current

5 kA

### Lightning Surge Current Waveform

8/20 waveform

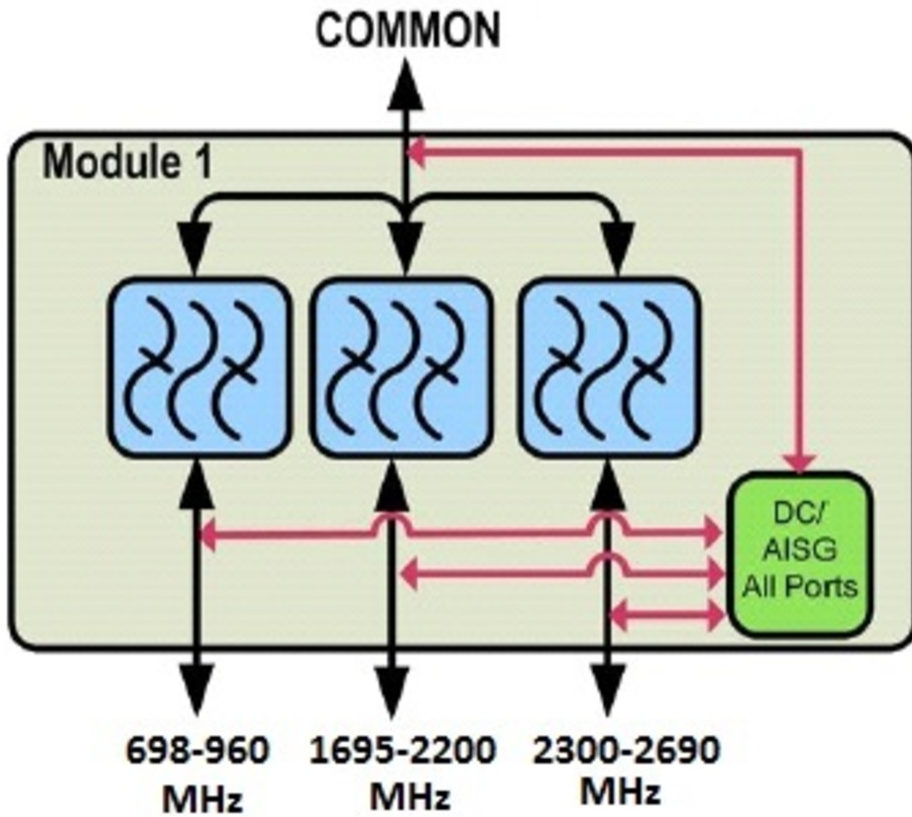
## Electrical Specifications

Sub-module	1	1	1
Branch	1	2	3
Port Designation	698-960	1695-2200	2300-2690
License Band	APT 700, Band Pass CEL 850, Band Pass CEL 900, Band Pass EDD 800, Band Pass LMR 750, Band Pass LMR 800, Band Pass LMR 900, Band Pass USA 700, Band Pass USA 750, Band Pass	AWS 1700, Band Pass DCS 1800, Band Pass IMT 2100, Band Pass PCS 1900, Band Pass	IMT 2600, Band Pass WCS 2300, Band Pass

## Electrical Specifications, Band Pass

Frequency Range, MHz	698–960	1695–2200	2300–2690
Insertion Loss, typical, dB	0.15	0.2	0.25
Total Group Delay, maximum, ns	20	25	20
Return Loss, minimum, dB	18	18	18
Return Loss, typical, dB	20	20	20
Isolation, minimum, dB	50	50	50
3rd Order PIM, typical, dBc	-155	-155	-155
3rd Order PIM Test Method	2 x 20 W CW tones	2 x 20 W CW tones	2 x 20 W CW tones

## Block Diagram



## Environmental Specifications

<b>Operating Temperature</b>	-40 °C to +60 °C (-40 °F to +140 °F)
<b>Relative Humidity</b>	Up to 100%
<b>Ingress Protection Test Method</b>	IEC 60529:2001, IP67

## Packaging and Weights

<b>Included</b>	Mounting hardware
<b>Volume</b>	1.9 L
<b>Weight, net</b>	3.2 kg   7.055 lb

## Regulatory Compliance/Certifications

<b>Agency</b>	<b>Classification</b>
ISO 9001:2015	Designed, manufactured and/or distributed under this quality management system



