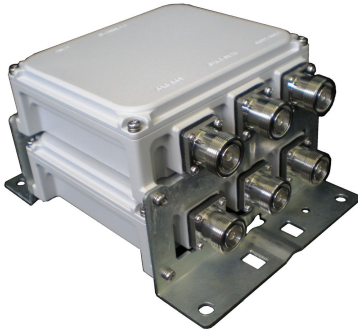


CBC71726-DP-2X | E11F01P78



2X Triplexer 698-960/1695-2200/2300-2600, dc bypass on all ports

OBSOLETE

This product was discontinued on: March 19, 2019

Replaced By:

CTX41727T-DS-43
E14F10P52

Twin Triplexer 380-960/1695-2200/2300- 2700, DC-sense with 4.3-10 connectors

Product Classification

Product Type Triplexer

General Specifications

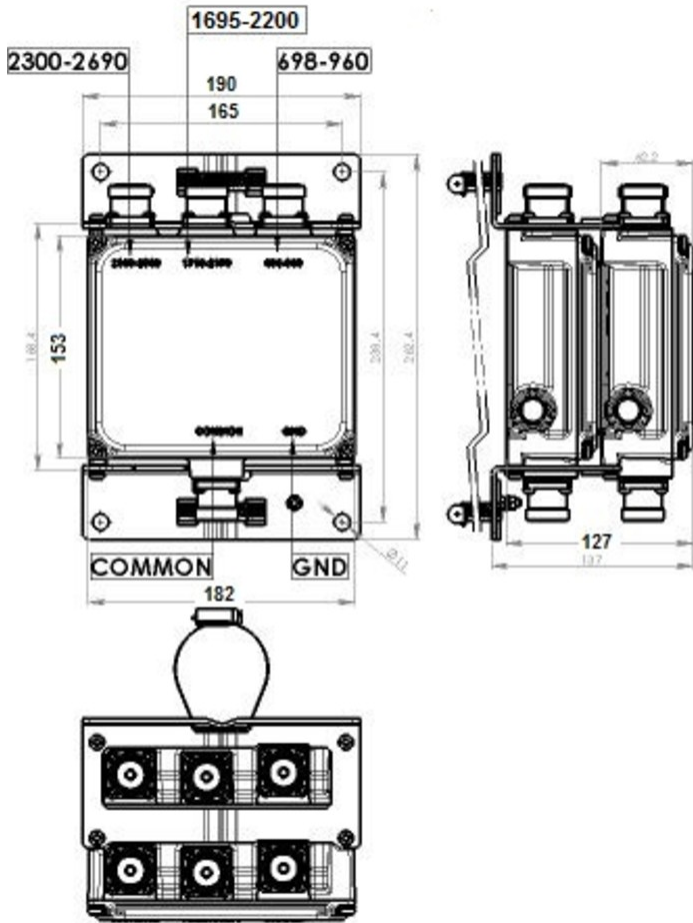
Product Family	CBC71726
Color	Gray
Common Port Label	COMM
Modularity	2-Twin
Mounting	Pole Wall
Mounting Pipe Hardware	Band clamps (2)
RF Connector Interface	7-16 DIN Female
RF Connector Interface Body Style	Medium neck

Dimensions

Height	153 mm 6.024 in
Width	127 mm 5 in
Depth	182 mm 7.165 in
Mounting Pipe Diameter Range	42.6–122 mm

CBC71726-DP-2X | E11F01P78

Outline Drawing



Electrical Specifications

Impedance	50 ohm
License Band, Band Pass	APT 700 AWS 1700 CEL 850 CEL 900 DCS 1800 EDD 800 IMT 2100 IMT 2600 LMR 750 LMR 800 LMR 900 PCS 1900 USA 700 USA 750 WCS 2300

Electrical Specifications, dc Power/Alarm

dc/AISG Pass-through, combiner	Branch 1 Branch 2 Branch 3
dc/AISG Pass-through, demultiplexer	Branch 1 Branch 2 Branch 3
Lightning Surge Current	5 kA
Lightning Surge Current Waveform	8/20 waveform

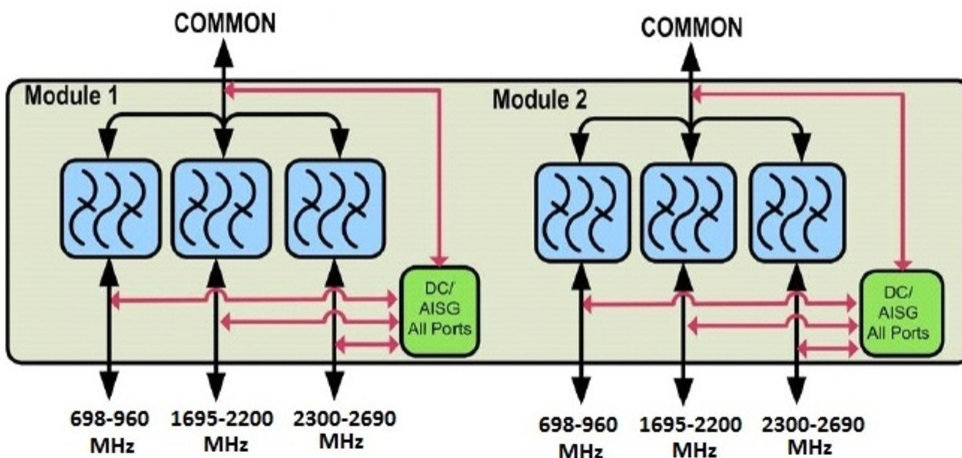
Electrical Specifications

Sub-module	1 2	1 2	1 2
Branch	1	2	3
Port Designation	698-960	1695-2200	2300-2690
License Band	APT 700, Band Pass CEL 850, Band Pass CEL 900, Band Pass EDD 800, Band Pass LMR 750, Band Pass LMR 800, Band Pass LMR 900, Band Pass USA 700, Band Pass USA 750, Band Pass	AWS 1700, Band Pass DCS 1800, Band Pass IMT 2100, Band Pass PCS 1900, Band Pass	IMT 2600, Band Pass WCS 2300, Band Pass

Electrical Specifications, Band Pass

Frequency Range, MHz	698-960	1695-2200	2300-2690
Insertion Loss, typical, dB	0.15	0.2	0.25
Total Group Delay, maximum, ns	20	25	20
Return Loss, minimum, dB	18	18	18
Return Loss, typical, dB	20	20	20
Isolation, minimum, dB	50	50	50
3rd Order PIM, typical, dBc	-155	-155	-155
3rd Order PIM Test Method	2 x 20 W CW tones	2 x 20 W CW tones	2 x 20 W CW tones

Block Diagram



Environmental Specifications

Operating Temperature -40 °C to +60 °C (-40 °F to +140 °F)

CBC71726-DP-2X | E11F01P78

Relative Humidity	Up to 100%
Ingress Protection Test Method	IEC 60529:2001, IP67

Packaging and Weights

Included	Mounting hardware
Volume	3.9 L
Weight, net	6.3 kg 13.889 lb
Weight, without mounting hardware	5.7 kg 12.566 lb

Regulatory Compliance/Certifications

Agency	Classification
ISO 9001:2015	Designed, manufactured and/or distributed under this quality management system

