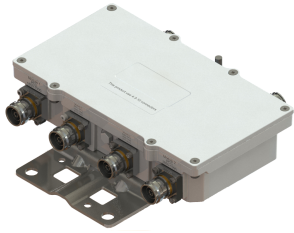


# CBC1923T-43 | E14F55P15



## Twin Diplexer PCS/AWS+WCS, DC block, 4.3-10

- Full performance in a fraction of the size
- High power handling
- Includes AWS-3 and AWS-4 bands
- New 4.3-10 connectors for improved PIM performance and size reduction
- dc/AISG blocking on all ports (DC grounded)
- Twin configuration
- Ideal for small cell applications

### **OBSOLETE**

This product was discontinued on: April 30, 2020

#### Replaced By:

SDX1926T-43  
E14F05P85

Ultra Compact Twin Diplexer PCS/AWS+WCS+BRS, DC AWS/WCS/BRS, 4.3-10

## Product Classification

**Product Type** Diplexer

## General Specifications

**Color** Gray

**Common Port Label** Common

**Modularity** 2-Twin

**RF Connector Interface** 4.3-10 Female

**RF Connector Interface Body Style** Long neck

## Dimensions

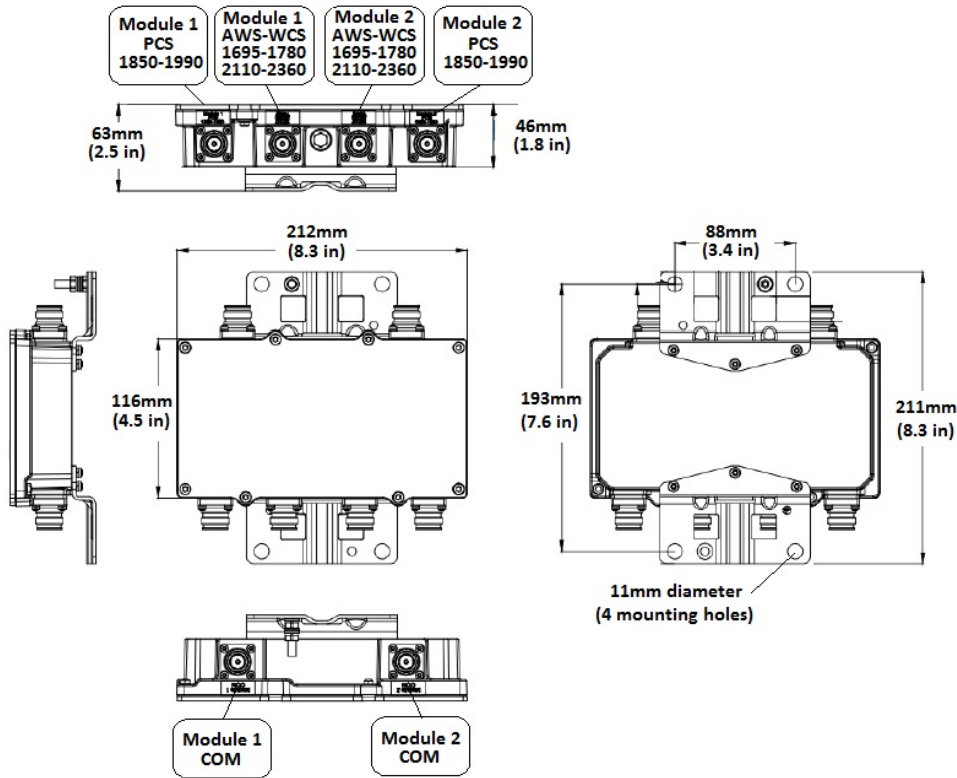
**Height** 212 mm | 8.346 in

**Width** 116 mm | 4.567 in

**Depth** 46 mm | 1.811 in

## Outline Drawing

# CBC1923T-43 | E14F55P15



## Electrical Specifications

**License Band, Band Pass** AWS 1700 | PCS 1900 | TDD 1900 | WCS 2300

## Electrical Specifications, dc Power/Alarm

**Lightning Surge Current** 5 kA  
**Lightning Surge Current Waveform** 8/20 waveform

## Electrical Specifications

Sub-module	1   2	1   2
<b>Branch</b>	1	2
<b>Port Designation</b>	AWS-WCS	PCS
<b>License Band</b>	AWS 1700, Band Pass WCS 2300, Band Pass	PCS 1900, Band Pass

## Electrical Specifications, Band Pass

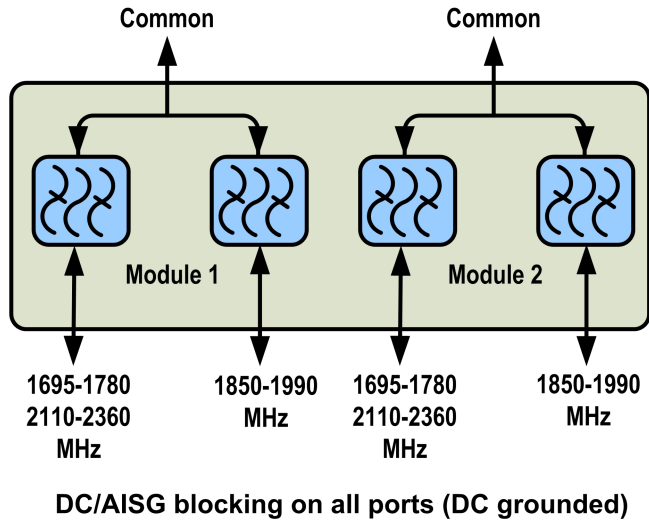
Frequency Range, MHz	1695-1780 2110-2360	1850-1995
<b>Insertion Loss, typical, dB</b>	0.25	0.25

# CBC1923T-43 | E14F55P15

---

<b>Total Group Delay, maximum, ns</b>	15	15
<b>Return Loss, typical, dB</b>	23	23
<b>Isolation, typical, dB</b>	40	40
<b>Input Power, RMS, maximum, W</b>	100	100
<b>Input Power, PEP, maximum, W</b>	1500	1500
<b>3rd Order PIM, minimum, dBc</b>	-161	-161
<b>3rd Order PIM Test Method</b>	1 x 20 W AWS CW tone 1 x 20 W PCS CW tone	2 x 20 W CW tones

## Block Diagram



## Material Specifications

**Finish** Painted

## Mechanical Specifications

**Wind Loading @ Velocity, frontal** 12.0 N @ 150 km/h (2.7 lbf @ 150 km/h)

**Wind Loading @ Velocity, lateral** 3.0 N @ 150 km/h (0.7 lbf @ 150 km/h)

## Environmental Specifications

**Operating Temperature** -40 °C to +65 °C (-40 °F to +149 °F)

**Relative Humidity** Up to 100%

**Corrosion Test Method** IEC 60068-2-11, 30 days

**Ingress Protection Test Method** IEC 60529:2001, IP67

## Packaging and Weights

**Mounting Hardware Weight** 0.3 kg | 0.661 lb

**Weight, without mounting hardware** 2 kg | 4.409 lb