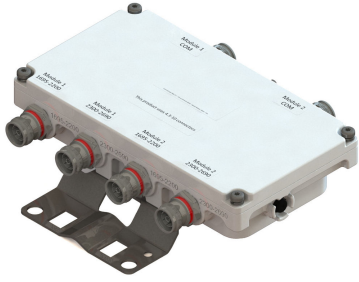


CBC1726T-4310 | E14F55P09



Ultra Compact Twin Diplexer 1695-2200/2300-2690 MHz, 4.3-10 connectors

- Ideal for small cell applications
- Compact form factor with reduced size and weight
- Suitable for space limited applications like Metro Cell, Lamp Pole and Concealment Solution
- Industry leading PIM performance
- Designed for network modernization application, introduction of LTE 4x4 MIMO
- Twin configuration
- New 4.3-10 connectors for improved PIM performance and size reduction

Product Classification

Product Type Diplexer

General Specifications

Product Family CBC1726

Color Gray

Common Port Label Common

Modularity 2-Twin

RF Connector Interface 4.3-10 Female

RF Connector Interface Body Style Long neck

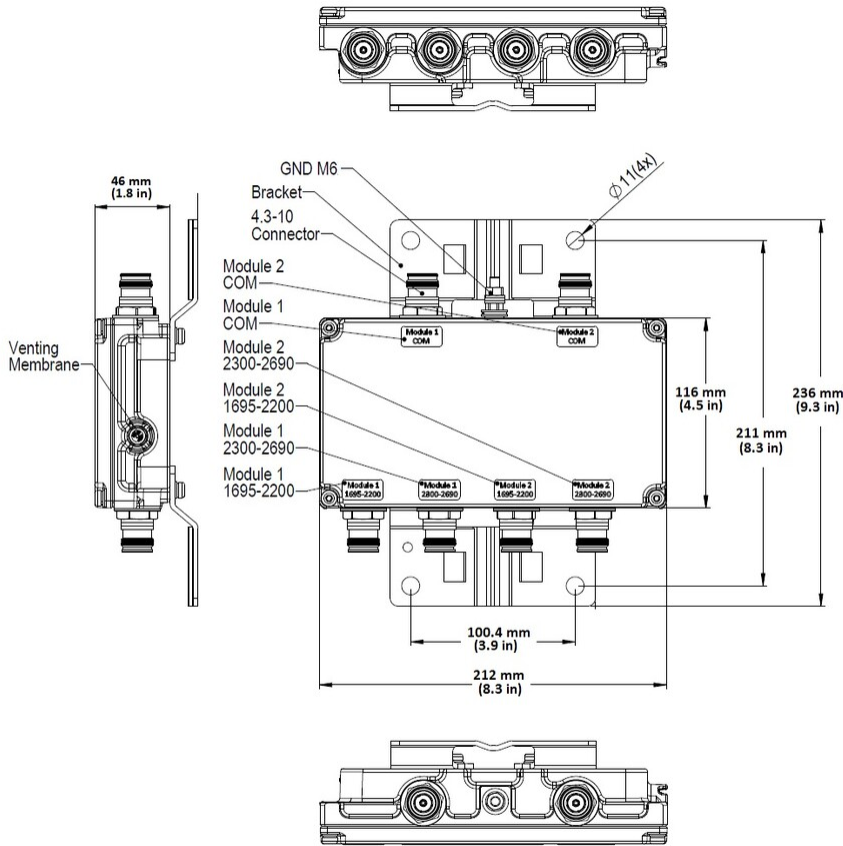
Dimensions

Height 212 mm | 8.346 in

Width 116 mm | 4.567 in

Depth 46 mm | 1.811 in

Outline Drawing



Electrical Specifications

Impedance	50 ohm
License Band, Band Pass	AWS 1700 DCS 1800 IMT 2100 IMT 2600 PCS 1900 TDD 2300 TDD 2600 WCS 2300

Electrical Specifications, dc Power/Alarm

dc/AISG Pass-through Method	No dc/AISG pass-through
dc/AISG Pass-through, combiner	dc/AISG blocking on all ports
dc/AISG Pass-through, demultiplexer	dc/AISG blocking on all ports
Lightning Surge Current	5 kA
Lightning Surge Current Waveform	8/20 waveform

CBC1726T-4310 | E14F55P09

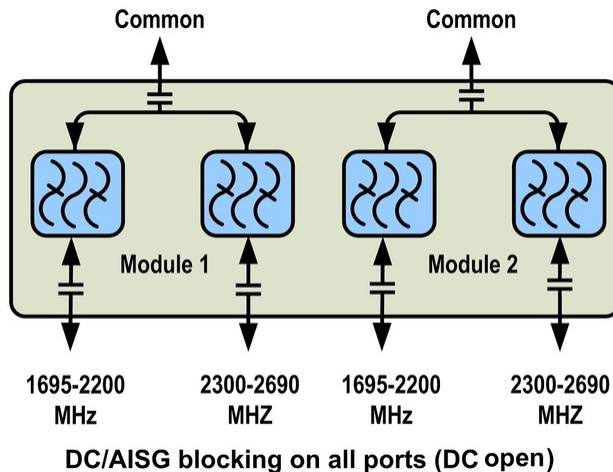
Electrical Specifications

Sub-module	1 2	1 2
Branch	1	2
Port Designation	Port 1695-2200	Port 2300-2690
License Band	DCS 1800, Band Pass IMT 2100, Band Pass AWS 1700, Band Pass PCS 1900, Band Pass	TDD 2600, Band Pass TDD 2300, Band Pass WCS 2300, Band Pass IMT 2600, Band Pass

Electrical Specifications, Band Pass

Frequency Range, MHz	1695–2200	2300–2690
Insertion Loss, typical, dB	0.25	0.25
Total Group Delay, maximum, ns	12	12
Return Loss, minimum, dB	20	20
Return Loss, typical, dB	23	23
Isolation, typical, dB	40	40
Input Power, RMS, maximum, W	100	100
Input Power, PEP, maximum, W	1500	1500
3rd Order PIM, maximum, dBc	-155	-155
3rd Order PIM Test Method	2 x 20 W CW tones	2 x 20 W CW tones

Block Diagram



Material Specifications

Finish Painted

CBC1726T-4310 | E14F55P09

Environmental Specifications

Operating Temperature	-40 °C to +65 °C (-40 °F to +149 °F)
Relative Humidity	Up to 100%
Corrosion Test Method	IEC 60068-2-11, 30 days
Ingress Protection Test Method	IEC 60529:2001, IP67

Packaging and Weights

Mounting Hardware Weight	0.4 kg 0.882 lb
Weight, without mounting hardware	1.9 kg 4.189 lb

Regulatory Compliance/Certifications

Agency	Classification
CHINA-ROHS	Below maximum concentration value
REACH-SVHC	Compliant as per SVHC revision on www.andrew.com/ProductCompliance
ROHS	Compliant
UK-ROHS	Compliant

