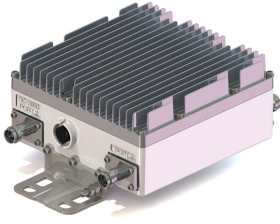


CHB626-43 | D15T01P37



Hybrid Combiner

- High power handling
- Hybrid combiner providing the flexibility of combining any two carriers within 617-2700 MHz
- Integrated low PIM load allows for simplified installation
- Ideal for combining carriers of any technology combination (LTE, UMTS, CDMA, GSM, etc.) independent of guard band restrictions
- Self-contained housing ensures highest reliability in severe environments
- DC-AISG passing capability from Port 2 to Common Port
- New 4.3-10 connectors for improved PIM performance and size reduction

Product Classification

Product Type	Hybrid combiner
Product Brand	UltraBand™

General Specifications

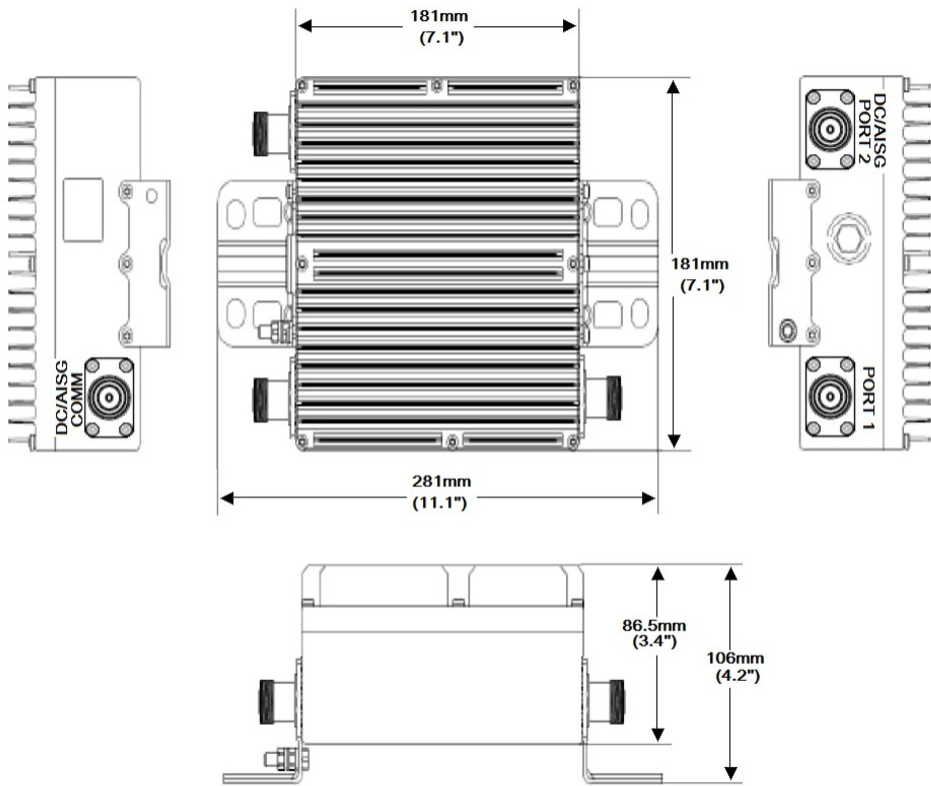
AISG Carrier	2176 KHz ± 100 ppm
Color	Gray
Connector Interface	4.3-10 Female
Modularity	Single
Mounting	Pole Wall
Mounting Pipe Hardware	Band clamps

Dimensions

Height	181 mm 7.126 in
Width	181 mm 7.126 in
Depth	86.5 mm 3.406 in
Ground Screw Diameter	6 mm 0.236 in

Outline Drawing

CHB626-43 | D15T01P37



Electrical Specifications

3rd Order IMD Test Method	Two +43 dBm carriers
3rd Order IMD, typical	-161 dBc
dc Pass-through	Branch 2
Lightning Surge Current	10 kA
Lightning Surge Current Waveform	8/20 waveform

Electrical Specifications, AISG

dc Current, maximum	2.5 A
----------------------------	-------

Electrical Specifications, Branch 1

Coupling	3.1 dB
Coupling Tolerance	±0.8 dB
Input Power, PEP	3000 W
Input Power, RMS	150 W
Isolation, typical	30 dB

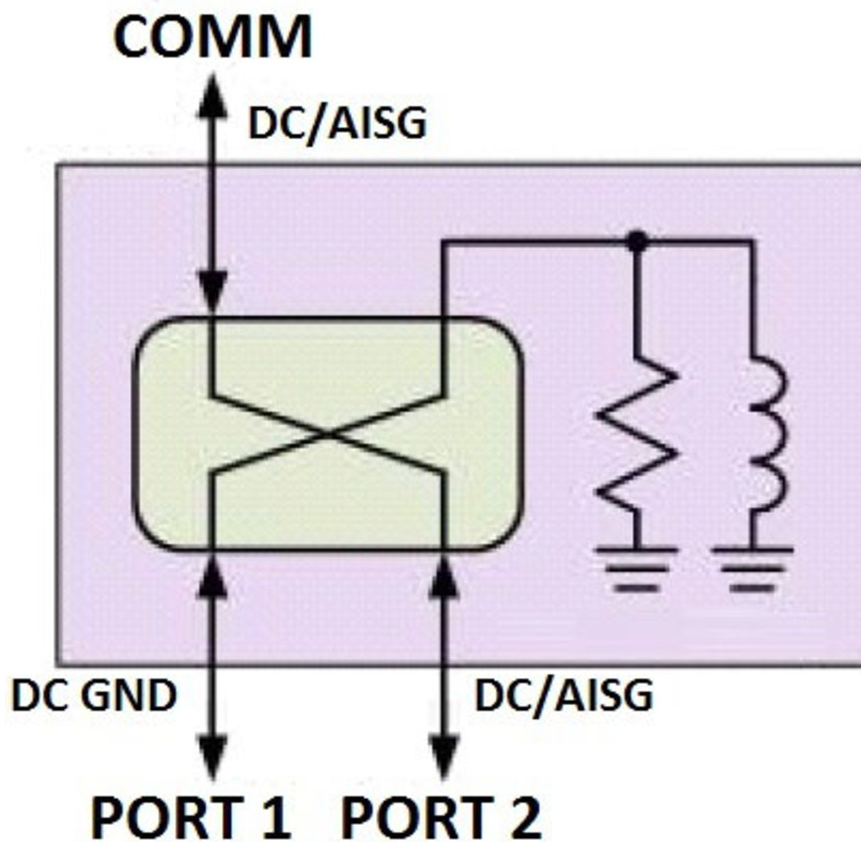
CHB626-43 | D15T01P37

Operating Frequency Band	617 – 2700 MHz
Port Designation	Port 1
Return Loss, typical	22 dB

Electrical Specifications, Branch 2

Coupling	3.1 dB
Coupling Tolerance	± 0.8 dB
Input Power, PEP	3000 W
Input Power, RMS	150 W
Isolation, typical	30 dB
Operating Frequency Band	617 – 2700 MHz
Port Designation	Port 2
Return Loss, typical	22 dB

Block Diagram



CHB626-43 | D15T01P37

Environmental Specifications

Operating Temperature -40 °C to +65 °C (-40 °F to +149 °F)

Ingress Protection Test Method IEC 60529:2001, IP67

Packaging and Weights

Included Mounting hardware

Weight, net 4.3 kg | 9.48 lb

Regulatory Compliance/Certifications

Agency	Classification
ISO 9001:2015	Designed, manufactured and/or distributed under this quality management system