

CBC782123T-DM | E11F23P08



Twin Quadplexer, 700/850/PCS-AWS/WCS,DC Manual Select

- BTS-to-feeder and feeder-to-antenna application
- Convertible mounting brackets

OBSOLETE

This product was discontinued on: February 20, 2019

Replaced By:

CQX782123T-DS-43
E14F15P26

Twin Quadplexer, 700/850/PCS-AWS/WCS,DC Sense, 4.3-10

Product Classification

Product Type Quadplexer

General Specifications

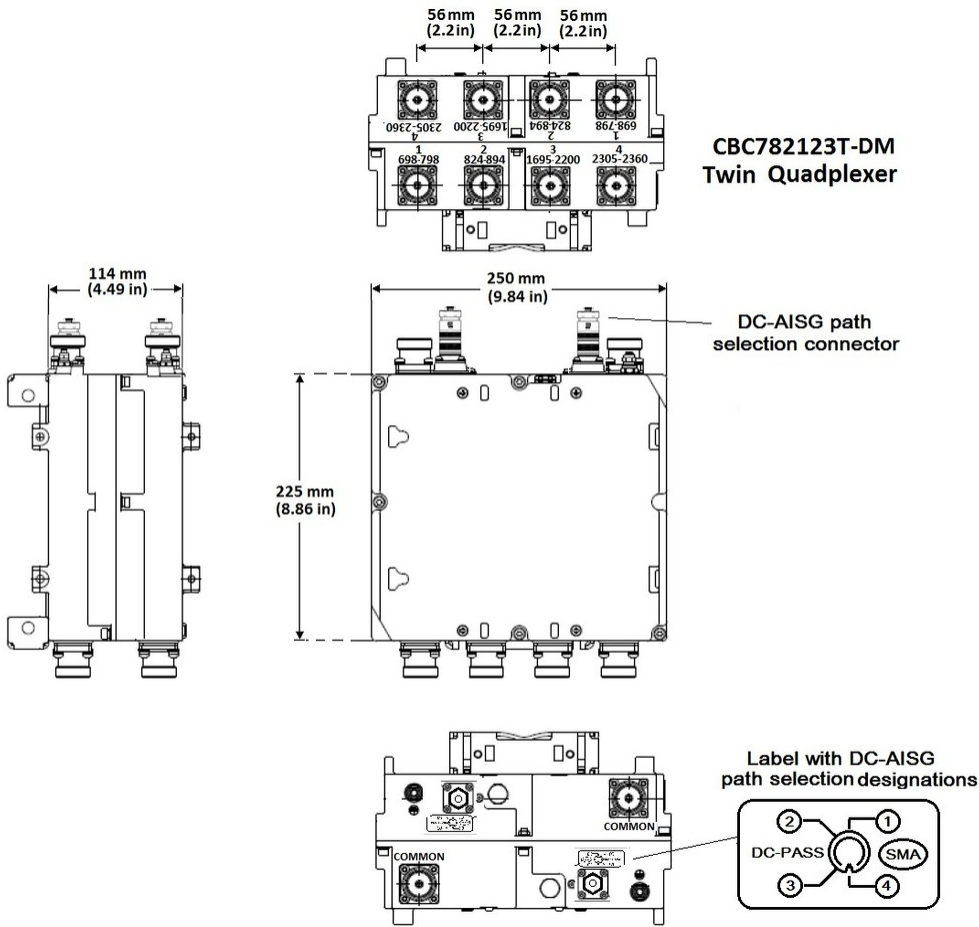
Product Family	CBC782123
Color	Gray
Common Port Label	COMMON
Modularity	2-Twin
Mounting	Pole Wall
Mounting Pipe Hardware	Band clamps (2)
RF Connector Interface	7-16 DIN Female
RF Connector Interface Body Style	Long neck

Dimensions

Height	225 mm 8.858 in
Width	250 mm 9.843 in
Depth	114 mm 4.488 in
Ground Screw Diameter	6 mm 0.236 in
Mounting Pipe Diameter Range	40–160 mm

CBC782123T-DM | E11F23P08

Outline Drawing



Electrical Specifications

Impedance	50 ohm
License Band, Band Pass	AWS 1700 CEL 850 LMR 750 PCS 1900 USA 700 USA 750 WCS 2300

Electrical Specifications, dc Power/Alarm

dc/AISG Pass-through Method	User selectable
dc/AISG Pass-through Path	Manual adjustment sets dc/AISG path
Lightning Surge Current	5 kA
Lightning Surge Current Waveform	8/20 waveform
Operating Current at Voltage	15 mA @ 12 V 15 mA @ 24 V
Voltage	7–30 Vdc

CBC782123T-DM | E11F23P08

Electrical Specifications, AISG

AISG Carrier	2176 KHz ± 100 ppm
Insertion Loss, maximum	1 dB
Return Loss, minimum	15 dB

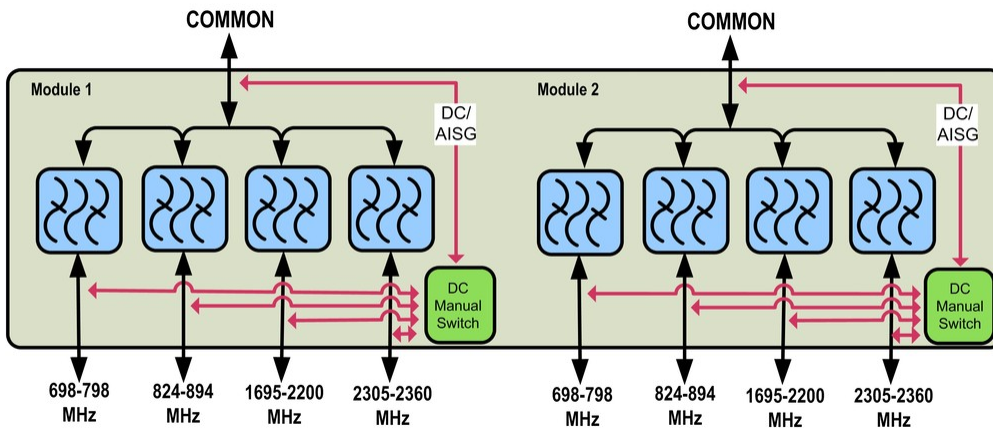
Electrical Specifications

Sub-module	1 2	1 2	1 2	1 2	1 2
Branch	1	2	3	3	4
Port Designation	698-798	824-894	AWS-PCS	PCS-AWS	WCS
License Band	LMR 750, Band Pass USA 700, Band Pass USA 750, Band Pass	CEL 850, Band Pass	AWS 1700, Band Pass	PCS 1900, Band Pass	WCS 2300, Band Pass

Electrical Specifications, Band Pass

Frequency Range, MHz	698–798	824–894	1695–1780 2110–2180	1850–1990	2305–2360
Insertion Loss, typical, dB	0.35	0.35	0.3	0.3	0.3
Total Group Delay, maximum, ns	50	50	30	30	30
Return Loss, minimum, dB	20	20	20	20	20
Isolation, minimum, dB	50	50	50	50	50
Input Power, RMS, maximum, W	200	200	200	200	200
Input Power, PEP, maximum, W	2000	2000	2000	2000	2000
3rd Order PIM, typical, dBc	-155	-155	-155	-155	
3rd Order PIM Test Method	2 x 20 W CW tones	2 x 20 W CW tones	1 x 20 W AWS CW tone 1 x 20 W PCS CW tone	2 x 20 W CW tones	
Higher Order PIM, typical, dBc					-155
Higher Order PIM Test Method					2 x 20 W CW tones

Block Diagram



Environmental Specifications

Operating Temperature -40 °C to +65 °C (-40 °F to +149 °F)
Ingress Protection Test Method IEC 60529:2001, IP67

Packaging and Weights

Included Mounting hardware
Weight, net 9.2 kg | 20.283 lb