

CBC7821-DF | E11F05P04



Triplexer 700 and 750/Cellular/AWS and PCS

OBSOLETE

This product was discontinued on: October 31, 2018

Replaced By:

CBC7823-DS-43
E14F60P03

Triplexer 700/850/1695-2360,dc Sense, 4.3-10

Product Classification

Product Type Triplexer

General Specifications

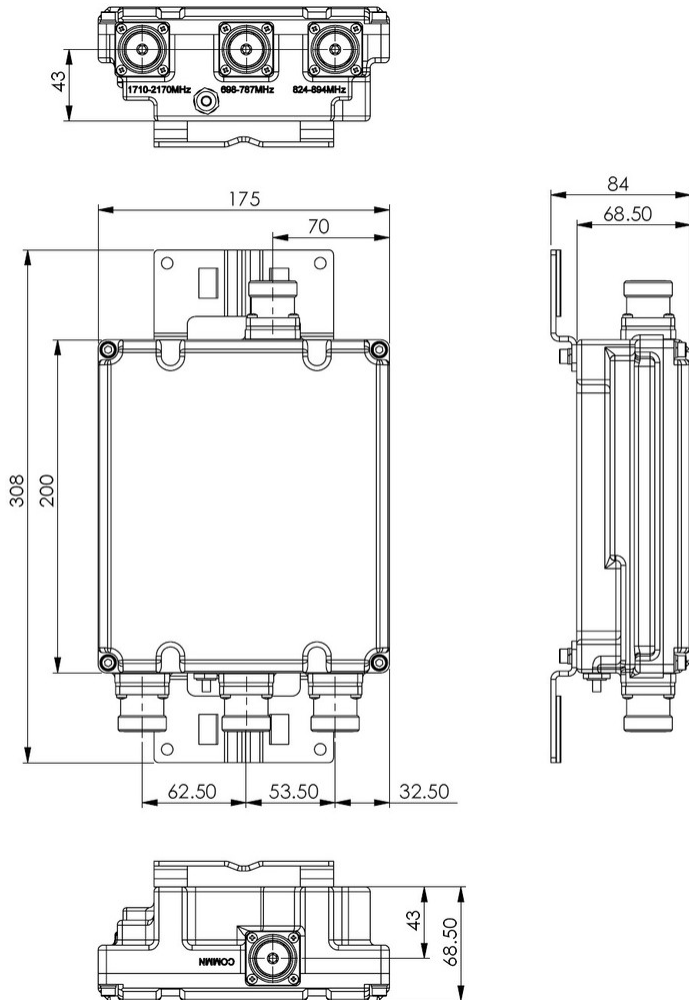
Product Family CBC7821
Color Gray
Common Port Label COMMON
Modularity 1-Single
Mounting Frame | Pole | Rack | Rod | Wall
Mounting Pipe Hardware Band clamps (2)
RF Connector Interface 7-16 DIN Female
RF Connector Interface Body Style Medium neck

Dimensions

Height 200 mm | 7.874 in
Width 175 mm | 6.89 in
Depth 70 mm | 2.756 in
Ground Screw Diameter 6.35 mm | 0.25 in
Mounting Pipe Diameter Range 40–160 mm

CBC7821-DF | E11F05P04

Outline Drawing



Electrical Specifications

Impedance

50 ohm

License Band, Band Pass

AWS 1700 | CEL 850 | DCS 1800 | IMT 2100 | PCS 1900 | USA 700 | USA 750

Electrical Specifications, Common Port

Composite Power, RMS

500 W

Electrical Specifications, dc Power/Alarm

dc/AISG Pass-through, combiner

Branch 1 | Branch 2 | Branch 3

dc/AISG Pass-through, demultiplexer

Branch 1 | Branch 2 | Branch 3

CBC7821-DF | E11F05P04

| | |
|---|---------------|
| Lightning Surge Current | 10 kA |
| Lightning Surge Current Waveform | 8/20 waveform |

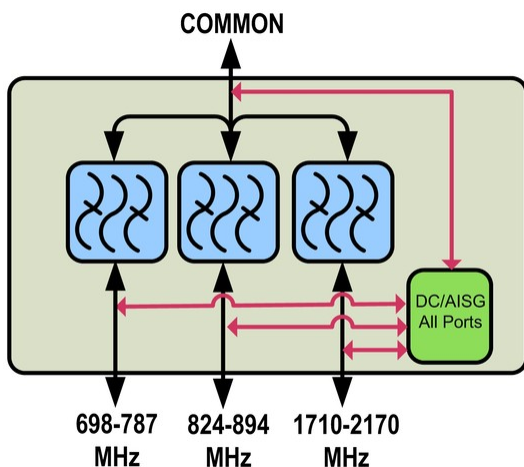
Electrical Specifications

| | | | |
|-------------------------|--|--------------------|--|
| Sub-module | 1 | 1 | 1 |
| Branch | 1 | 2 | 3 |
| Port Designation | 698–787 | 824–894 | 1710–2170 |
| License Band | USA 700, Band Pass USA 750, Band Pass | CEL 850, Band Pass | AWS 1700, Band Pass DCS 1800, Band Pass IMT 2100, Band Pass PCS 1900, Band Pass |

Electrical Specifications, Band Pass

| Frequency Range, MHz | 698–787 | 824–894 | 1710–2170 |
|---------------------------------------|-------------------|-------------------|-------------------|
| Insertion Loss, typical, dB | 0.2 | 0.2 | 0.15 |
| Total Group Delay, maximum, ns | 30 | 30 | 6 |
| Return Loss, minimum, dB | 22 | 22 | 22 |
| Return Loss, typical, dB | 24 | 24 | 24 |
| Isolation, minimum, dB | 50 | 50 | 50 |
| Input Power, RMS, maximum, W | 200 | 200 | 200 |
| Input Power, PEP, maximum, W | 2000 | 2000 | 2000 |
| 3rd Order PIM, typical, dBc | -153 | -153 | -153 |
| 3rd Order PIM Test Method | 2 x 20 W CW tones | 2 x 20 W CW tones | 2 x 20 W CW tones |

Block Diagram



CBC7821-DF | E11F05P04

Environmental Specifications

| | |
|---------------------------------------|--------------------------------------|
| Operating Temperature | -40 °C to +65 °C (-40 °F to +149 °F) |
| Relative Humidity | 5%–100% |
| Ingress Protection Test Method | IEC 60529:2001, IP67 |

Packaging and Weights

| | |
|--|-------------------|
| Included | Mounting hardware |
| Volume | 2.4 L |
| Weight, without mounting hardware | 3.5 kg 7.716 lb |

Regulatory Compliance/Certifications

| Agency | Classification |
|---------------|--|
| ISO 9001:2015 | Designed, manufactured and/or distributed under this quality management system |

