

Twin Triplexer 700 and 750/Cellular/AWS and PCS, dc bypass on AWS and PCS ports

OBSOLETE

This product was discontinued on: October 31, 2018

Replaced By:

CBC7823T-DS-43
E14F60P04

Twin Triplexer 700/850/1695-2360,dc Sense, 4.3-10

Product Classification

Product Type Triplexer

General Specifications

Product Family CBC7821

Color Gray

Common Port Label COMMON

Modularity 2-Twin

Mounting Pole | Wall

Mounting Pipe Hardware Band clamps (2)

RF Connector Interface 7-16 DIN Female

RF Connector Interface Body Style Medium neck

Dimensions

Height 200 mm | 7.874 in

Width 185 mm | 7.283 in

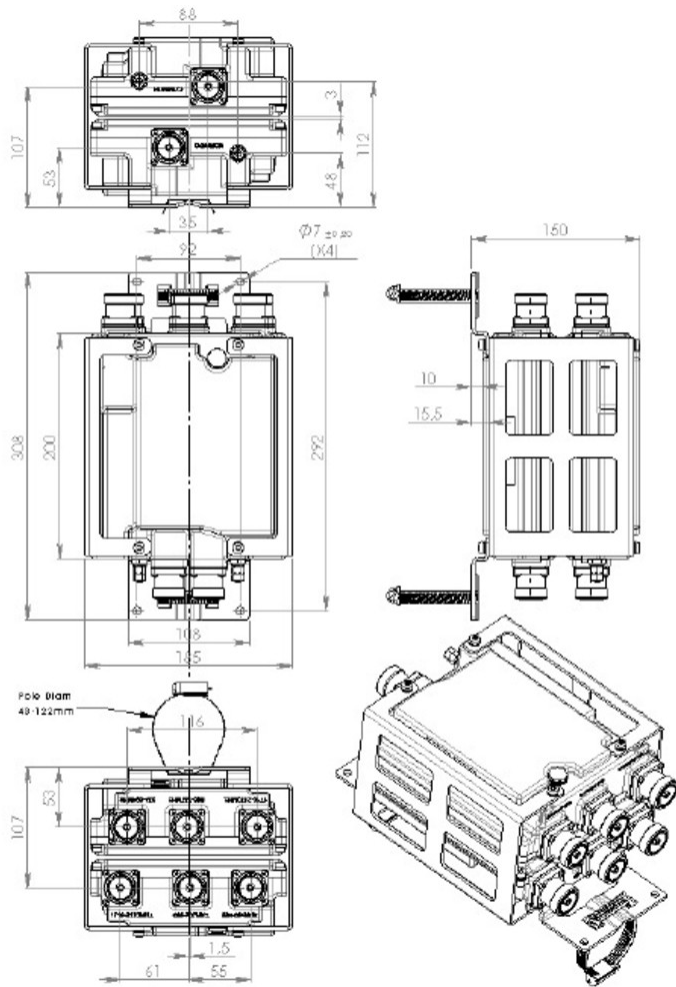
Depth 140 mm | 5.512 in

Ground Screw Diameter 6.35 mm | 0.25 in

Mounting Pipe Diameter Range 40–160 mm

Outline Drawing

CBC7821-78DCB-2X | E11F05P11



Electrical Specifications

Impedance	50 ohm
License Band, Band Pass	AWS 1700 CEL 850 DCS 1800 IMT 2100 PCS 1900 USA 700 USA 750

Electrical Specifications, Common Port

Composite Power, RMS	500 W
-----------------------------	-------

Electrical Specifications, dc Power/Alarm

dc/AISG Pass-through, combiner	Branch 3
dc/AISG Pass-through, demultiplexer	Branch 3
Lightning Surge Current	10 kA
Lightning Surge Current Waveform	8/20 waveform

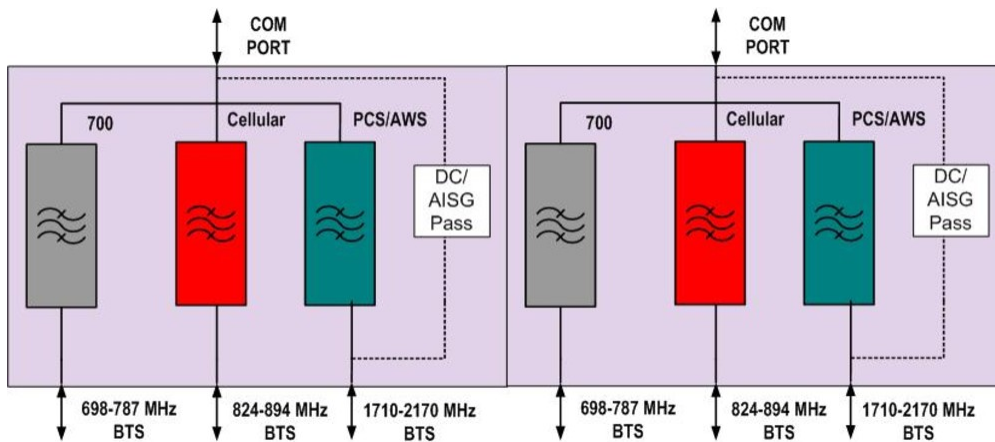
Electrical Specifications

Sub-module	1 2	1 2	1 2
Branch	1	2	3
Port Designation	698-787	824-894	1710-2170
License Band	USA 700, Band Pass USA 750, Band Pass	CEL 850, Band Pass	AWS 1700, Band Pass DCS 1800, Band Pass IMT 2100, Band Pass PCS 1900, Band Pass

Electrical Specifications, Band Pass

Frequency Range, MHz	698-787	824-894	1710-2170
Insertion Loss, typical, dB	0.2	0.2	0.15
Total Group Delay, maximum, ns	30	30	6
Return Loss, minimum, dB	22	22	22
Return Loss, typical, dB	24	24	24
Isolation, minimum, dB	50	50	50
3rd Order PIM, typical, dBc	-150	-150	-150
3rd Order PIM Test Method	2 x 20 W CW tones	2 x 20 W CW tones	2 x 20 W CW tones

Block Diagram



Environmental Specifications

Operating Temperature	-40 °C to +65 °C (-40 °F to +149 °F)
Relative Humidity	5%–100%
Ingress Protection Test Method	IEC 60529:2001, IP67

Packaging and Weights

Included	Mounting hardware
Volume	5.2 L
Weight, net	7 kg 15.432 lb

Regulatory Compliance/Certifications

Agency	Classification
ISO 9001:2015	Designed, manufactured and/or distributed under this quality management system

