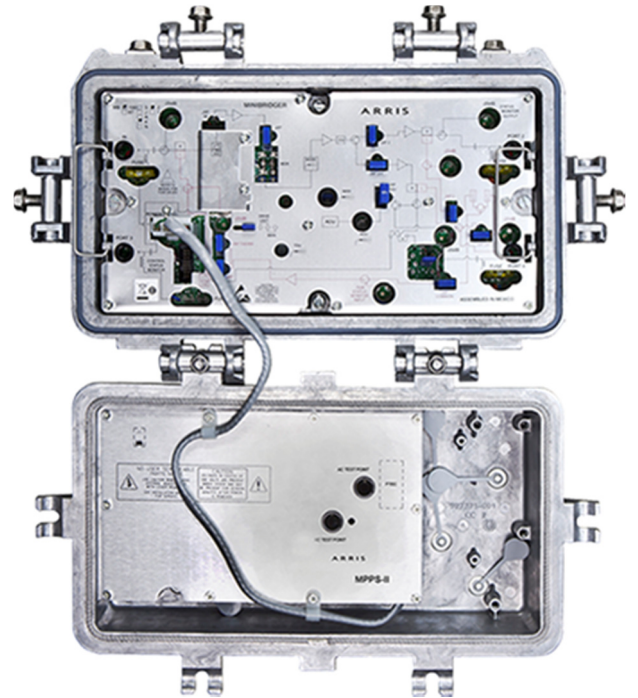


# STARLINE Series

## MB100 1 GHz Amplifier

### FEATURES

- Simplify plant upgrades with modular RF design and 1.2 GHz capable housing
- Improve amplifier reach with optional GaN technology and increased station tilt
- Maintain current amplifier spacing with high output GaAs technology
- Expand return path bandwidth with plug-in diplex filter support to 85 MHz
- Minimize RF drift over temperature with optional analog or QAM ADU



### PRODUCT OVERVIEW

For cable operators looking to ensure maximum backwards compatibility and scalability and protect network investments, ARRIS offers solutions that deliver new services with minimal CAPEX, enhance network efficiency, and increase subscriber satisfaction.

The ARRIS 1 GHz MB100 Amplifier enables cable operators to increase forward capacity while maintaining current amplifier spacing of existing 750 and 870 MHz systems. The MB100 is available as a complete unit for greenfield deployments or as a drop-in RF module for 1 GHz upgrades to legacy STARLINE MB75 and MB87 amplifiers.

### Forward Path

The standard MB100 configuration is equipped with second-generation Enhanced Gallium Arsenide (E-GaAs) technology with two driven RF outputs, which provides superior distortion performance over standard silicon and competing GaAs technologies. If operators require longer reach, the MB100 can be configured with optional Gallium Nitride (GaN) hybrid technology, which allows for a 3 dB increase in output level over the standard GaAs option.

To provide additional system flexibility, easy installation and maintenance, the MB100 is compatible with standard accessories such as attenuators, equalizers, ADUs or QADUs, automotive fuses, and FTEC crowbar circuits. The amplifier maintains output level via an optional plug-in drive unit. In addition, operators can control level manually, thermally with the TDU (thermal drive unit) accessory, or electronically with the automatic drive unit (ADU). The ADU can support either analog or QAM pilot channels.

The MB100 uses modular diplex filters, which operators can change to increase return bandwidth. The following filters are available for use with all US-style STARLINE RF distribution amplifiers (models BLE, MB/MBV3, BT):

- K-split (5 to 42 MHz/54 to 1003 MHz)
- A-split (5 to 65 MHz/85 to 1003 MHz)
- N-split (5 to 85 MHz/104 to 1003 MHz)

### Return Path

The MB100 comes standard with a high-gain return amplifier. Operators can select SRE return path equalizers ranging from 0 to 12 dB.

### Backward Compatibility

Operators can make the MB100 electronics package backward compatible with the 10-Amp MB\*/\* housing by installing the MB-15All Kit. These kits contain 50 mil gold plated platform assemblies, which make it possible for the amplifier to carry 15 Amperes continuous through its input or output ports.

## COMPATIBILITY

Platform	MB-550	MB-750D	MB-750SH	MB86	MB87
Upgrade to MB100	No	No	Yes*	Yes*	Yes

\* Requires MB-15All Kit

## RELATED PRODUCTS

ADU/QADU	MBV3
BLE100	BT100
SFE/SRE EQ	Installation Services
Flex Max® RF Amplifiers	

## Specifications – E-GaAs

Specifications	Units	Forward	Return
Frequency split <sup>1</sup>	MHz	K (54 – 1003) A (85 – 1003) N (104 – 1003) <sup>19</sup>	K (5 – 42) A (5 – 65) N (5 – 85)
Flatness <sup>2,19</sup>	dB	± 0.75	± 0.5
Minimum Full Gain <sup>3</sup>	dB	46	20
Operation Gain <sup>4</sup>	dB	42	NA
Manual Bode Slope Control Range <sup>5</sup>	dB	± 4	NA
Noise Figure <sup>6</sup>	dB	9	8
Standard Slope Reference Frequency	MHz	1003/550/54	35 (flat)
Reference Output Level	dBmV	51/44/37	—
Operating Interstage Slope <sup>7</sup>	dB	14 ± 1	NA
Standard Slope Distortion			
Channels, Number of NTSC <sup>17</sup>		79	6
Composite Triple Beat (CTB) <sup>8,16</sup>	dBc	76.5	80
Cross Modulation (XM) <sup>9,16</sup>	dBc	68.5	70
Composite Second Order (CSO) <sup>8,10,16</sup>	dBc	71	81
Carrier to Intermodulation Noise (CIN) <sup>21</sup>	dB	65	—
Channels, Number of 256 QAM		154	—
Carrier to Intermodulation Noise (CIN) <sup>20,21</sup>	dB	65	—
Test Point <sup>11</sup>	dB	20 (± 1.0 dB)	20 (± 1.0 dB)
Return Loss <sup>12</sup>	dB	14.5	15
Hum Modulation @ 12A	dBc	< 60	< 60
Hum Modulation @ 15A <sup>12</sup>	dBc	< 60	< 65
DC Voltage	VDC	24	
Current DC Max. <sup>13</sup>	mA	1600	
Power Consumption Max.	W	52	
AC Input Voltage Range	VAC	38–90	
AC Current Draw Max. @ 90 VAC @ 60 VAC @ 38 VAC	A	0.58 0.92 1.45	
AC Bypass Current (all ports) <sup>14</sup>	A	15	
Group Delay <sup>15</sup> K-split 55.25 to 58.83 MHz	nSec	52	NA
Group Delay <sup>15</sup> A-split 86.25 to 90.68 MHz	nSec	28	NA
Group Delay <sup>19</sup> N-split 109.25 to 112.83 MHz 112.25 to 116.68 MHz	nSec nSec	14 9	NA NA
Operating Temperature Range	°C °F	–40 to +60 –40 to +140	
Housing Dimensions, L x W x D	Inches Mm	15.4 x 9.6 x 5.5 292 x 244 x 140	
Weight	lb Kg	15 6.8	

## Specifications – E-GaN

Specifications	Units	Forward	Return
Frequency split <sup>1</sup>	MHz	K (54 –1003) A (85 –1003) N (104 –1003) <sup>19</sup>	K (5 –42) A (5 – 65) N (5 – 85)
Flatness <sup>2,19</sup>	dB	± 0.75	± 0.5
Minimum Full Gain <sup>3</sup>	dB	46	NA
Operation Gain <sup>4</sup>	dB	42	20
Manual Bode Slope Control Range <sup>5</sup>	dB	± 4	NA
Noise Figure <sup>6</sup>	dB	9	8
Ultra Slope Reference Frequency <sup>7</sup>	MHz	1003/550/54	35 (flat)
Reference Output Level	dBmV	57/48/39	—
Operating Interstage Slope	dB	18 ± 1	NA
Ultra Slope Distortion			
Channels, Number of NTSC <sup>17</sup>		79	6
Composite Triple Beat (CTB) <sup>8,16</sup>	dBc	70	80
Cross Modulation (XM) <sup>9,16</sup>	dBc	62	70
Composite Second Order (CSO) <sup>8,10,16</sup>	dBc	69	81
Carrier to Intermodulation Noise (CIN) <sup>21</sup>	dB	58	—
Channels, Number of 256 QAM		154	—
Carrier to Intermodulation Noise (CIN) <sup>20,21</sup>	dB	58	—
Standard Slope Reference Frequency <sup>7</sup>	MHz	1003/550/54	35 (flat)
Reference Output Level	dBmV	51/44/37	—
Operating Interstage Slope <sup>6</sup>	dB	14 ± 1	NA
Standard Slope Distortion			
Channels, Number of NTSC <sup>17</sup>		79	6
Composite Triple Beat (CTB) <sup>8,16</sup>	dBc	75	80
Cross Modulation (XM) <sup>9,16</sup>	dBc	66	70
Composite Second Order (CSO) <sup>8,10,16</sup>	dBc	71	81
Carrier to Intermodulation Noise (CIN) <sup>21</sup>	dB	66	—
Channels, Number of 256 QAM		154	—
Carrier to Intermodulation Noise (CIN) <sup>20,21</sup>	dB	66	—
Test Point <sup>11</sup>	dB	20 (± 1.0 dB)	20 (± 1.0 dB)
Return Loss <sup>12</sup>	dB	14.5	15
Hum Modulation @ 12A	dBc	< 60	< 60
Hum Modulation @ 15A <sup>18</sup>	dBc	< 60	< 65
DC Voltage	VDC		24
Current DC Max. <sup>13</sup>	mA		1600
Power Consumption Max.	W		52
AC Input Voltage Range	VAC		38–90

Specifications – E-GaN (continued)

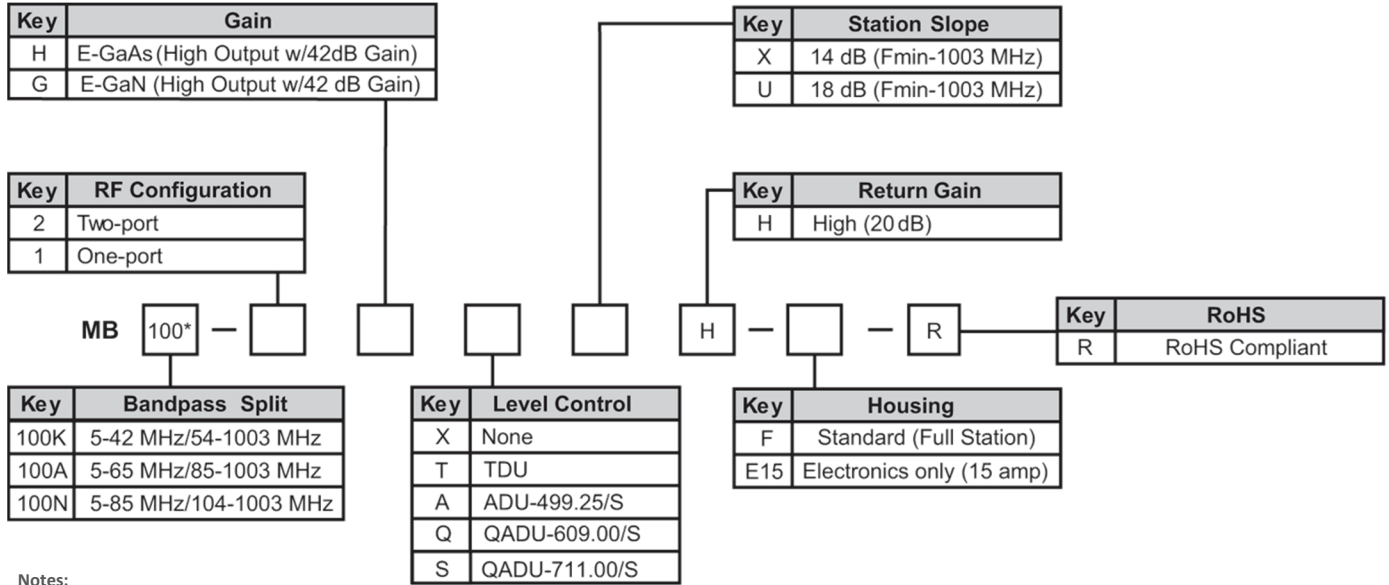
Specifications	Units	Forward	Return
AC Current Draw Max. @ 90 VAC @ 60 VAC @ 38 VAC	A		0.58 0.92 1.45
AC Bypass Current (all ports) <sup>14</sup>	A		15
Group Delay <sup>15</sup> K-split 55.25 to 58.83 MHz	nSec	52	NA
Group Delay <sup>15</sup> A-split 86.25 to 90.68 MHz	nSec	28	NA
Group Delay <sup>19</sup> N-split 109.25 to 112.83 MHz 112.25 to 116.68 MHz	nSec nSec	14 12	NA NA
Operating temperature range	°C °F		-40 to +60 -40 to +140
Housing dimensions, L x W x D	inches mm		15.4 x 9.6 x 5.5 292 x 244 x 140
Weight	lb kg		15 6.8

Notes:

1. Operating passband of station. Diplex filters are plugged into the electronic chassis.
2. Referenced to the average gain across the passband.
3. Minimum full gain at 1003 MHz includes loss of equalizer but Bode slope reserves have not been set. Return gain includes loss of SRE\*-4 return equalizer. Measured at Fmax return.
4. Includes loss of gain reserves as well as equalizer.
5. From midpoint (typical setting is -4 dB at 1003 MHz @ 25 °C). This control should not be used for gain reduction.
6. Specified at the housing cable entry facility over temperature and includes the loss of 1 dB for the pre-stage equalizer. The return noise figure includes the station loss preceding the RF hybrid.
7. Amount of slope created and cable equivalence of fixed, plug-in interstage equalizer.
8. Measured with CW carriers and spectrum analyzer over specified temperature range. References the worst-case channel.\*
9. Measured with wave analyzer and synchronous, 100% depth modulated channels. References the worst-case channels over specified temperature range.\*
10. Refers only to beat clusters that fall 0.75 MHz and 1.25 MHz above the subject picture carrier.
11. Test points should be used with GFAL adapter.
12. Match measurement at the station input and output, cable- entry facilities, at the specified passband for operational gain.
13. Current draw at 24 VDC.
14. Stated in RMS continuous.
15. Specified for standard NTSC video, where delay is the delta from picture carrier to 3.58 MHz color subcarrier. Reverse delay is in a 1.5 MHz bandwidth.
16. Worst-case over temperature in a cascade.
17. NTSC 79 Channel forward, 75 QAM carriers -6dB relative to analog CW carriers. 6 Channel return.
18. Specification is 55 from 5 to 10MHz at 15A.
19. For N-split (5-85/104 - 1003MHz) roll-off from 105 MHz to 102 MHz < 1.0 dB. Group delay from 103.25 MHz to 105.25 MHz is < 22 ns.
20. 154 QAM carriers 54-1002 MHz. Carriers are -6dB relative to virtual analog levels.
21. Room temperature performance.

\* Specifications are compliant with the test methods as stated in NCTA Recommended Practices for Measurements on Cable Television

# 1 GHz MB Ordering Guide



**Notes:**

1. Not all combinations in the ordering guide are available. This is a guide only.
2. FTECs are included in all models as standard.

## Required Accessories

Part Number	Model	Description
535723-001-00	SFE-100-0	Forward 1003 MHz equalizer (0 dB) -or-
531124-001 to -022	SFE-100-1 to -22	Forward 1003 MHz equalizer (values 1 to 22 dB 1n 1 dB steps) -or-
531161-001 to -010	SCS-1 to SCS-10	Cable simulator (values 1 to 10 dB in 1 dB steps)
531163-XXX-00	SRE-*-*	Return equalizer, 5-42 MHz (K-split), 5-65 (A-split), 5-85 (N-split), values 0 to 12 dB 1n 2 dB steps
531186-XXX-00	JXP-*B	Plug-in attenuator/pad (values 0 to 26 dB in 1 dB steps)

## Optional Accessories

Part Number	Model	Description
531230-001-00	SP100	Splitter (1 GHz) to activate third output -or-
531230-002-00	DC100/8	Directional coupler (1 GHz) to activate third output (8 dB)
531230-003-00	DC100/10	Directional coupler (1 GHz) to activate third output (10 dB)
531230-004-00	DC100/12	Directional coupler (1 GHz) to activate third output (12 dB)
594742-002-00	QADU-609.00/S-R	609 MHz QAM Automatic Drive Unit
594742-001-00	QADU-711.00/S-R	711 MHz QAM Automatic Drive Unit
531236-003-00	ADU-499.25/S-R	499.25 MHz Automatic Drive Unit
531344-002-00	MB-15AII-KIT	15 Amp kit to upgrade 10 Amp platforms

**Note:** Specifications are subject to change without notice.

## Customer Care

Contact Customer Care for product information and sales:

- United States: 866-36-ARRIS
- International: +1-678-473-5656

**Copyright Statement:** ©ARRIS Enterprises, Inc. 2015 All rights reserved. No part of this publication may be reproduced in any form or by any means or used to make any derivative work (such as translation, transformation, or adaptation) without written permission from ARRIS Enterprises, Inc. ("ARRIS"). ARRIS reserves the right to revise this publication and to make changes in content from time to time without obligation on the part of ARRIS to provide notification of such revision or change. ARRIS and the ARRIS logo are all registered trademarks of ARRIS Enterprises, Inc. Other trademarks and trade names may be used in this document to refer to either the entities claiming the marks and the names of their products. ARRIS disclaims proprietary interest in the marks and names of others. The capabilities, system requirements and/or compatibility with third-party products described herein are subject to change without notice.