

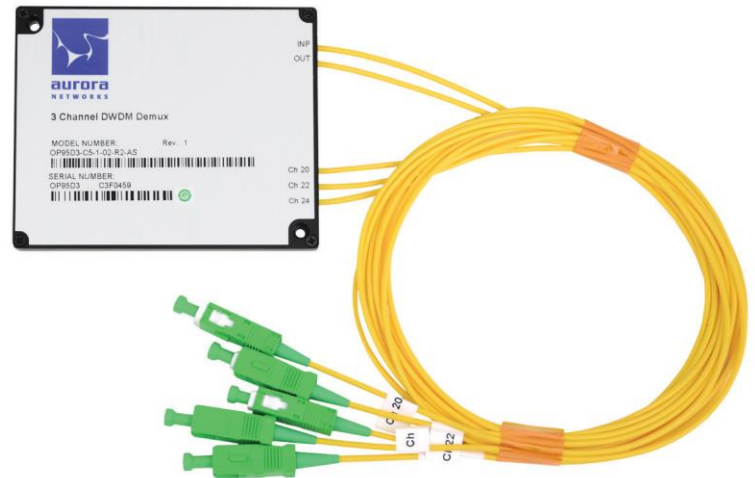
Optical Passives (OSP)

OP95D3-Cx

DWDM Demux Field Passives (3 Channels on ITU Grid)

FEATURES

- 3-channel optical demux modules in field hardened enclosures
- Includes cascade port for daisy-chaining of multiple modules
- Groups of channels specifically selected for use with AT3545G series Full Spectrum DWDM Transmitters
- Flat-top passband
- High optical isolation
- Mux and demux pairs optimized for minimum combined insertion loss across all channels
- Options available for fiber and connector types
- Epoxy-free on optical path

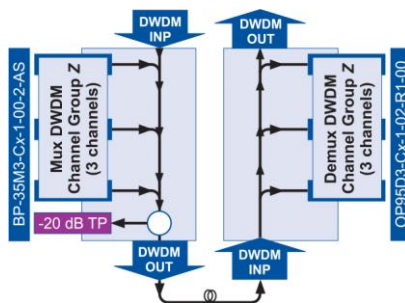


PRODUCT OVERVIEW

ARRIS's OP95D3-Cx series 3-channel DWDM demultiplexers facilitate DWDM architectures. DWDM technology can dramatically increase network capacity without requiring additional fiber be deployed for super-trunking or narrowcasting applications.

ARRIS supports DWDM architectures with a variety of products having center frequency spacing on the standard DWDM ITU Grid (ITU-T G.694.1) for 40 channels from Channel 20 to Channel 59. This particular group of 3-channel demux products are intended for use with ARRIS's AT3545G-xx-1-AS and AT3545G-xx-2-AS Full Spectrum DWDM Transmitters and are available with four different combinations of three DWDM channels each.

These ruggedized modules have been designed for use in an outdoor environment with a temperature range of -40° to $+85^{\circ}\text{C}$.



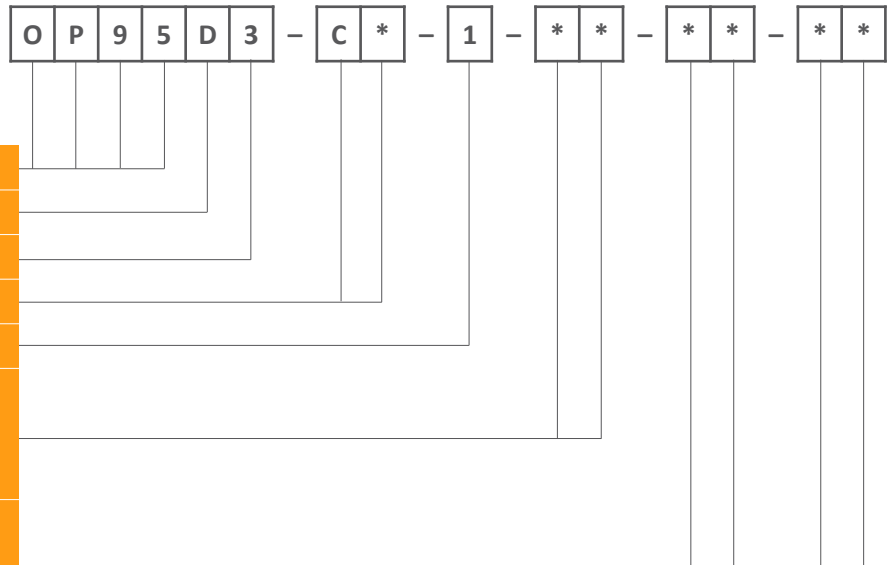
SPECIFICATIONS

Characteristics	Specification
Physical	
Dimensions	3.78" L x 3.07" W x 0.31" H (9.6 cm x 7.8 cm x 0.8 cm)
Weight	1.0 lb (0.45 kg)
Environmental	
Operating Temperature Range	-40°C to $+85^{\circ}\text{C}$ (-40°F to $+185^{\circ}\text{F}$)
Storage Temperature Range	-40°C to $+85^{\circ}\text{C}$ (-40°F to $+185^{\circ}\text{F}$)
Humidity	5% to 95% non-condensing
Optical (all models)	
Return loss, min	45 dB
Polarization dependent loss, max	0.2 dB (< 0.1 dB typ)
Insertion losses, max ¹	
DWDM INP to DWDM OUT	0.9 dB
DWDM INP to Ch. yy OUT	1.3 dB
Paired insertion loss ²	2.0 dB
Uniformity, max ¹	
Module	0.5 dB
Paired	0.4 dB
Passband @ 0.5 dB, min	
Ch. yy INP to DWDM OUT	± 0.12 nm
DWDM INP to DWDM OUT	See Note 3
Isolation, adjacent channel, min	30 dB
Isolation, non-adjacent channel, min	50 dB
Power handling, any input port, max	24.8 dBm
Optical Interface	
Optical connectors	See Ordering Information for available options
Model OP95D3-Cx-1-zz-zz-zz (for x = 1, 2, 3 or 4)	<ul style="list-style-type: none"> • Ch. yy (3 channel drop outputs for Custom Channel Group x) • DWDM INP (input from fiber network or previous demux) • DWDM OUT (output to next demux in a cascade)
ITU Channel Plans	
ARRIS supports DWDM network architectures with a variety of products on the standard DWDM ITU Grid (ITU-T G.694.1).	
OP95D3-Cx-1-zz-zz-zz 3-channel Optical Demux Modules (for which outputs can be cascaded from one module to another) are available for the following custom channel groups	<ul style="list-style-type: none"> • C5 Chs 20, 22, and 24 • C6 Chs 27, 30, and 38 • C7 Chs 42, 44, and 51 • C8 Chs 54, 57, and 59

NOTES:

¹ Including connectors;
² Paired insertion loss when combined with 3-ch mux module from Ch. yy INP to Ch. yy OUT;
³ Passes 1420-1620 nm with a notch at the channel add/drop band and WDL within ± 0.15 dB.

ORDERING INFORMATION



- DWDM Optical Field Passive**
- D = Demux**
- 3-channel Module**
- C* = Custom DWDM ITU Channel Group Key (* = 5, 6, 7 or 8)**
- (Reserved Field)**
- ** = Filter Option:**
 01 = Use with AT3545G-xx-1-AS Transmitter and BP-35M3-Cx-1-00-1-AS Back Plate
 02 = Use with AT3545G-xx-2-AS Transmitter and BP-35M3-Cx-1-00-2-AS Back Plate
- **.** = Package, Fiber Jacket Options and Connectorized Options:**
 R1-00 = 1.5 m pigtail of 900 µm clad fiber in 95x78x8 mm Ruggedized Package with no connectors
 R2-AS = 1 m pigtails of 2 mm fiber in 95x78x8 mm Ruggedized Package with SC/APC connectors

RELATED PRODUCTS

Optical Transmitters	Optical Passives
Digital Return	Optical Patch Cords
Optical Nodes	Installation Services

Customer Care

Contact Customer Care for product information and sales:

- United States: 866-36-ARRIS
- International: +1-678-473-5656

Note: Specifications are subject to change without notice.

Copyright Statement: ©ARRIS Enterprises, LLC, 2016. All rights reserved. No part of this publication may be reproduced in any form or by any means or used to make any derivative work (such as translation, transformation, or adaptation) without written permission from ARRIS Enterprises, LLC ("ARRIS"). ARRIS reserves the right to revise this publication and to make changes in content from time to time without obligation on the part of ARRIS to provide notification of such revision or change. ARRIS and the ARRIS logo are registered trademarks of ARRIS Enterprises, LLC. Other trademarks and trade names may be used in this document to refer to either the entities claiming the marks or the names of their products. ARRIS disclaims proprietary interest in the marks and names of others. The capabilities, system requirements and/or compatibility with third-party products described herein are subject to change without notice.