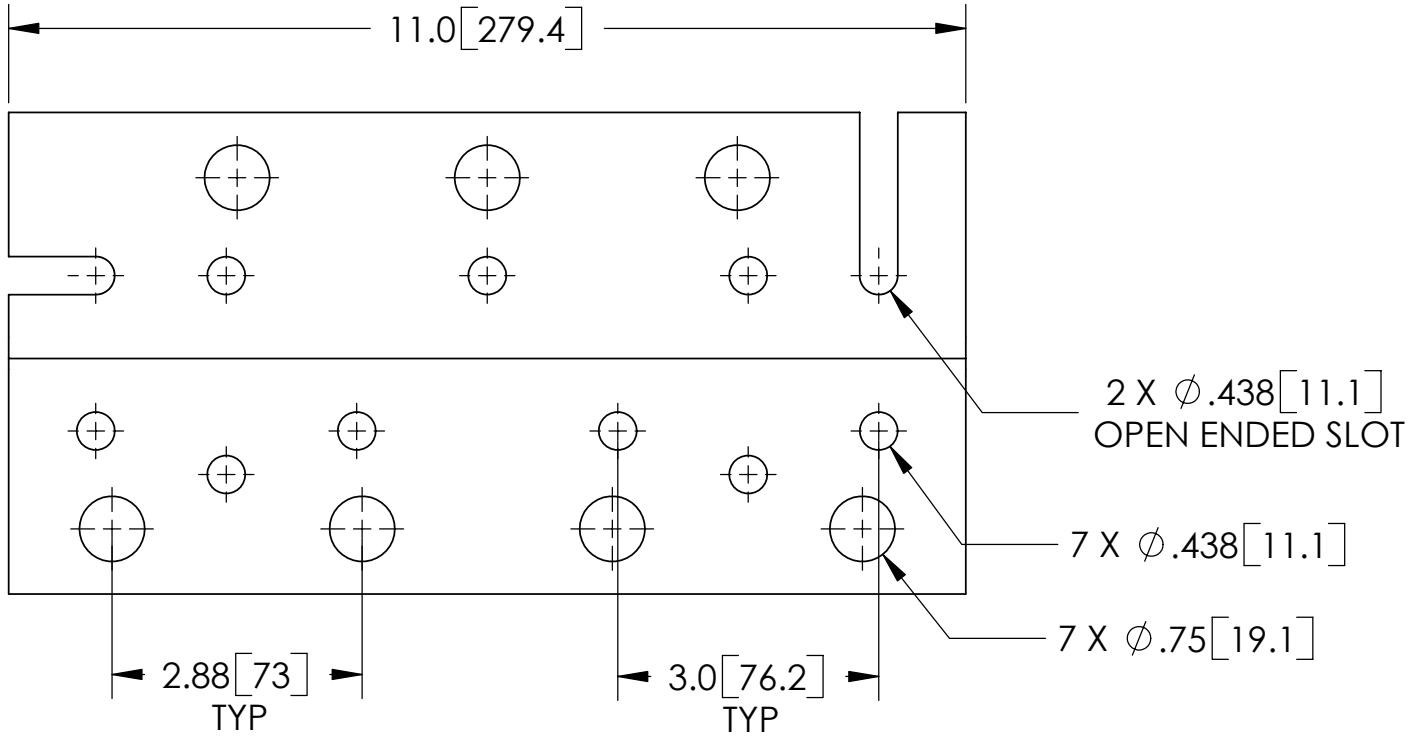
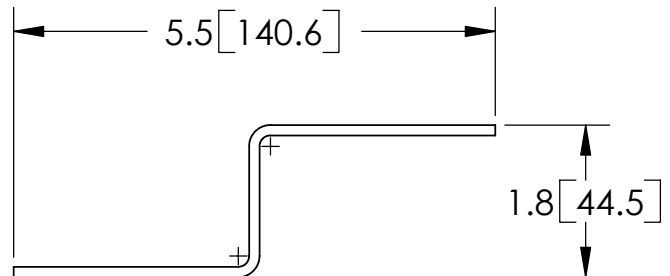
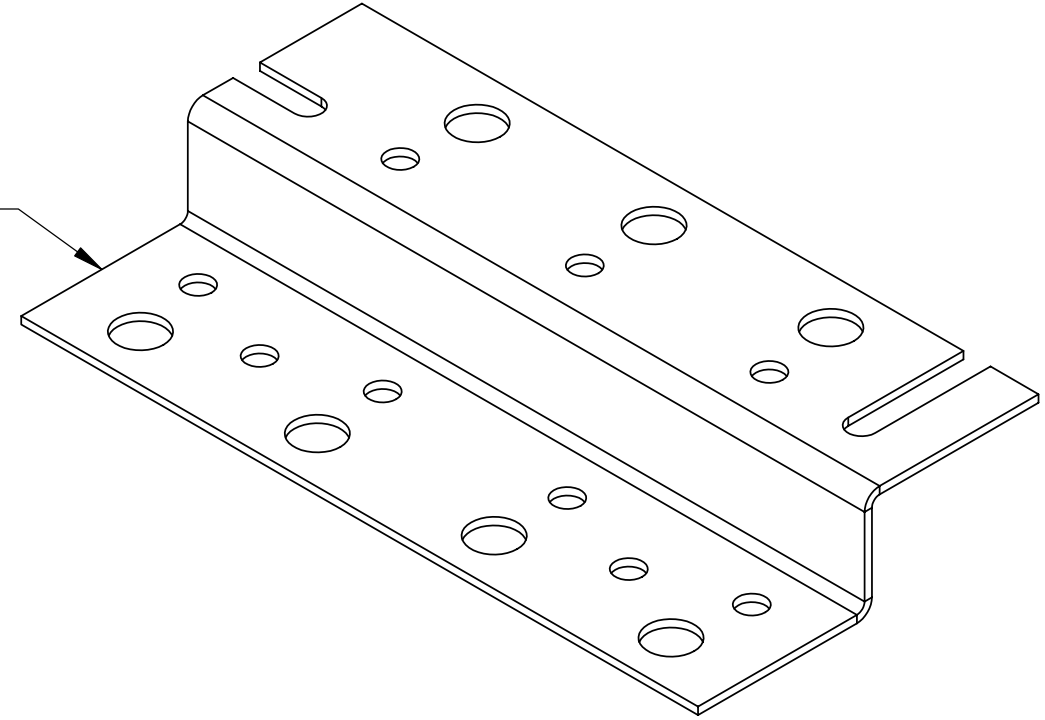


| REVISIONS |      |                                   |     |          |
|-----------|------|-----------------------------------|-----|----------|
| REV.      | ZONE | DESCRIPTION                       | BY  | DATE     |
| G         |      | ADDED SLOTS TO EASE INSTALL       | AW  | 11/11/04 |
| H         |      | MOVED SLOTTED HOLES               | AW  | 11/15/04 |
| J         |      | UPDATE MATERIAL SIZE & BEND LINES | ACG | 09/07/06 |



MAT'L: SMS 11GA



NOTES:  
1. ALL METRIC DIMENSIONS ARE IN BRACKETS.

|   |                   |                      |  |
|---|-------------------|----------------------|--|
| These drawings and specifications are the proprietary property of ANDREW CORPORATION and may be used only for the specific purpose authorized in writing by Andrew Corporation.<br><br>ALL DIMENSIONS ARE IN INCHES U.O.S.<br>TOLERANCES UNLESS OTHERWISE SPECIFIED:<br>.X = $\pm$ .06      ANGLES $\pm$ 2'<br>.XX = $\pm$ .03      FRACTIONS $\pm$ 1/32<br>.XXX = $\pm$ .010<br><br>REMOVE BURRS AND BREAK EDGES .005<br><br>DO NOT SCALE THIS PRINT | DRAWN BY:<br>ACG  | SHEET:<br>1 of 1     | PART NUMBER:<br>ZB-H4                                |
|   | CHECKED BY:<br>TP | SCALE:<br>NTS        | DESCRIPTION:<br>HORIZONTAL Z-BRACKET, 4 RUNS OF COAX |
|   | DATE:<br>09/07/06 | MATERIAL:<br>A568    | DRAWING TYPE:<br>ASSEMBLY DRAWING                    |
|   | REVISION:<br>J    | FINISH:<br>GALV A123 | WEIGHT:<br>2.40 LBS                                  |