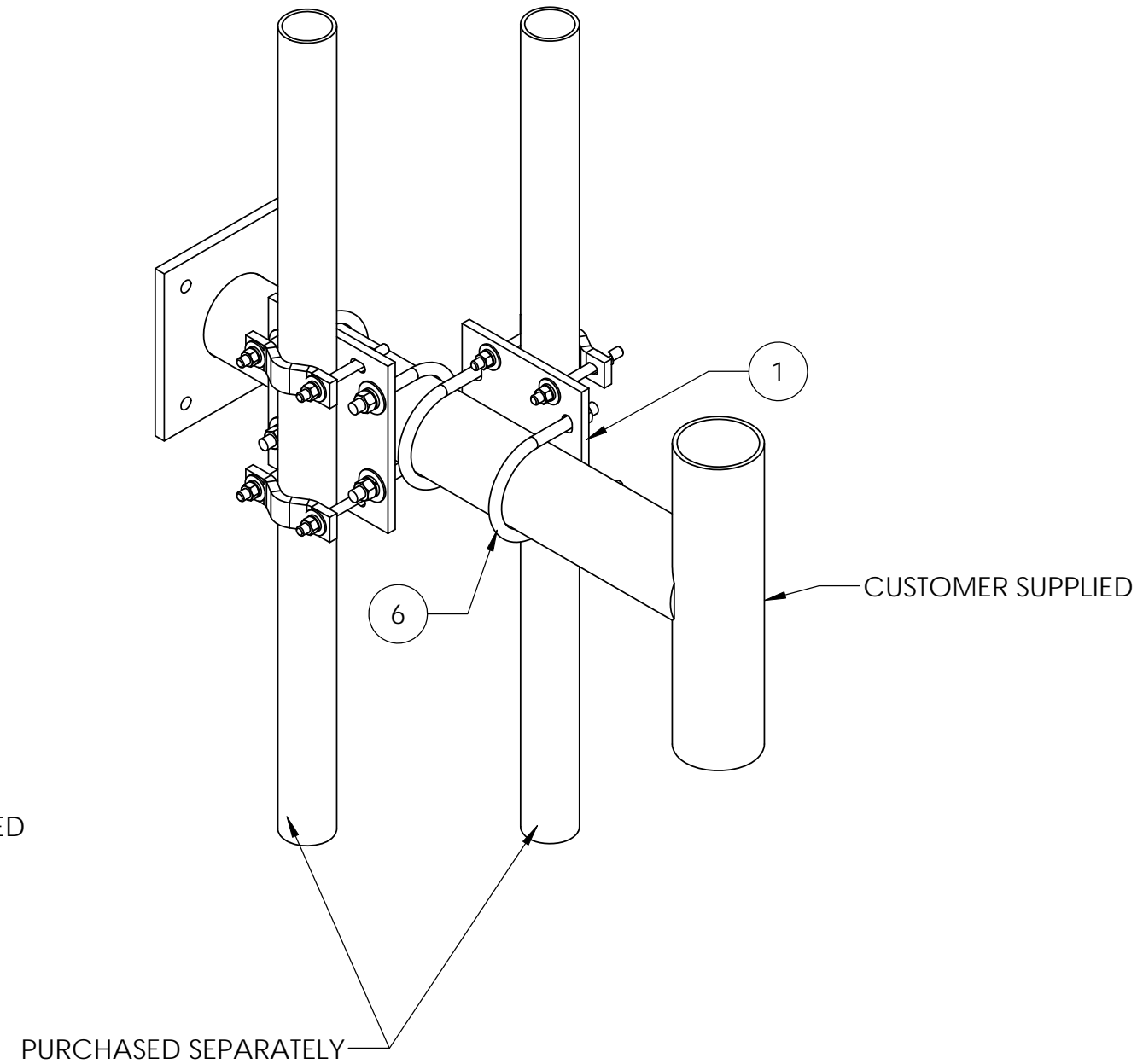
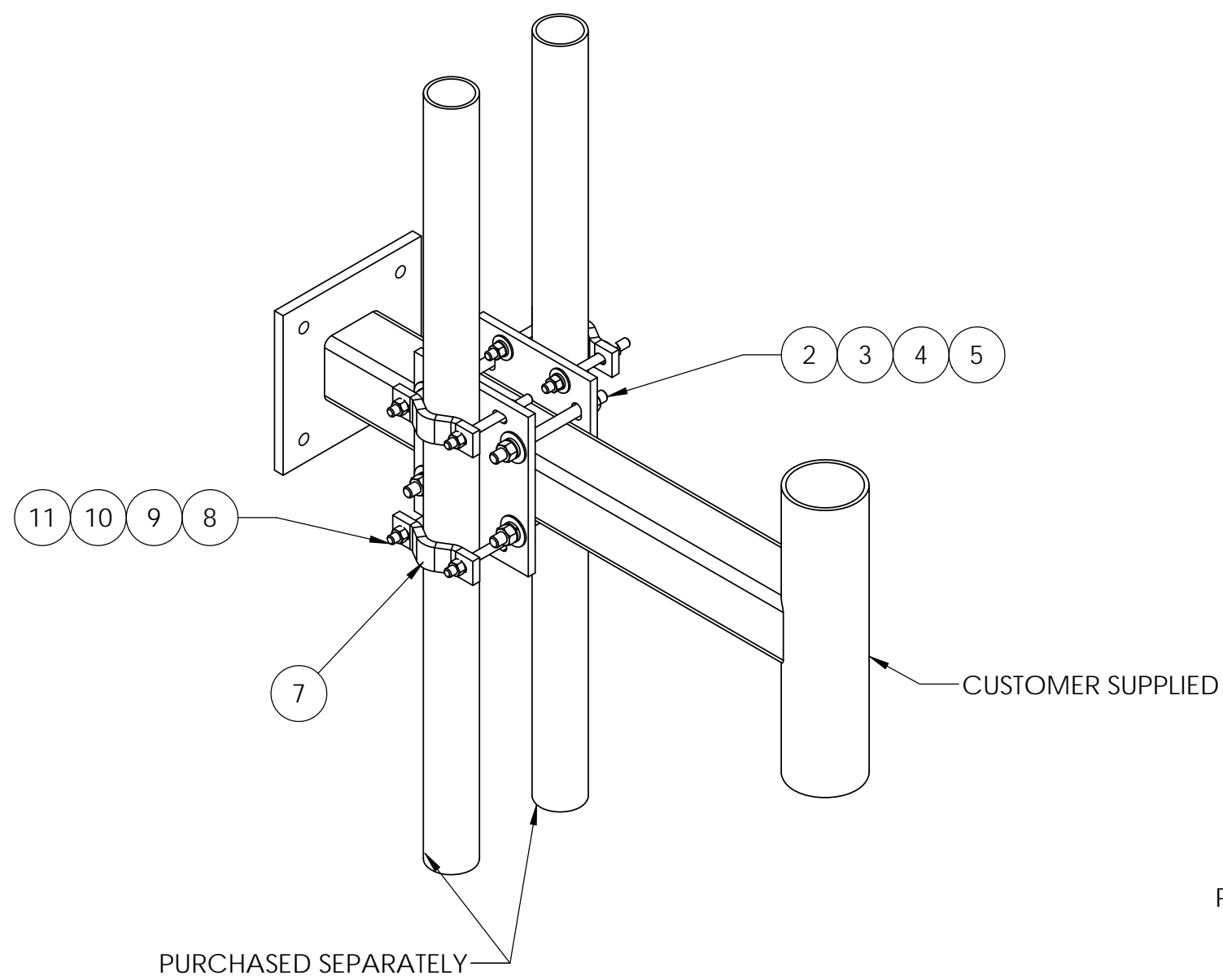


ITEM	PART NO.	DESCRIPTION	QTY.	WEIGHT
1	XP3040.01	CROSSOVER PLATE ϕ 3.5" O.D. TO ϕ 4.5" O.D.	2	11.01 LBS
2	MT-381-8	5/8" X 8" GALV THREADED ROD	4	0.69 LBS
3	GWF-05	5/8" GALV FLAT WASHER	8	0.06 LBS
4	GWL-05	5/8" GALV LOCK WASHER	8	0.09 LBS
5	GN-05	5/8" GALV HEX NUT	8	0.04 LBS
6	GUB-5456	5/8" X 4-4/8" X 6-1/2" GALV U-BOLT	4	1.88 LBS
7	SCP10	SMALL DISH CLAMP HALF	4	1.20 LBS
8	MT-379-6	1/2" X 6" GALV THREADED ROD	8	0.33 LBS
9	GWF-04	1/2" GALV FLAT WASHER	16	0.06 LBS
10	GWL-04	1/2" GALV LOCK WASHER	14	0.09 LBS
11	GN-04	1/2" GALV HEX NUT	14	0.04 LBS

REVISIONS				
REV.	ZONE	DESCRIPTION	BY	DATE
A		INITIAL RELEASE	MSM	02/02/12



NOTES:
 1. ALL METRIC DIMENSIONS ARE IN BRACKETS.

<small>These drawings and specifications are the proprietary property of ANDREW CORPORATION and may be used only for the specific purpose authorized in writing by Andrew Corporation.</small> ALL DIMENSIONS ARE IN INCHES U.O.S. TOLERANCES UNLESS OTHERWISE SPECIFIED: .X = \pm .12 ANGLES \pm 2' .XX = \pm .06 FRACTIONS \pm 1/32 .XXX = \pm .03 REMOVE BURRS AND BREAK EDGES .005 DO NOT SCALE THIS PRINT	DRAWN BY: MSM	SHEET: 1 of 1	PART NUMBER: XP-197-UD
	CHECKED BY: TP	SCALE: NTS	DESCRIPTION: RRH Standoff Universal Dual Mount
	DATE: 02/02/12	MATERIAL: A36, A500	DRAWING TYPE: ASSEMBLY DRAWING
	REVISION: A	FINISH: GALV A123	WEIGHT: 37.97 LBS

