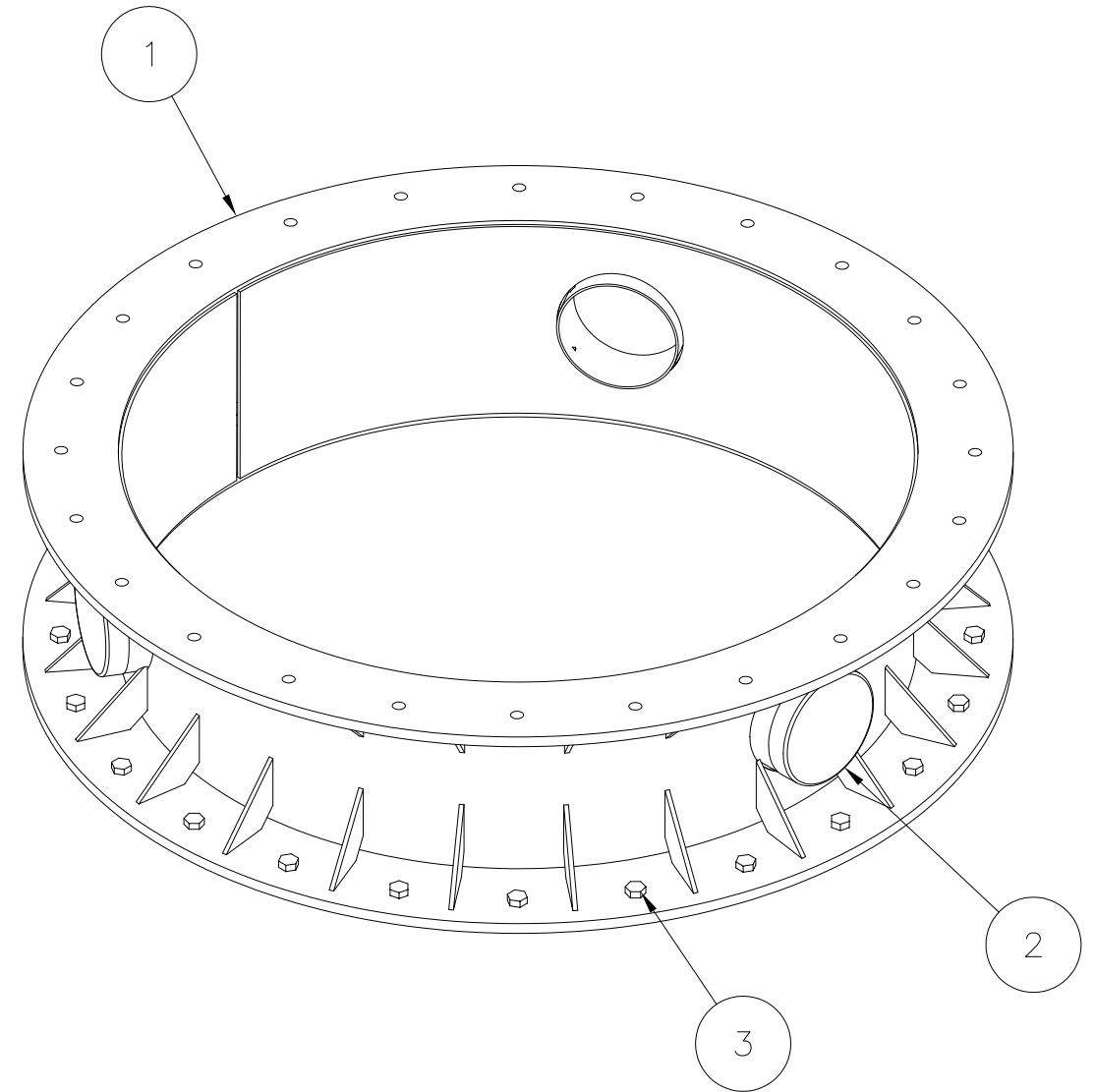
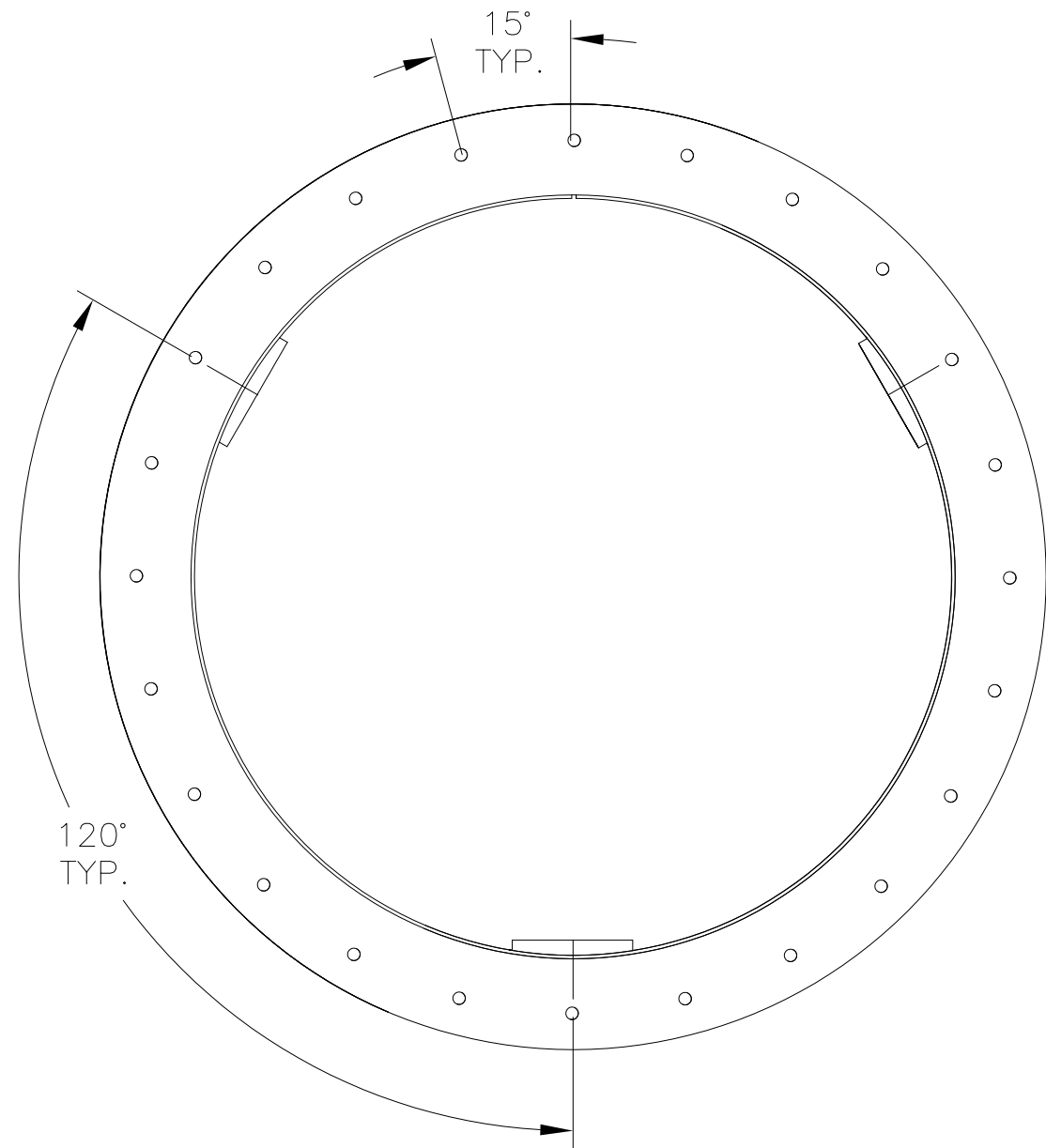
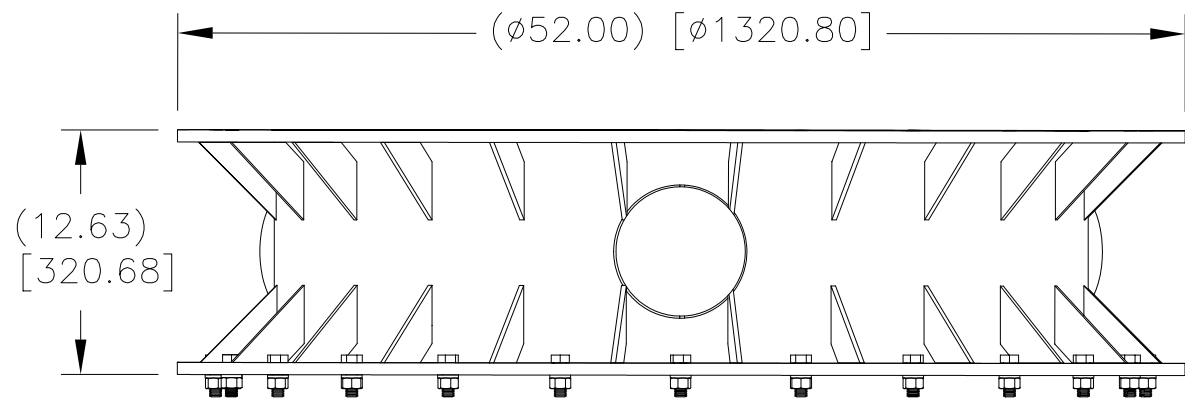



Parts List			
Item	Part No.	Description	Qty
1	WT-SPM-E1.05	POD EXTENSION WELDMENT	1
2	WT-SPM.36	ENTRY PORT CAP	3
3	GB-05165	5/8" X 1-3/4" GALV BOLT ASSY	24

REVISIONS				
REV.	ECO	DESCRIPTION	BY	DATE
A	MTW	INITIAL RELEASE	JTS	11/22/00
B	MTW	UPDATE PARTS LIST	ACG	08/13/02



NOTES:

1. ALL METRIC DIMENSIONS ARE IN BRACKETS.

These drawings and specifications are the proprietary property of ANDREW CORPORATION and may be used only for the specific purpose authorized in writing by Andrew Corporation. ALL DIMENSIONS ARE IN INCHES U.O.S. TOLERANCES UNLESS OTHERWISE SPECIFIED: .X = ±.06 ANGLES ±2° .XX = ±.03 FRACTIONS ±1/32 .XXX = ±.010 REMOVE BURRS AND BREAK EDGES .005 DO NOT SCALE THIS PRINT	DRAWN BY: JTS	DATE: 11/22/00	PART NUMBER: WT-SPM-EI
	CHECKED BY: JR	SHEET: 1 OF 1	DESCRIPTION: POD EXTENSION
	REVISION: B	SCALE: NTS	Drawing Type: Assembly Drawing
		MATERIAL: A36, A53	 ORLAND PARK, IL. 60462 U.S.A.
	FINISH: Galv A123		