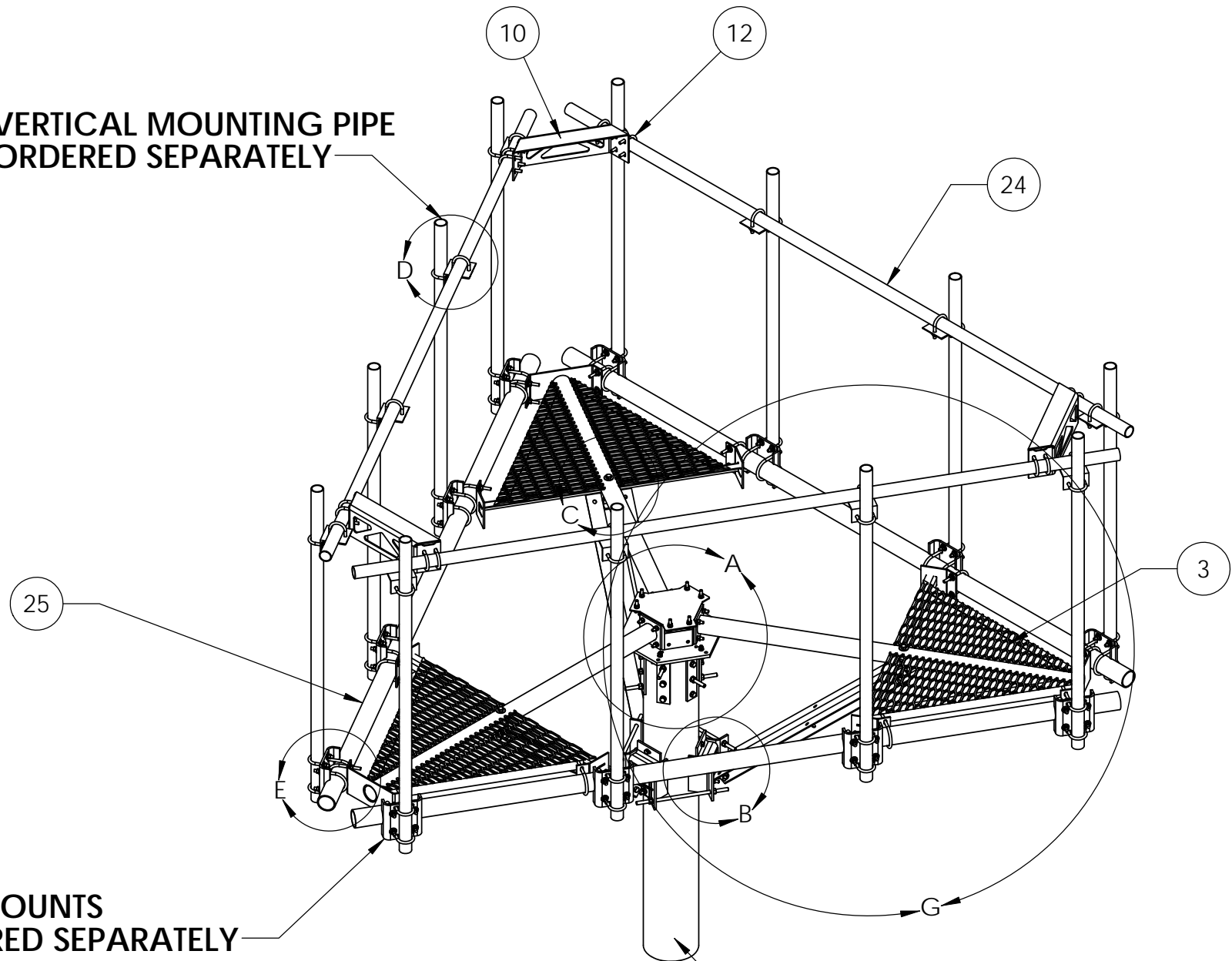


ITEM	PART NO.	DESCRIPTION	QTY.	WEIGHT
1	WPTH1201	TOP HAT WELDMENT	1	63.83 LBS
2	WPTH1202	KICKER SUPPORT WELDMENT	3	4.05 LBS
3	WPTH1203	ARM WELDMENT	3	106.36 LBS
4	WPTH1204	WP-TH Cap Mounting Angle	3	1.04 LBS
5	WPTH1223	KICKER MOUNT BRACKET	3	1.38 LBS
6	WPTH1224	Kicker Angle	6	19.21 LBS
7	WPTH1225	COVER	1	7.05 LBS
8	MTC9600.11	ANGLE BRACKET	6	3.89 LBS
9	MTC9313.01	WOODPOLE RINGMOUNT SECTION	3	17.57 LBS
10	MT19525	Corner Weldment	3	14.76 LBS
11	XA2020.01	CROSS OVER ANGLE	12	2.65 LBS
12	GUB-4240	1/2" X 2-1/2" X 4" GALV U-BOLT	36	0.56 LBS
13	GUB-4356	1/2" X 3-5/8" X 6" GALV U-BOLT	12	0.82 LBS
14	MT-382-18	5/8" X 18" GALV THREADED ROD	9	1.55 LBS
15	GLS-0530	5/8" X 3" GALV LAG BOLT	12	0.32 LBS
16	GB-05505	5/8" X 5" GALV BOLT KIT	9	0.52 LBS
17	GWF-05	5/8" GALV FLAT WASHER	3	0.03 LBS
18	GWL-05	5/8" GALV LOCK WASHER	24	0.00 LBS
19	GN-05	5/8" GALV HEX NUT	12	0.04 LBS
20	GB-0420A	1/2" X 2" GALV BOLT KIT (A325)	42	0.16 LBS
21	GWF-04	1/2" GALV FLAT WASHER	18	0.03 LBS
22	GLS-0430	1/2" X 3" GALV LAG SCREW	3	0.20 LBS
23	GWL-04	1/2" GALV LOCK WASHER	3	0.00 LBS
24	MT-651-150	Ø 2.375" OD x 150" PIPE	3	45.42 LBS
25	MT216.01	Ø 3.5" O.D. X 150" PIPE	3	95.04 LBS

REVISIONS				
REV.	ZONE	DESCRIPTION	BY	DATE
A		INITIAL RELEASE	MSM	09/19/12

**VERTICAL MOUNTING PIPE
ORDERED SEPARATELY**



**PIPE MOUNTS
ORDERED SEPARATELY**

EXISTING WOOD POLE

NOTES:
 1. ALL METRIC DIMENSIONS ARE IN BRACKETS.
 2. FIT WOOD POLE OD'S 7" - 14".

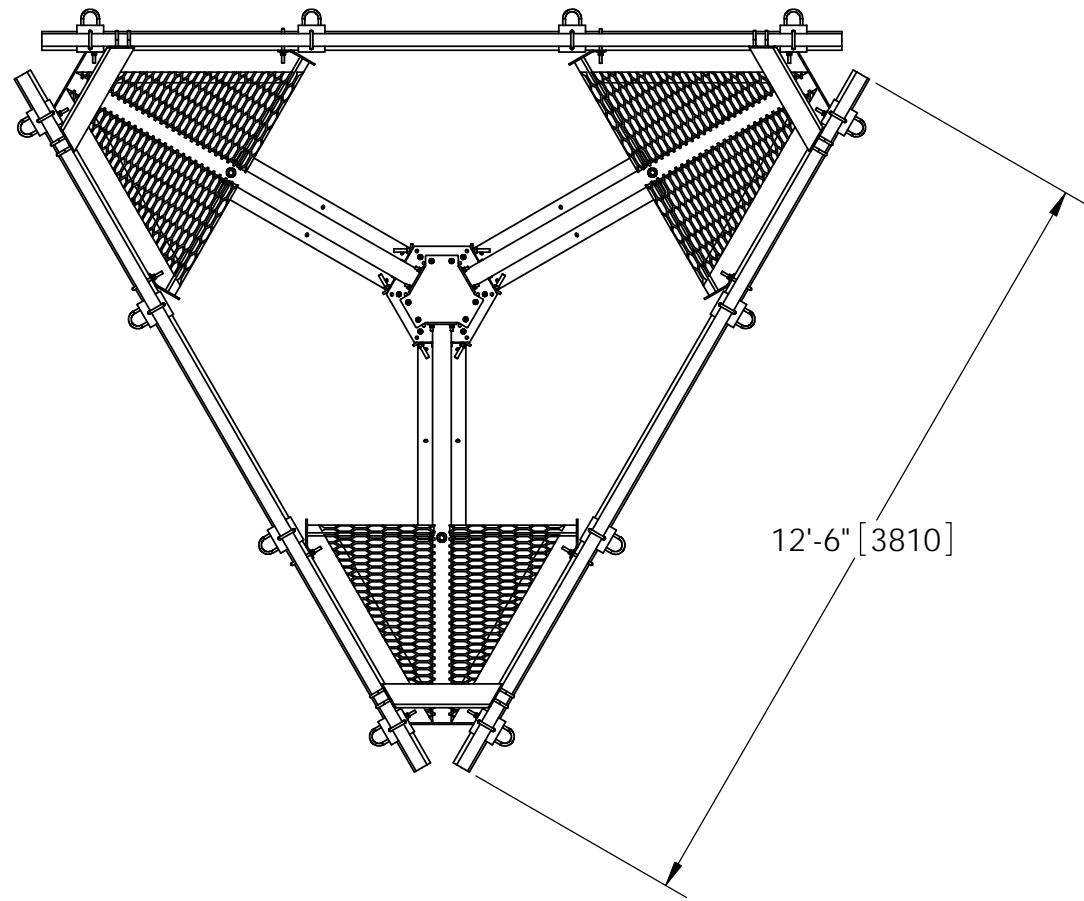
These drawings and specifications are the proprietary property of CommScope Inc. and may be used only for the specific purpose authorized in writing by CommScope Inc.

ALL DIMENSIONS ARE IN INCHES U.O.S.
 TOLERANCES UNLESS OTHERWISE SPECIFIED:
 .X = ± .12 ANGLES ±2°
 .XX = ± .06 FRACTIONS ±1/32
 .XXX = ± .03

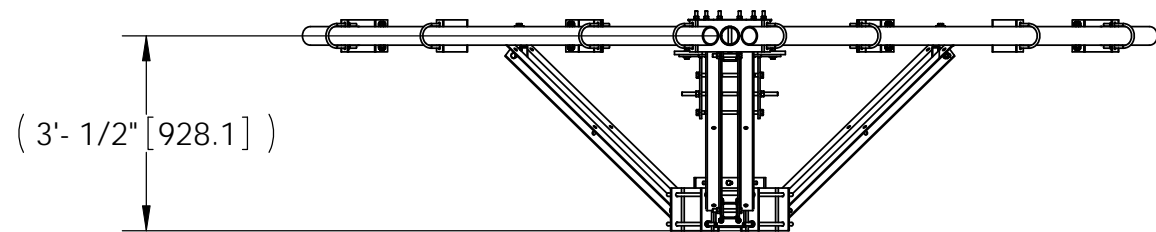
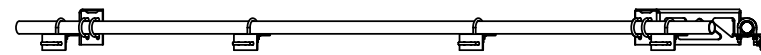
REMOVE BURRS AND BREAK EDGES .005

DO NOT SCALE THIS PRINT

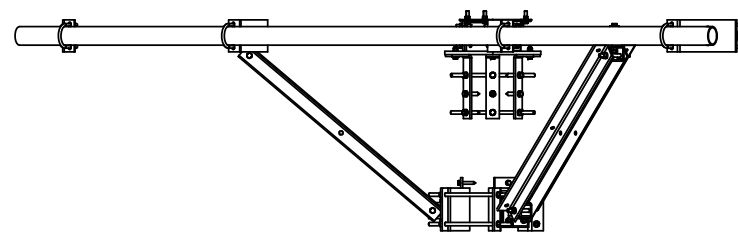
DRAWN BY: MSM	SHEET: 1 of 4	PART NUMBER: WP-TH12-B
CHECKED BY: TP	SCALE: NTS	DESCRIPTION: WOOD POLE TOP HAT
DATE: 06/06/12	MATERIAL: A36, A500, A529	DRAWING TYPE: ASSEMBLY DRAWING
REVISION: A	FINISH: GALV A123	COMMSCOPE® Hickory, NC 28602 U.S.A.
	WEIGHT: 1695.71 LBS	



12'-6" [3810]



(3'- 1/2" [928.1])



These drawings and specifications are the proprietary property of CommScope Inc. and may be used only for the specific purpose authorized in writing by CommScope Inc.

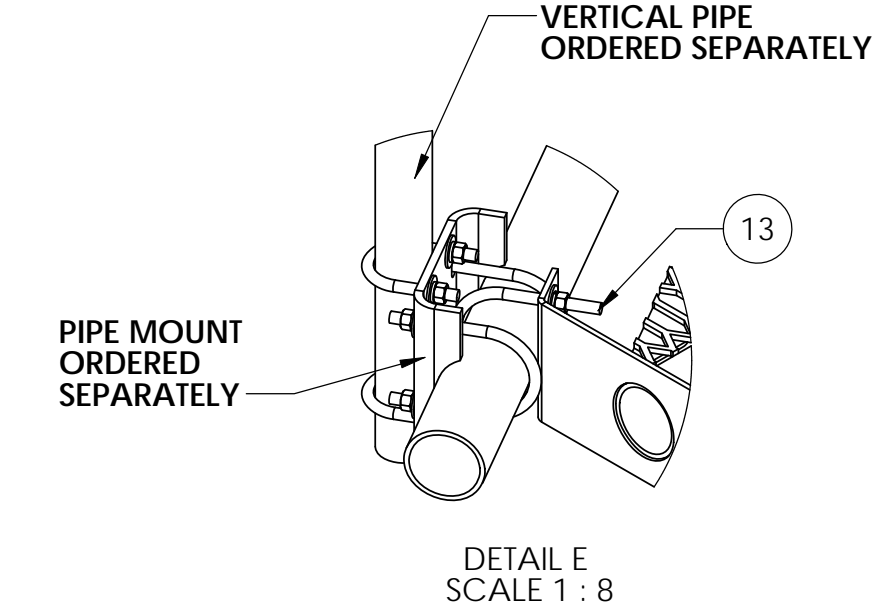
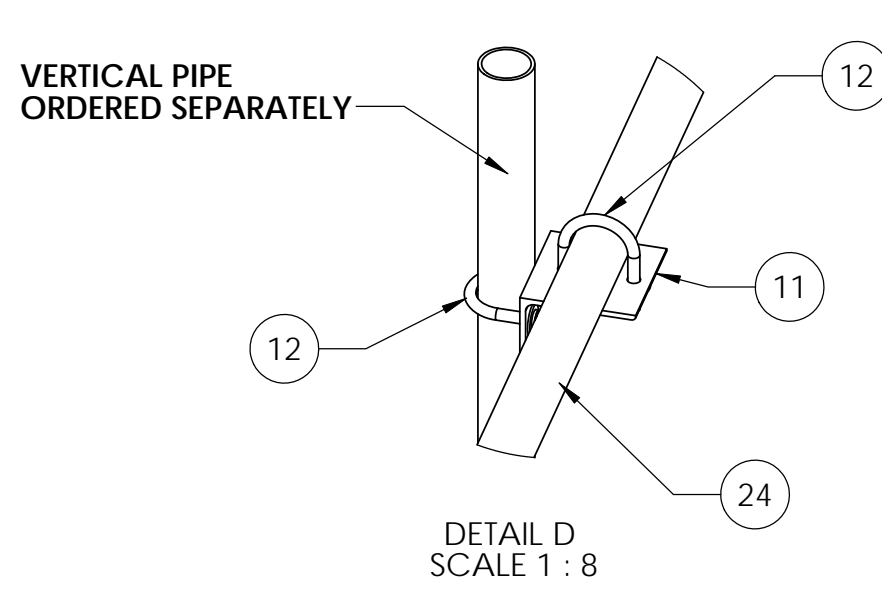
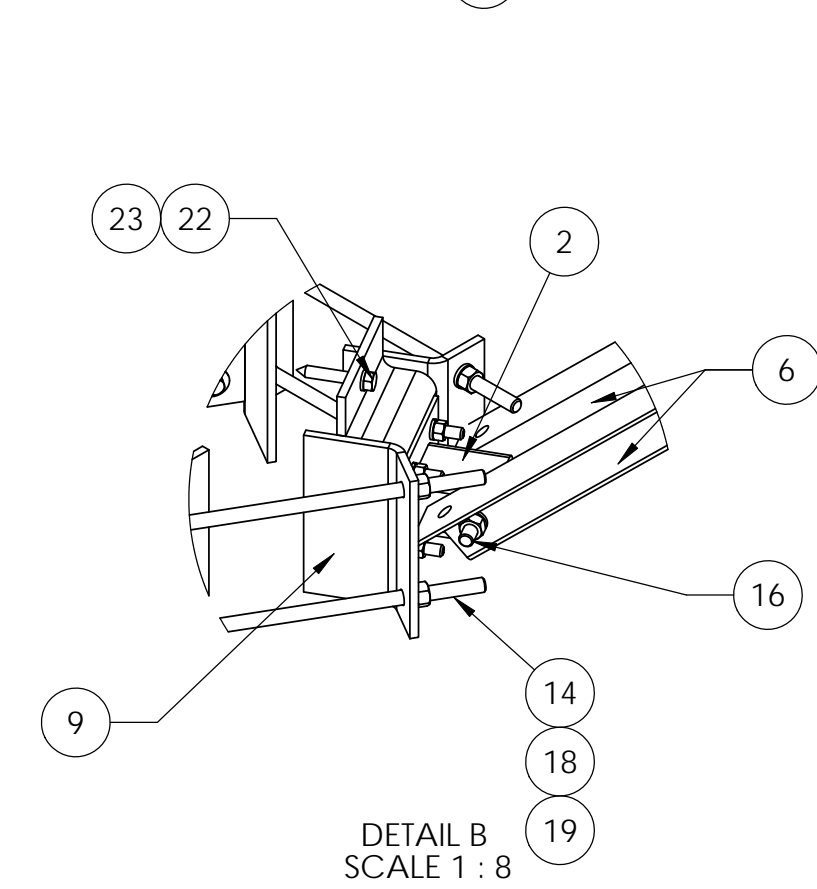
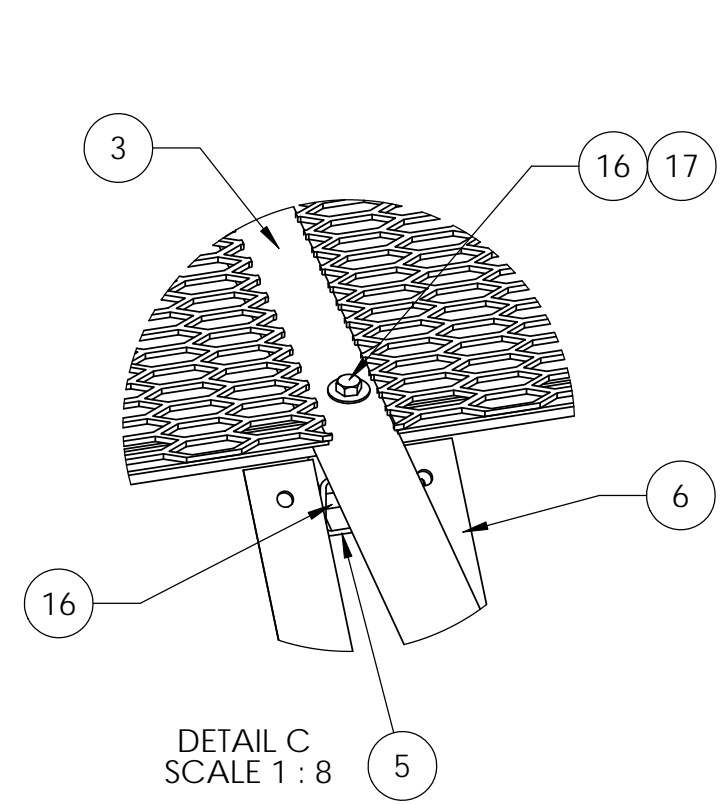
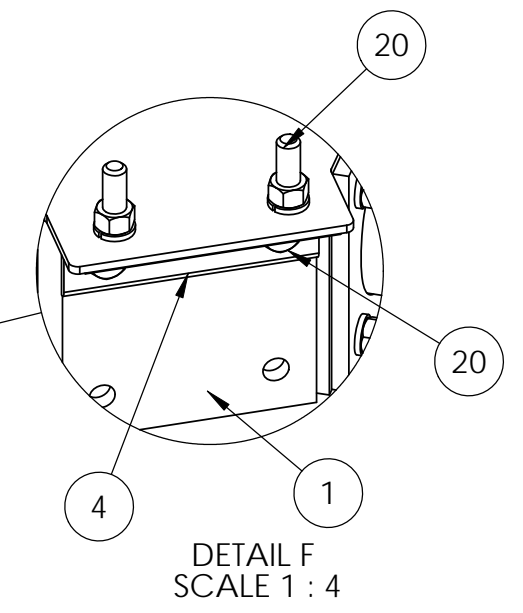
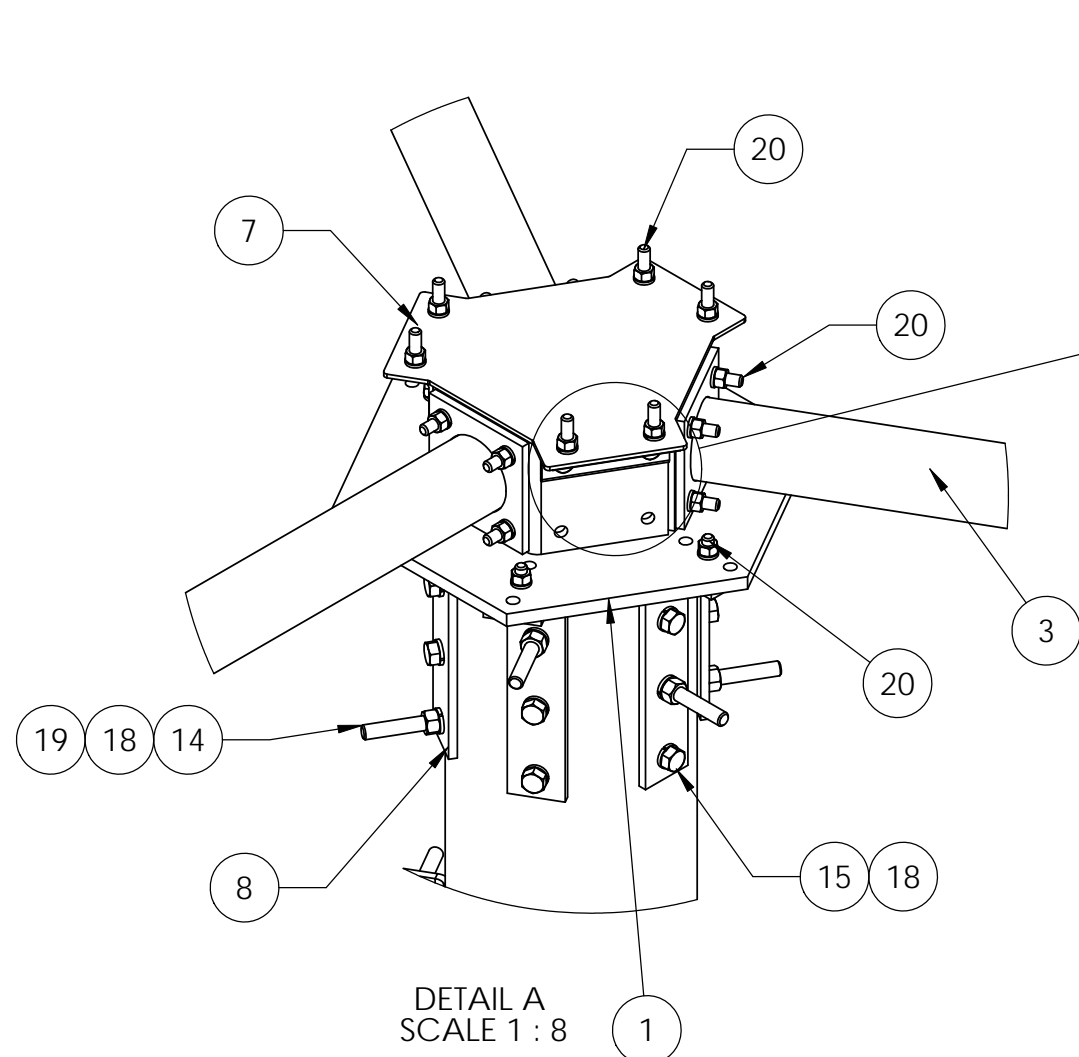
ALL DIMENSIONS ARE IN INCHES U.O.S.
TOLERANCES UNLESS OTHERWISE SPECIFIED:
.X = ± .12 ANGLES ±2°
.XX = ± .06 FRACTIONS ±1/32
.XXX = ± .03

REMOVE BURRS AND BREAK EDGES .005

DO NOT SCALE THIS PRINT

DRAWN BY: MSM	SHEET: 2 of 4
CHECKED BY: TP	SCALE: NTS
DATE: 06/06/12	MATERIAL: A36, A500, A529
REVISION: A	FINISH: GALV A123
	WEIGHT: 1695.71 LBS

PART NUMBER: WP-TH12-B
DESCRIPTION: WOOD POLE TOP HAT
DRAWING TYPE: ASSEMBLY DRAWING
COMMScope® Hickory, NC 28602 U.S.A.



These drawings and specifications are the proprietary property of CommScope Inc. and may be used only for the specific purpose authorized in writing by CommScope Inc.

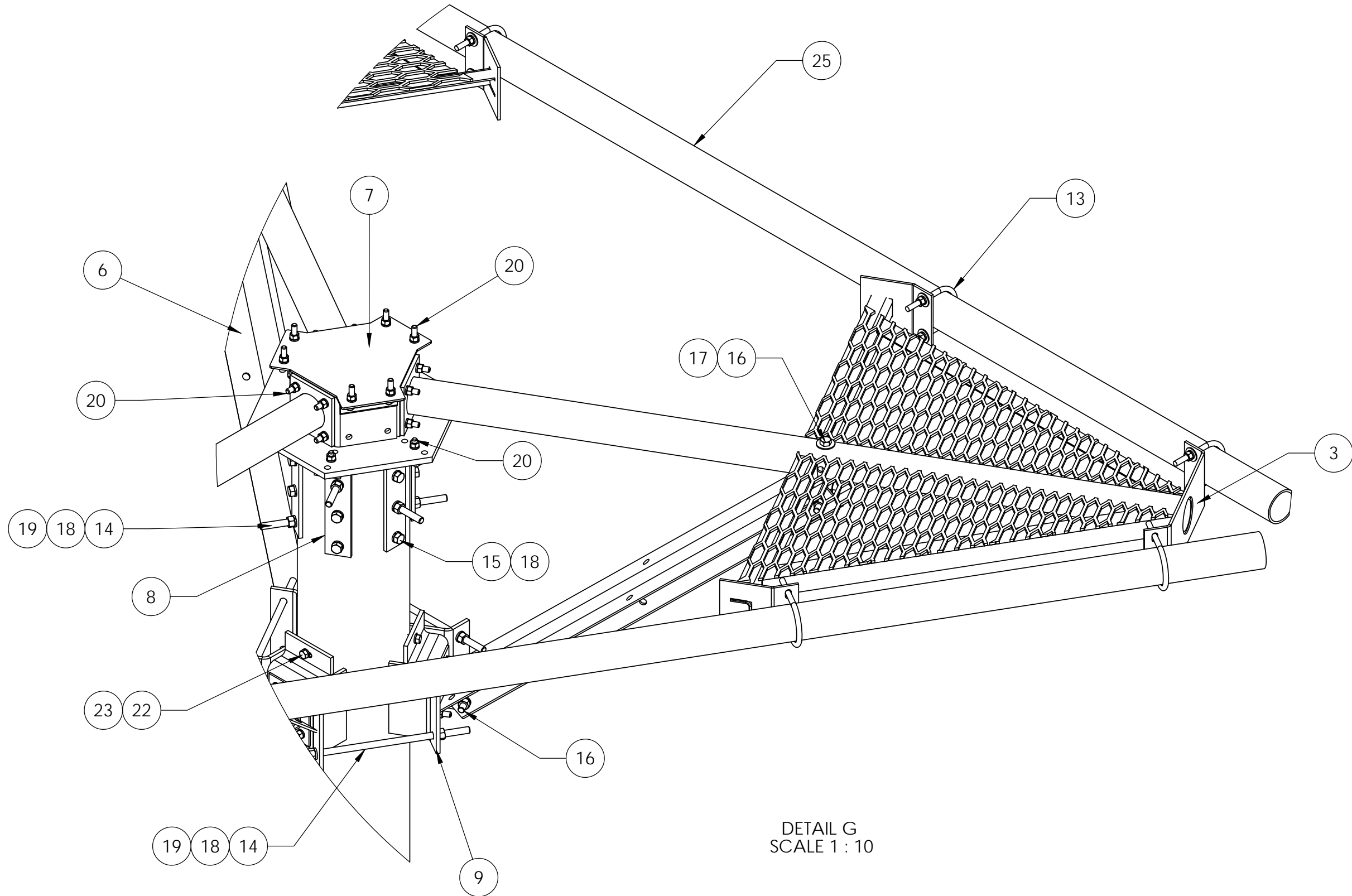
ALL DIMENSIONS ARE IN INCHES U.O.S.
TOLERANCES UNLESS OTHERWISE SPECIFIED:
.X = ± .12 ANGLES ±2°
.XX = ± .06 FRACTIONS ±1/32
.XXX = ± .03

REMOVE BURRS AND BREAK EDGES .005

DO NOT SCALE THIS PRINT

DRAWN BY: MSM	SHEET: 3 of 4
CHECKED BY: TP	SCALE: NTS
DATE: 06/06/12	MATERIAL: A36, A500, A529
REVISION: A	FINISH: GALV A123
	WEIGHT: 1695.71 LBS

PART NUMBER: WP-TH12-B
DESCRIPTION: WOOD POLE TOP HAT
DRAWING TYPE: ASSEMBLY DRAWING
COMMSCOPE® Hickory, NC 28602 U.S.A.



DETAIL G
SCALE 1 : 10

<p>These drawings and specifications are the proprietary property of CommScope Inc. and may be used only for the specific purpose authorized in writing by CommScope Inc.</p> <p>ALL DIMENSIONS ARE IN INCHES U.O.S. TOLERANCES UNLESS OTHERWISE SPECIFIED: .X = ± .12 ANGLES ±2° .XX = ± .06 FRACTIONS ±1/32 .XXX = ± .03</p> <p>REMOVE BURRS AND BREAK EDGES .005</p> <p>DO NOT SCALE THIS PRINT</p>	<p>DRAWN BY: MSM</p>	<p>SHEET: 4 of 4</p>	<p>PART NUMBER: WP-TH12-B</p>
	<p>CHECKED BY: TP</p>	<p>SCALE: NTS</p>	<p>DESCRIPTION: WOOD POLE TOP HAT</p>
	<p>DATE: 06/06/12</p>	<p>MATERIAL: A36, A500, A529</p>	<p>DRAWING TYPE: ASSEMBLY DRAWING</p>
	<p>REVISION: A</p>	<p>FINISH: GALV A123</p>	<p>WEIGHT: 1695.71 LBS</p>
		<p>COMMSCOPE® Hickory, NC 28602 U.S.A.</p>	