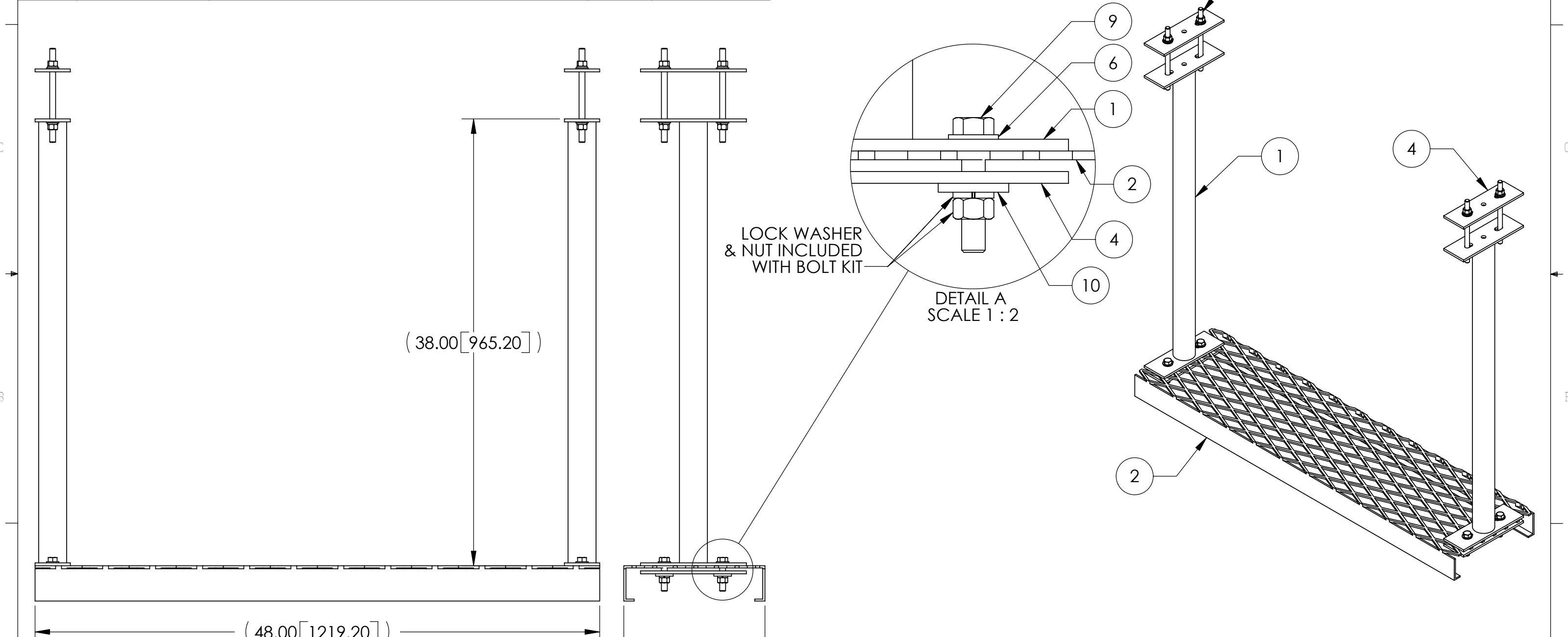



ITEM	PART NO.	DESCRIPTION	QTY.	WEIGHT
1	WP197.01	WORK SUPPORT UPRIGHT	2	14.99 LBS
2	WP198.01	SAFETY GRATING 12" X 48"	1	26.47 LBS
3	WP197HK	HARDWARE KIT (ITEMS 4-10)	1	
4	WP197.04	BACKING PLATE	4	1.819 LBS
5	MT-379-8	1/2" X 8" GALV THREADED ROD	4	0.44 LBS
6	GWF-04	1/2" GALV FLAT WASHER	12	0.02 LBS
7	GWL-04	1/2" GALV LOCK WASHER	8	0.01 LBS
8	GN-04	1/2" GALV HEX NUT	8	0.04 LBS
9	GB-0424A	1/2" X 2-1/2" GALV BOLT KIT (A325)	4	0.19 LBS
10	MT-388	SQUARE WASHER, 1 1/2" X 1 1/2" W/ 9/16" HOLE	4	0.11 LBS

REVISIONS				
REV.	ZONE	DESCRIPTION	BY	DATE
A		INITIAL RELEASE	CAM	01/22/02
B		UPDATE PART LIST	ACG	06/30/04
C		UPDATE PART LIST	ACG	01/28/05
D		ADDED DETAIL FOR BOLT	ACG	02/07/05
E		REPLACE MT-386 TO MT-388	ACG	08/15/05



NOTES:  
 1. ALL METRIC DIMENSIONS ARE IN BRACKETS.

<small>These drawings and specifications are the proprietary property of ANDREW CORPORATION and may be used only for the specific purpose authorized in writing by Andrew Corporation.</small> <small>ALL DIMENSIONS ARE IN INCHES U.O.S.</small> <small>TOLERANCES UNLESS OTHERWISE SPECIFIED:</small> .X = ± .06      ANGLES      ±2° .XX = ± .03      FRACTIONS      ±1/32 .XXX = ± .010 <small>REMOVE BURRS AND BREAK EDGES .005</small> <b>DO NOT SCALE THIS PRINT</b>	<small>DRAWN BY:</small> ACG	<small>SHEET:</small> 1 of 1	<small>PART NUMBER:</small> WP-198
	<small>CHECKED BY:</small> TP	<small>SCALE:</small> NTS	<small>DESCRIPTION:</small> 48" WORK SUPPORT PLATFORM
	<small>DATE:</small> 08/15/05	<small>MATERIAL:</small> A36, A53, A568	<small>DRAWING TYPE:</small> ASSEMBLY DRAWING
	<small>REVISION:</small> E	<small>FINISH:</small> GALV A123  <small>WEIGHT:</small> 67.58 LBS	 ORLAND PARK, IL. 60462 U.S.A.